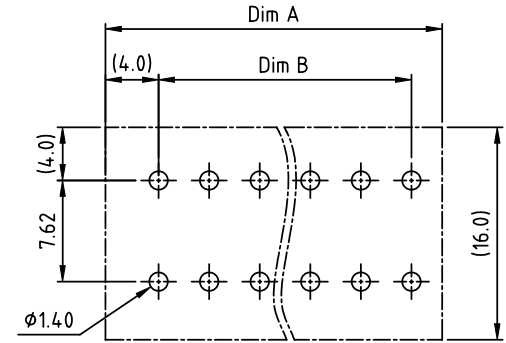
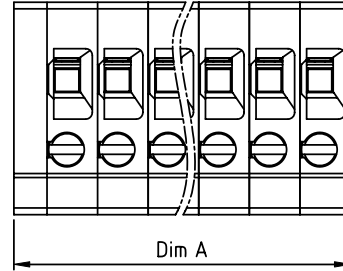
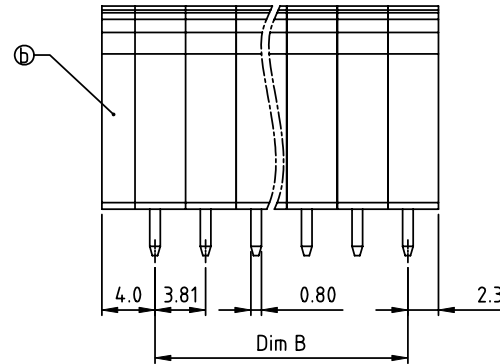
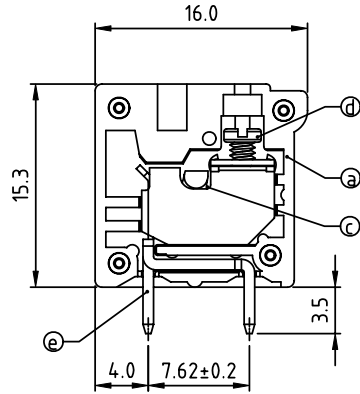


PRODUCT NUMBER	PITCH
TRxx35x000J0G	3.81 mm



RECOMMENDED P.C.B LAYOUT
TOP VIEW



- Material:
- Item ① Terminal housing: Thermoplastic (UL94V-0)
 - Item ② Terminal cover: Thermoplastic (UL94V-0)
 - Item ③ Metal housing: Steel, Zinc plated
 - Item ④ Terminal screw: Steel Zinc plating "-" slot type.
 - Item ⑤ Solder pin: Brass, Tin plated.

- Electrical: cULus
- Voltage rating: 300V
 - Current rating: 8A
 - Wire range:
 - Solid wire(AWG): 16-26
 - Stranded wire(AWG): 16-26
 - Torque: 2Lb-In.
 - Screw: M2
 - Wire strip length: 8-9mm
 - Withstanding Voltage: 1.6KV
 - Operating temperature: -40°C to +115°C
 - Soldering temperature: 260°C±5°C/5 Sec
 - Safety Approval:

N = Number of poles
Dim A=Nx3.81+2.5
Dim B=(N-1)x3.81

Poles	Tolerance
1p	±0.10
2p-6p	±0.15
7p-12p	±0.25
13p-18p	±0.35
19p-24p	±0.40

PART NO.: TR xx 3 5 x 0 00J0 G

End stackable	0	Body Color	Black (RAL9005)	RoHS compliant
No. of poles	2		Red (RAL3001/D)	(lead<4%)
01 1 pole	3		Orange(RAL2011/P)	In copper Alloy
02 2 poles	4		Yellow(RAL1018/A)	
... ..	5		Green(RAL6018/T)	
24 24 poles	6		Blue (RAL5015/A)	
	8		Grey(RAL7035/D)	
	9		White(RAL1102)	
	C		Green(RAL6018/U)	

mat'l. code		surface ASME Y14.5	tolerance ASME Y14.5	projection	product family TERMINAL BLOCK
ltr	ecn no	dr	date	 MM	title TERMINAL BLOCK
tolerances unless otherwise specified					
angles		X.±0.5		scale	WIRE PROTECTOR,90D WIRE INLET dwg no TRxx35x000J0G sheet 1 of 1 size A4
X*±1°		X.XX±0.1			
dr	ENGR	chr	appd		type CUSTOMER Drawing
EVIN ZHONG	040114	HANKE FENG	SHI JUN		
EVIN ZHONG	040114	HANKE FENG	SHI JUN		
HANKE FENG	040114	SHI JUN	040114		
sheet index	revision sheet	A	1		