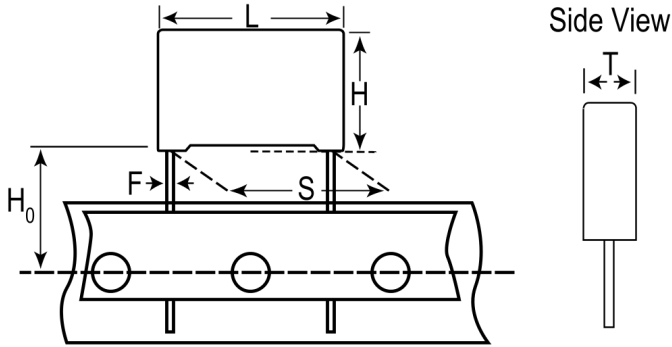


R533R4180CKP0K

Aliases (533R4180CKP0K)

R53 X2 310 VAC, Film, Metallized Polypropylene, Automotive Safety, 1.8 uF, 10%, 310 VAC (X2), 630 VDC, 110°C, Lead Spacing = 27.5mm



Click [here](#) for the 3D model.

Dimensions

L	32mm +0.5/-0.7mm
H	20mm +0.3/-0.7mm
T	11mm +0.3/-0.7mm
S	27.5mm +/-0.4mm
H0	18.5mm +/-0.5mm
F	0.8mm +/-0.05mm

Packaging Specifications

Packaging Quantity	350
--------------------	-----

General Information

Series	R53 X2 310 VAC
Dielectric	Metallized Polypropylene
Style	Radial
Features	Automotive Grade, EMI Safety
RoHS	Yes
Lead	Wire Leads
Safety Class	X2
Qualifications	ENEC, UL, cUL, CQC, AEC-Q200
AEC-Q200	Yes
THB Performance	Yes
Component Weight	8.8 g

Specifications

Capacitance	1.8 uF
Capacitance Tolerance	10%
Voltage AC	310 VAC (X2)
Voltage DC	630 VDC
Temperature Range	-40/+110°C
Rated Temperature	110°C
Dissipation Factor	0.2% 1kHz
Insulation Resistance	16.6667 GOhms
Max dV/dt	150 V/us