

## Enlarger

MxxPGxx/OME

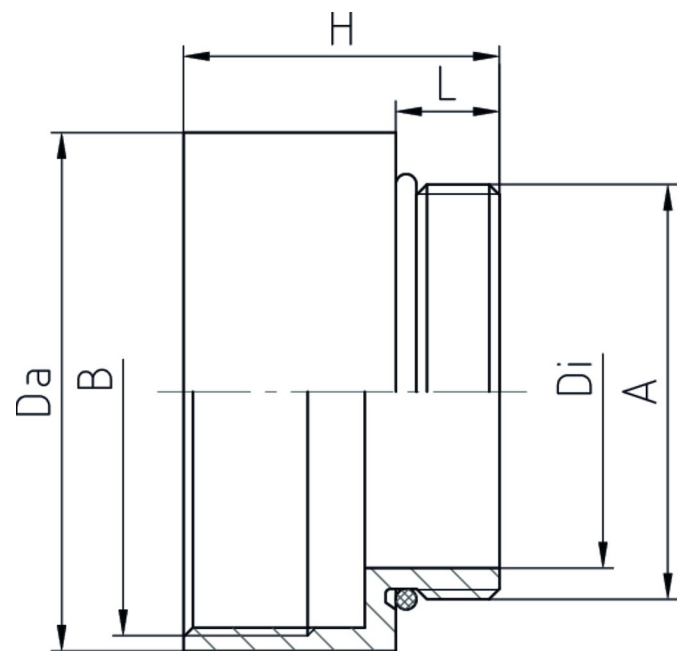
|                        |                                |
|------------------------|--------------------------------|
| <b>Enlarger</b>        | Brass CuZn39Pb3, nickel-plated |
| <b>O-ring</b>          | Nitrile rubber NBR             |
| <b>External thread</b> | metric, as per EN 60423        |
| <b>Internal thread</b> | Pg as per DIN 40430            |




## Properties

|                          |   |
|--------------------------|---|
| <b>Temperature range</b> | -40 °C<br>+100 °C   |
| <b>Protection grade</b>  | max. IP68<br>dependent on the combination with other components |

- adapter for enlarging metric to Pg-threaded holes



## Features

| A       | B     | L | H    | Da | Di |  VPE | Part No.   |
|---------|-------|---|------|----|----|--|------------|
| M12x1,5 | Pg 9  | 5 | 16   | 17 | 8  | 100  | M12PG9/OM  |
| M16x1,5 | Pg 11 | 5 | 16,5 | 20 | 12 | 100  | M16PG11/OM |
| M20x1,5 | Pg 16 | 6 | 19,5 | 24 | 15 | 100  | M20PG16/OM |
| M25x1,5 | Pg 21 | 7 | 21,5 | 30 | 21 | 50   | M25PG21/OM |
| M32x1,5 | Pg 29 | 8 | 25   | 39 | 26 | 50   | M32PG29/OM |
| M40x1,5 | Pg 36 | 8 | 28,5 | 50 | 34 | 25   | M40PG36/OM |
| M50x1,5 | Pg 42 | 9 | 32   | 57 | 44 | 10   | M50PG42/OM |
| M50x1,5 | Pg 48 | 9 | 33   | 64 | 44 | 10   | M50PG48/OM |