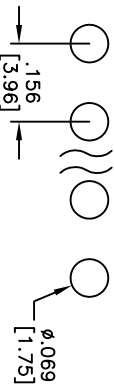
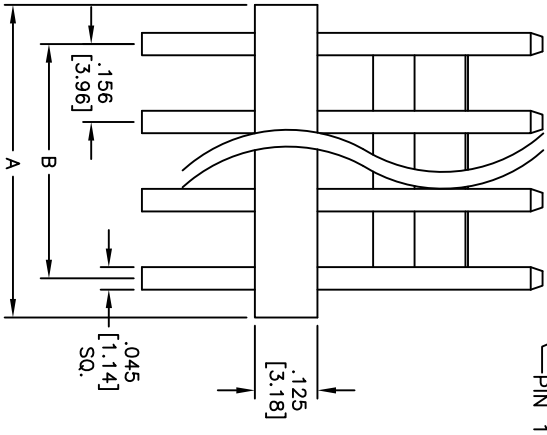
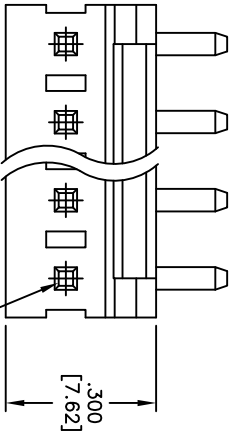
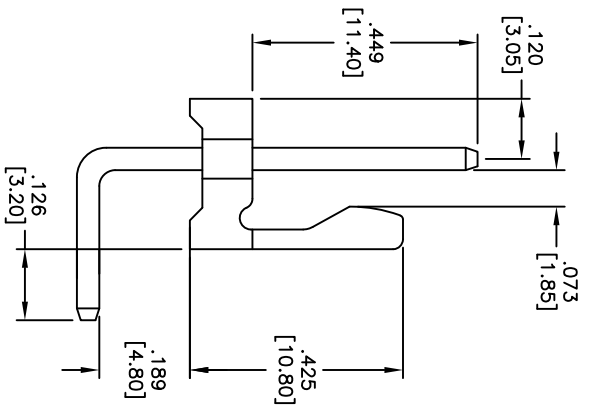


APPROVED: _____
 DATE: _____ TITLE: _____

Rev	AWO #	Description	Date	Appr
-		RELEASED	6/17/11	
A		REVISED SHAPE	7/24/13	
B		REVISED DIM.	2/17/14	AY/MY



RECOMMENDED PCB LAYOUT



Positions: 2 thru 20
 A = .156 [3.96] x No. of Positions
 B = .156 [3.96] x No. of Spaces

SPECIFICATIONS:
 Material: PA66, glass reinforced, rated UL 94V-2
 Insulator color: White
 contact: Brass, Tin plated
 Electrical:
 Current rating: 7 Amps max
 Contact resistance: 20mohms max
 Insulation resistance: 1,000 Mohms min
 Dielectric withstanding voltage: 1,000 VAC for 1 minute
 Temperature Rating:
 Operating temperature: -40°C to +85°C
 Environmental:
 Lead free, RoHS compliant

ADAM TECH
 909 Railway Avenue, Union, NJ 07083
 Phone: 908-687-5000 Fax: 908-687-5710

ADAM TECH
 909 Railway Avenue, Union, NJ 07083
 Phone: 908-687-5000 Fax: 908-687-5710



ADAM TECH
 909 Railway Avenue, Union, NJ 07083
 Phone: 908-687-5000 Fax: 908-687-5710

UNLESS OTHERWISE SPECIFIED ALL DIMENSIONS ARE INCHES [MM] TOLERANCES: EXCEPT AS NOTED		TITLE	
.X ± .10 INCHES	ØX ± .10 HOLE	.156 [3.96] HEADER, REVERSE RIGHT ANGLE	
.XX ± .020	ØXX ± .015	SIZE	PART NO.
.XXX ± .015	ØXXX ± .010	X	LHD-XX-TRB
APPROVALS	DATE	REF: S0009C	SCALE: NTS
DRAWN	DY	6/17/11	SHEET 1 OF 1
CHECKED			REV. B
APPROVED			