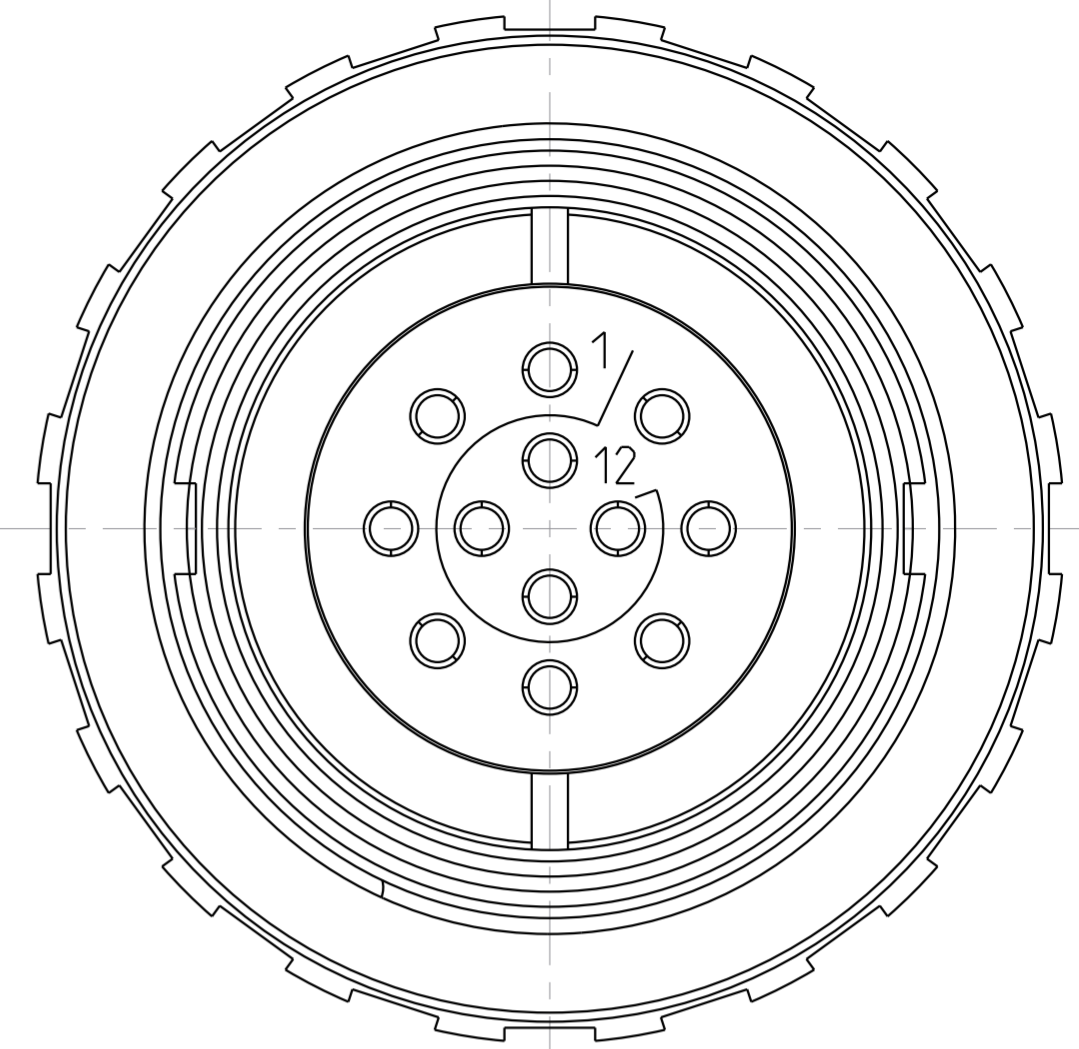
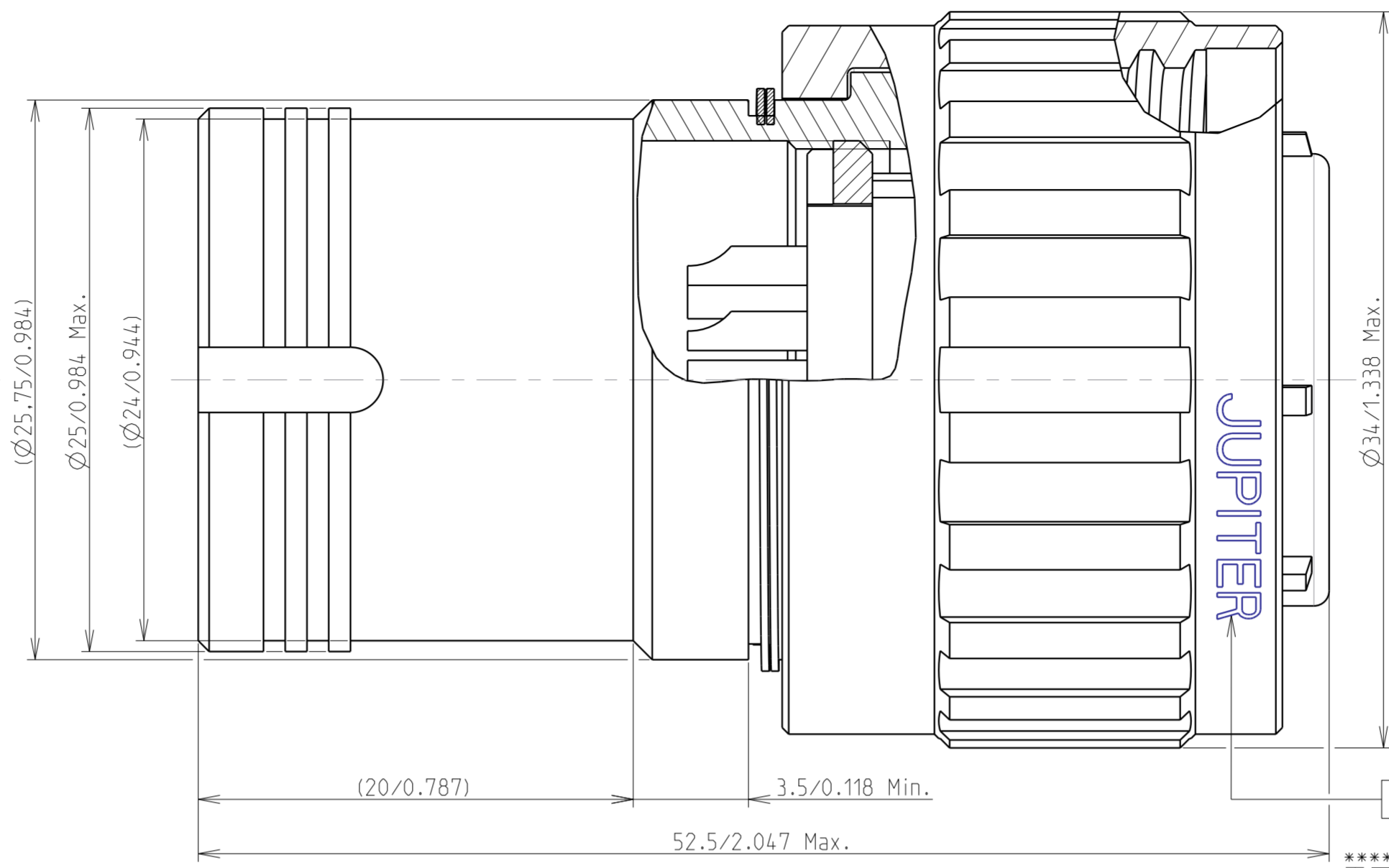
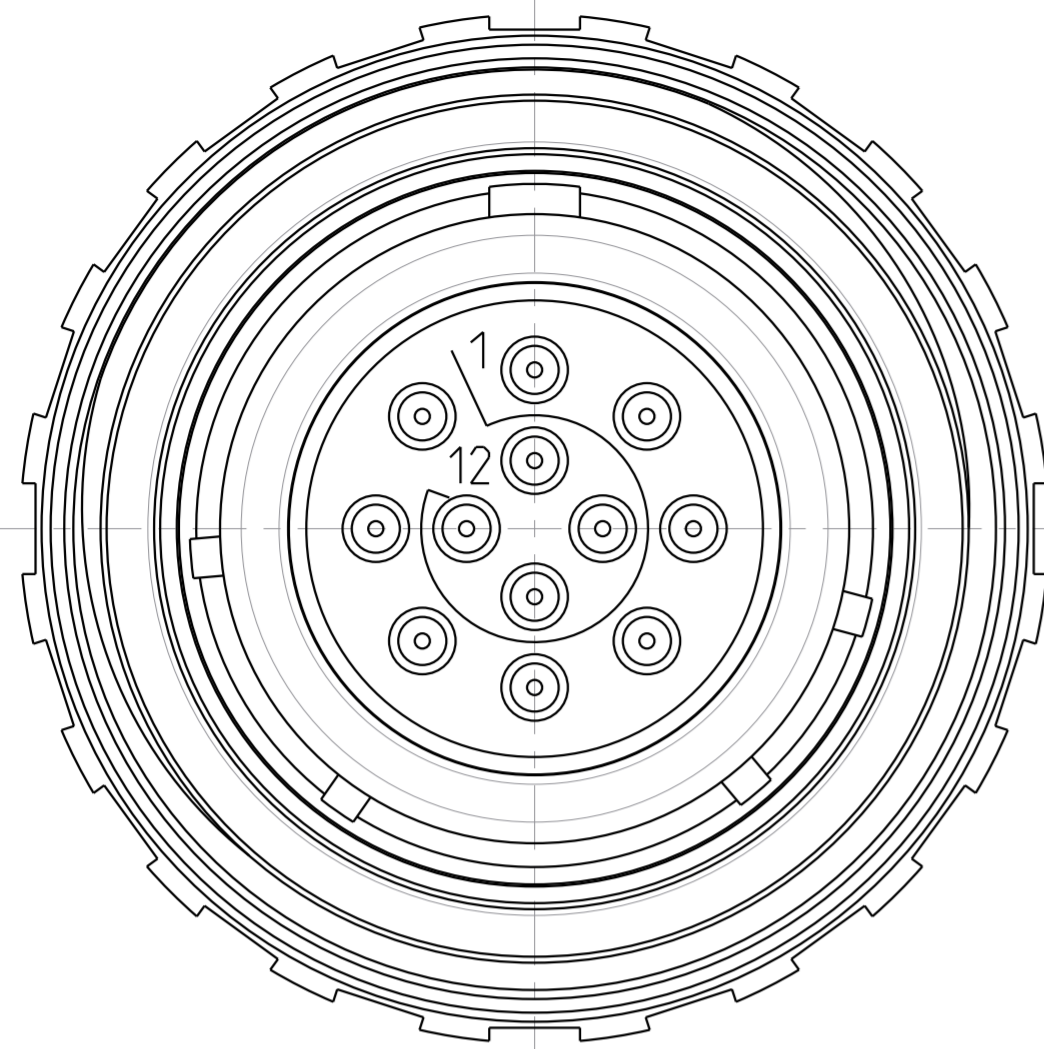


A.5: Validé

Country	Jurisdiction & Control List
FR	NOT LISTED

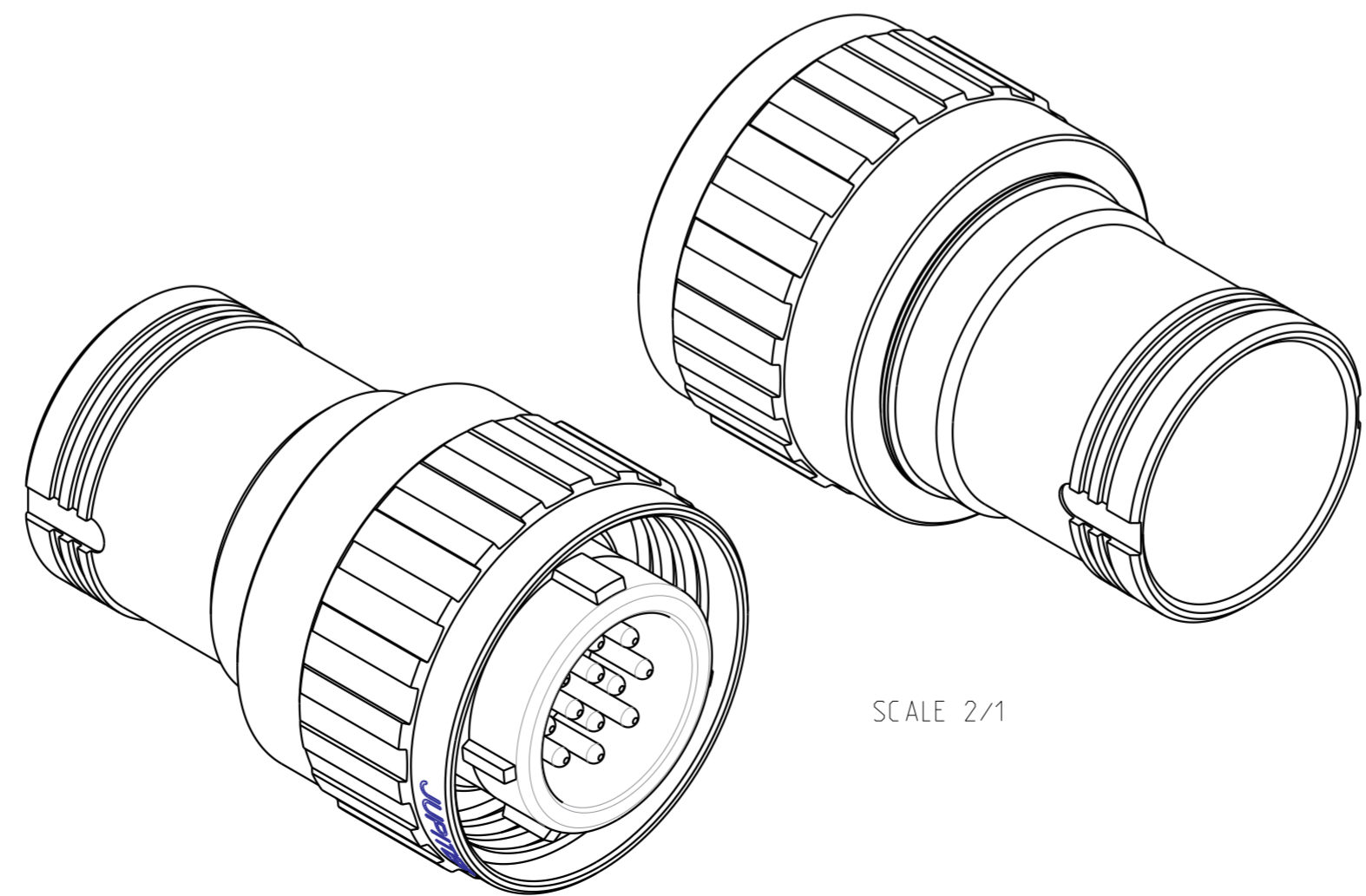
	critical dimension
	major dimension



MARQUAGE/MARKING
 **** JUPITER FR FED14PLY
 SEMAINE/WEEK
 ANNEE/YEAR

**REFERENCE COMMERCIALE
 PART NUMBER**
 FEDM14PLN1216SAY

TYPE DE CONTACT/CONTACT TYPE
 M:MALE/PIN F:FEMELLE/SOCKET
 MATIERE DE L'ISOLANT/INSERT MATERIAL
 N:PA6/6-MOS2(NYLATRON) T:PTFE(TEFLON)
 ARRANGEMENT DES CONTACTS/CONTACT LAYOUTS



SCALE 2/1

A	08/07/16	Initial drawing			ORAIN	MEFFRE	DIFF
Iss	Date	MODIFICATIONS	A C	Designed by	Checked by	MOD N°	
			Naf.				
MATERIAL --			TREATMENT		PROTECTION/PLATING		
--			--		--		
--			--		CODE --		
DIMENSIONS ARE DEFINED BEFORE PLATING							
TITLE		FICHE DROITE FED SA / STRAIGHT PLUG FED SA TYPE				PROJECT	
		SERIE PL - TAILLE 14				PL54	
Material Reference Voir Référence Commerciale / See Part Number							
		Generales tolerances ISO 2768		SOURIAU 3. RUE DU VALLON ZAC N°2 94440 MAROLLES-EN-BRIE (FRANCE) TEL. 33 (0)1 45 10 78 00			
Scale 4/1		General machining Surface texture					
Geometrical Tolerances: NF EN ISO 1101				FORMAT	SOURIAU DRG N°		Iss
This document is the property of SOURIAU it must not be reproduced or communicated without permission.				A2	543F0130A9C		A
							SHEET 1/1