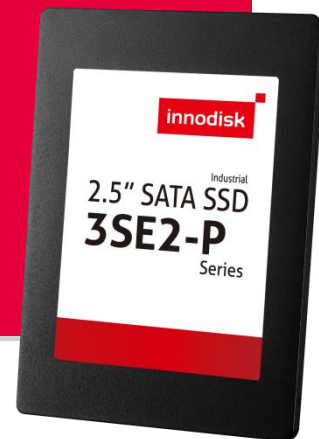


Datasheet

2.5" SATA SSD

3SE2-P_AES series

- 2.5" SATA III solution for industrial field
- Hardware-based AES 256bits key
- iData Guard for abnormal power failure
- iCell technology for data protection (optional)
- Compliant with TCG OPAL 2.0
- Compliant with IEEE 1667
- 9mm height mechanical design
- iSMART disk health monitoring



Introduction

Innodisk 2.5" SATA SSD 3SE2-P is SATA III 6Gb/s flash based disk, which delivers excellent performance, especially in random data transfer rate, which offers reliability making it the ideal solution for a variety of applications, including embedded system, industrial computing, and enterprise field. Innodisk 2.5" SATA SSD 3SE2-P is designed with AES engine, which is built-in the controller. When controller receives the data package from host, AES engine encrypts the data package and save the encrypted data into NAND flash. Thus, unauthorized personal has no access to decrypt the data in NAND flash. Innodisk 2.5" SATA SSD 3SE2-P supports several standard features, including TRIM, NCQ, and S.M.A.R.T and compliant with TCG OPAL 2.0 and IEEE 1667.

2.5" SATA SSD

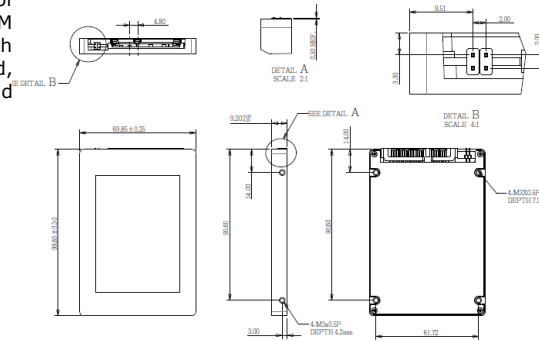
3SE2-P series

Contact us for more information about the 2.5" SATA SSD 3SE2-P

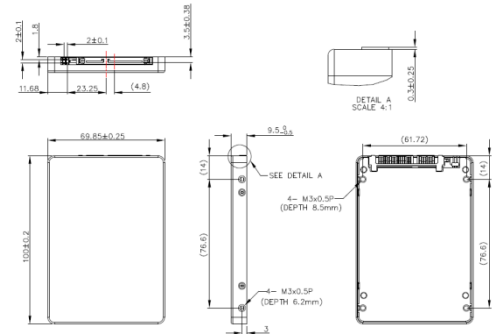
Innodisk is a service-driven provider of industrial embedded flash and DRAM storage products and technologies, with a focus on the industrial/embedded, aerospace and defense, and cloud computing industries.

Drawing

*DES25-XXXD82SXAQX



*DES25-C12D82SXBQX



Specifications

Headquarters (Taiwan)

5F., No.237, Sec. 1, Datong Rd., Xizhi Dist., New Taipei City, Taiwan (R.O.C.)

Tel: +886-2-77033000

Email: sales@innodisk.com

Branch Offices:

USA

usasales@innodisk.com

+1-510-770-9421

Europe

eusales@innodisk.com

+31-40-3045-400

Japan

jpsales@innodisk.com

+81-3-6667-0161

China

sales_cn@innodisk.com

+86-755-21673689

www.innodisk.com

© 2018 Innodisk Corporation. All right reserved. Specifications are subject to change without prior notice.

20181107

Interface	SATA III
Flash Type	SLC
Capacity	8GB~512GB
Max. Channels	4
Sequential R/W (MB/sec, max.)*	520 / 340 MB/s
4KB Random (QD32) R/W (IOPS)	77,000/ 75,000
Max. Power Consumption	4.4W (5V x 881mA)
Thermal Sensor	√
External DRAM Buffer	√
H/W Write Protect	NA
iCell	Optional
ATA Security	√
S.M.A.R.T.	√
DEVSLP Mode	√ (min. power consumption 3mW)
Slumber Mode	√ (min. power consumption 30mW)
Dimension (WxLxH)	69.8 X 99.8 X 9.2 mm
Environment	Vibration: 20G @7~2000Hz Shock: 1500G @ 0.5ms Storage Temperature: -55°C ~ +95°C MTBF: 3 million hours
* Performance based on CystalDiskMark 5.1.2 with file size 1000MB	

Ordering Information

Operation Temp.	8GB	16GB	32GB	64GB	128GB	256GB	512GB
Standard Grade (0°C ~ +70°C)	DES25-08GD82SCAQB(P)	DES25-16GD82SCAQB(P)	DES25-32GD82SCAQB(P)	DES25-64GD82SCAQB(P)	DES25-A28D82SCAQB(P)	DES25-B56D82SCAQB(P)	DES25-C12D82SCBQB
Industrial Grade (-40°C ~ +85°C)	DES25-08GD82SWAQB(P)	DES25-16GD82SWAQB(P)	DES25-32GD82SWAQB(P)	DES25-64GD82SWAQB(P)	DES25-A28D82SWAQB(P)	DES25-B56D82SWAQB(P)	DES25-C12D82SWBQB

*P: reserved for iCell

innodisk

www.innodisk.com