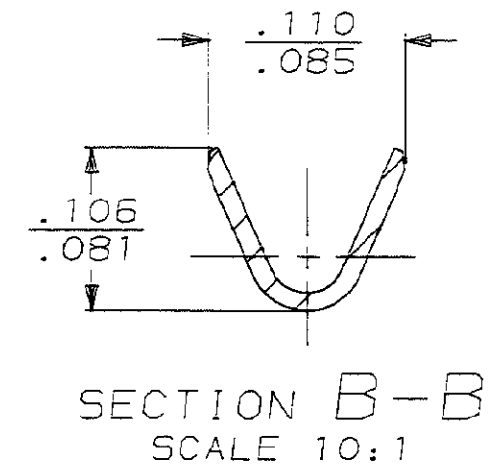
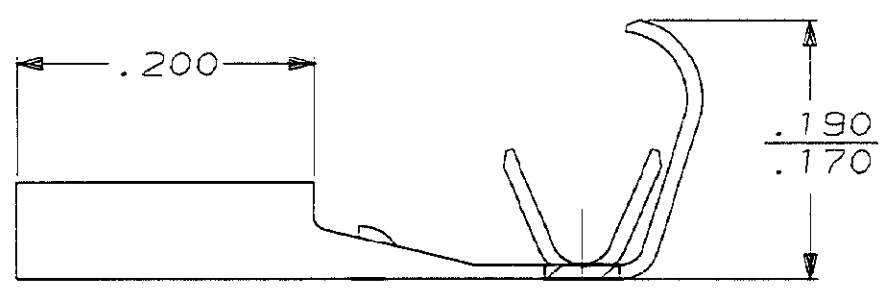
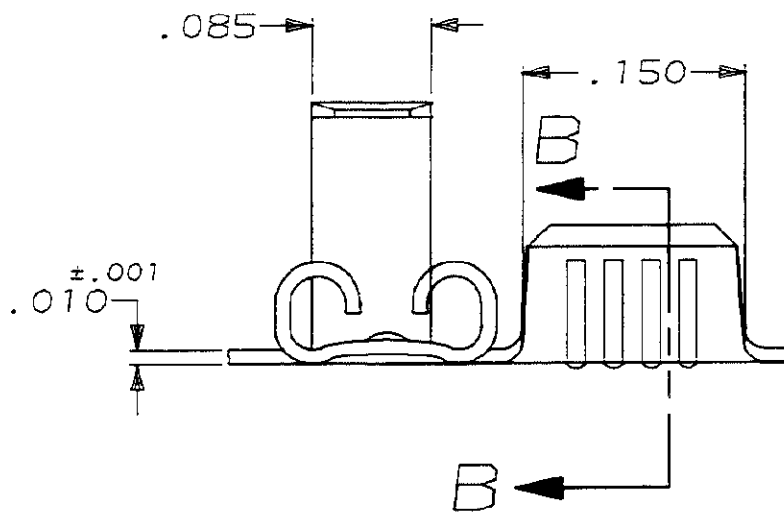
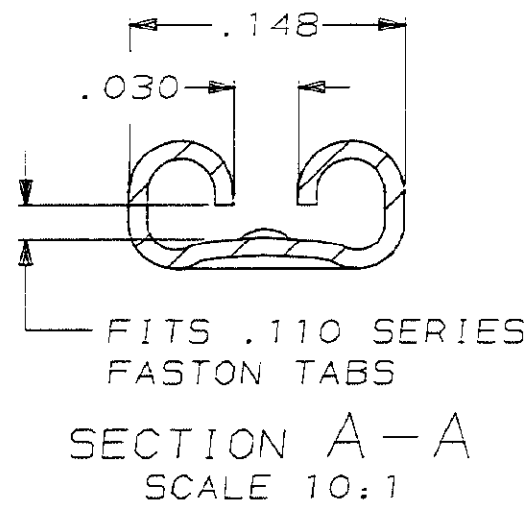
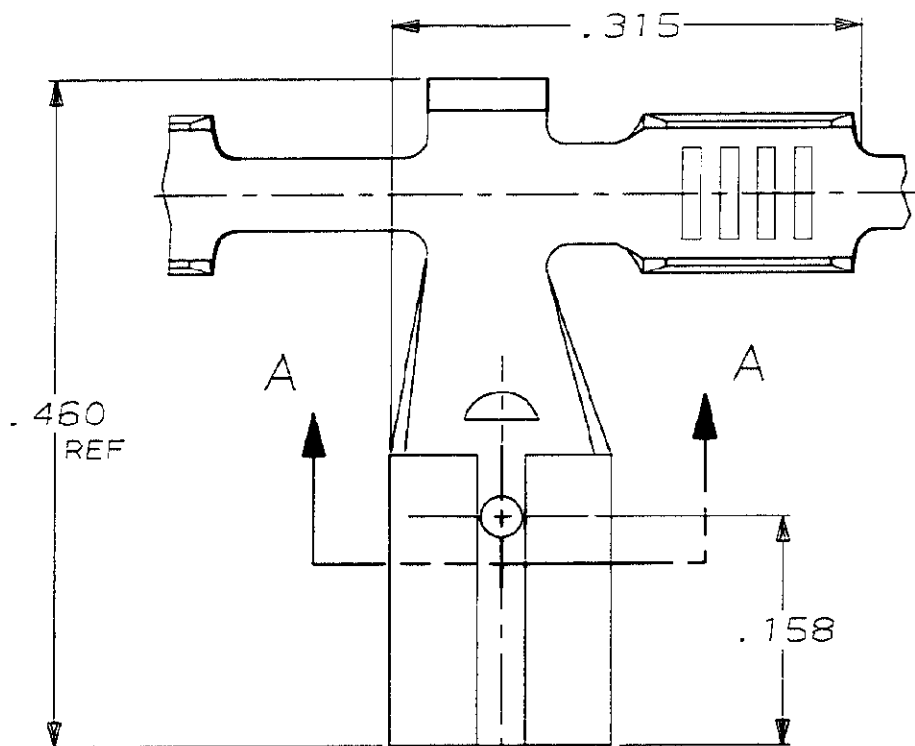


LOC	DIST	P	F	ZONE	LTR	DESCRIPTION	DATE	APPD
AF	50				E	REVISED AF-7794	1/28/92	JR

- 1 CONTINUOUS STRIP ON REELS
- 2 FEED TO BE .430±.005



.065-.100 DIA	22-18 AWG	.025	61530-1		
INSULATION RANGE	WIRE SIZE	MATING TAB THK ±.001	PART NO		
DO NOT SCALE PRINT. UNLESS SPECIFIED. DIMENSIONS ARE IN INCHES. TOLERANCES ON: 2 PLC DEC = - 3 PLC DEC = .015 ANGLES = -	DR 4/24/91 JR RUTH	<b>AMP</b> AMP Incorporated Harrisburg, PA 17105-3608			
	CHK 4/24/91 MS FEHER				
	MATERIAL	APPD 4/24/91 C MEYERS	NAME RECEPTACLE, FASTON, FLAG, .110 SERIES		
	#4H BRASS	APPD 4/24/91 D REINER			
FINISH	PRODUCT SPEC	SIZE	CAGE CODE	DRAWING NO	
PRE-TIN	APPLICATION SPEC	B	00779	61530	
	WEIGHT -	SCALE	8:1	SHEET	1 OF 1