

**MATERIAL AND FINISH:**

Insulator: Polycarbonate, UL-94V-0 rated

Contacts: Brass, Nickel plated

**ELECTRICAL SPECIFICATIONS:**

Inlet Current rating: 10 A 

Fuse Holder Current rating: 6A  6.3A 

Voltage rating: 250 VAC

Insulation resistance: 100 Mohm min.  
at 500 VDC

Dielectric withstanding voltage:  
2000 VAC for one minute





**ORDERING CODE:**


42R35-3  $\frac{2}{1}$   $\frac{2}{2}$  -  $\frac{3}{3}$


- 1) COLOR  
1 = BLACK  
2 = GRAY


2) ELECTRICAL CIRCUIT CONFIGURATION

1 = 10A 250V 70°C  
2+GROUND 1 FUSE 

2 = 10A 250V 70°C  
2+GROUND 2 FUSE 

4 = 10A 250V 120°C  
2+GROUND 2 FUSE 

5 = 10A 250V 70°C  
2 - 1 FUSE 

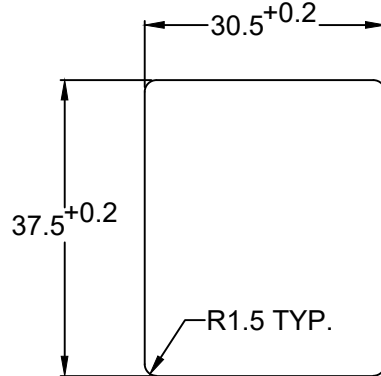
6 = 10A 250V 70°C  
2 - 2 FUSE 

3) PANEL THICKNESS

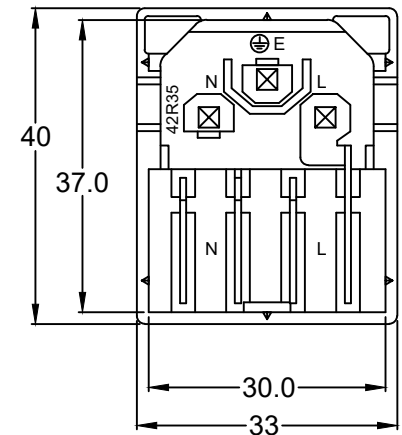
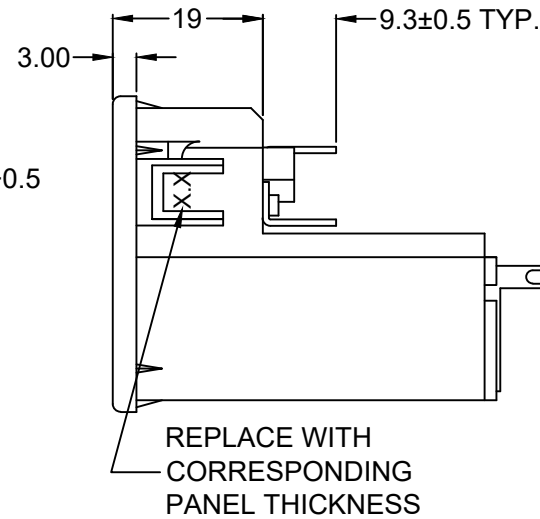
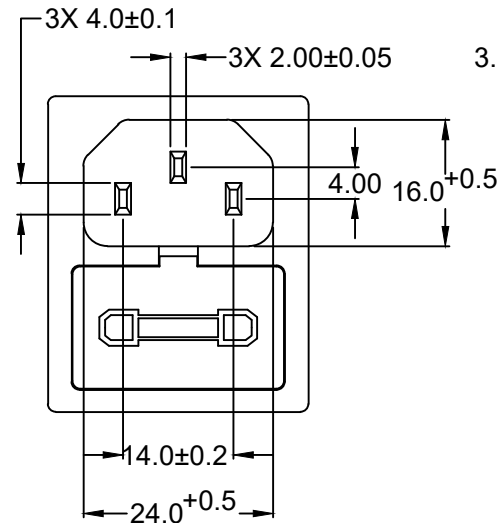
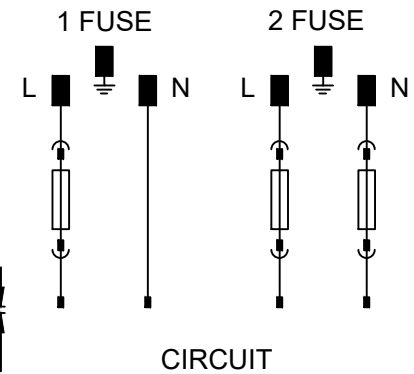
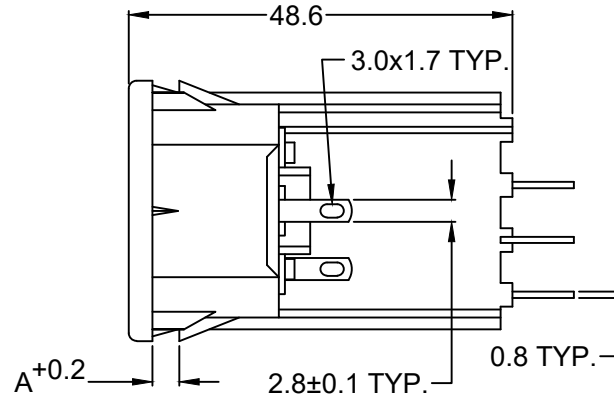
P/N	A	MAX. PANEL THICKNESS
42R35-3X2X-150	1.5	1.5
42R35-3X2X-200	2.0	2.0

ADDITIONAL PANEL THICKNESS  
AVAILABLE ON REQUEST

REVISIONS					
REV	DATE	CHANGE	CHNG	CHK	APPR
A	4/11/17	cUL WAS CSA	PB		
B	12/21/21	REVISED CURRENT RATINGS	PB		



RECOMMENDED  
PANEL CUTOUT



TOLERANCE UNLESS OTHERWISE SPECIFIED		
X	±	1
X.X	±	0.4
X.XX	±	0.20

DRAWN BY	GQ	DATE:	09/18/01
CHECK BY	TD	DATE:	09/19/01
APPR BY	PB	DATE:	09/19/01

**Power Dynamics, Inc.**

Phone: 973 560-0019 Whippany, New Jersey Fax: 973 560-0076

PART: IEC 60320 COMBINATION FUSE HOLDER  
APPL. INLET, SOLDER TERMINALS; SNAP-IN

PART #: 42R35-3X2X-XXX		SHEET 1 of 1
SIZE: A	ALL DIMENSIONS FOR REFERENCE ONLY DIMENSIONS ARE IN MILLIMETERS	REV: B
SCALE: NTS		