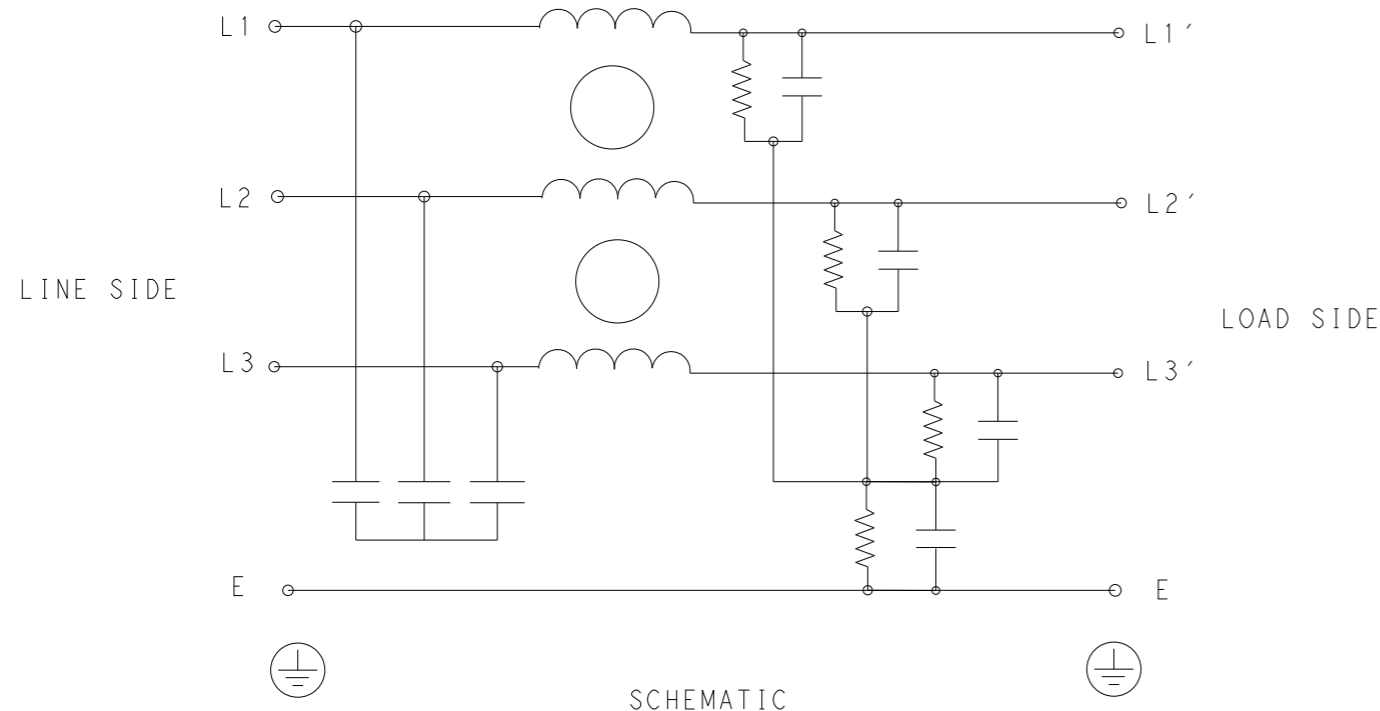


REVISIONS

P	LTR	DESCRIPTION	DATE	DWN	APVD
	A	INITIAL RELEASE	07APR2021	SB	CB



SAFETY ORGANIZATIONS

THIS FILTER WILL BE FORMALLY RECOGNIZED, CERTIFIED OR APPROVED BY THE LISTED AGENCY. THEREFORE, ALL TEST/REQUIREMENTS SPECIFIED IN THE LATEST REVISION OF THE FOLLOWING AGENCY STANDARDS WILL BE MET:

UL APPROVED 42A 520V 50Hz/60Hz 40°C
 CSA APPROVED 42A 520V 50Hz/60Hz 40°C

OPERATING SPECIFICATION

LINE CURRENT/VOLTAGE: 42A, 520VAC
LINE FREQUENCY: 50/60Hz

MAXIMUM LEAKAGE CURRENT: 10mA @ 230VAC, 50Hz

OPERATING AMBIENT TEMPERATURE RANGE @ RATED CURRENT: -25°C TO +40°C

IN AN AMBIENT, T_a, HIGHER THAN 40°C, THE MAXIMUM OPERATING CURRENT, I_o, IS AS FOLLOWS:

$$I_o = I_r \sqrt{\frac{85 - T_a}{45}}$$

RELIABILITY SPECIFICATIONS

STORAGE TEMPERATURE: -40°C TO +85°C
HUMIDITY: 21 DAYS @ 40°C AND 95% RH

TEST SPECIFICATIONS

INDUCTANCE, NOMINAL: 1.5mH

CAPACITANCE @ 1kHz
LINE TO GROUND, NOMINAL: 0.52µF
LINE TO LINE, NOMINAL: 1µF

DISCHARGE RESISTOR

L/G I.R. 680KΩ 1W
 L/L I.R. 3MΩ 1W
 L/N I.R. XXX
 N/G I.R. XXX
 IR (NO DISCHARGE RESISTOR) 20°C, 50% RH AND 100VDC, MIN: 6MΩ

RECOMMENDED RECEIVING INSPECITON HIPOI

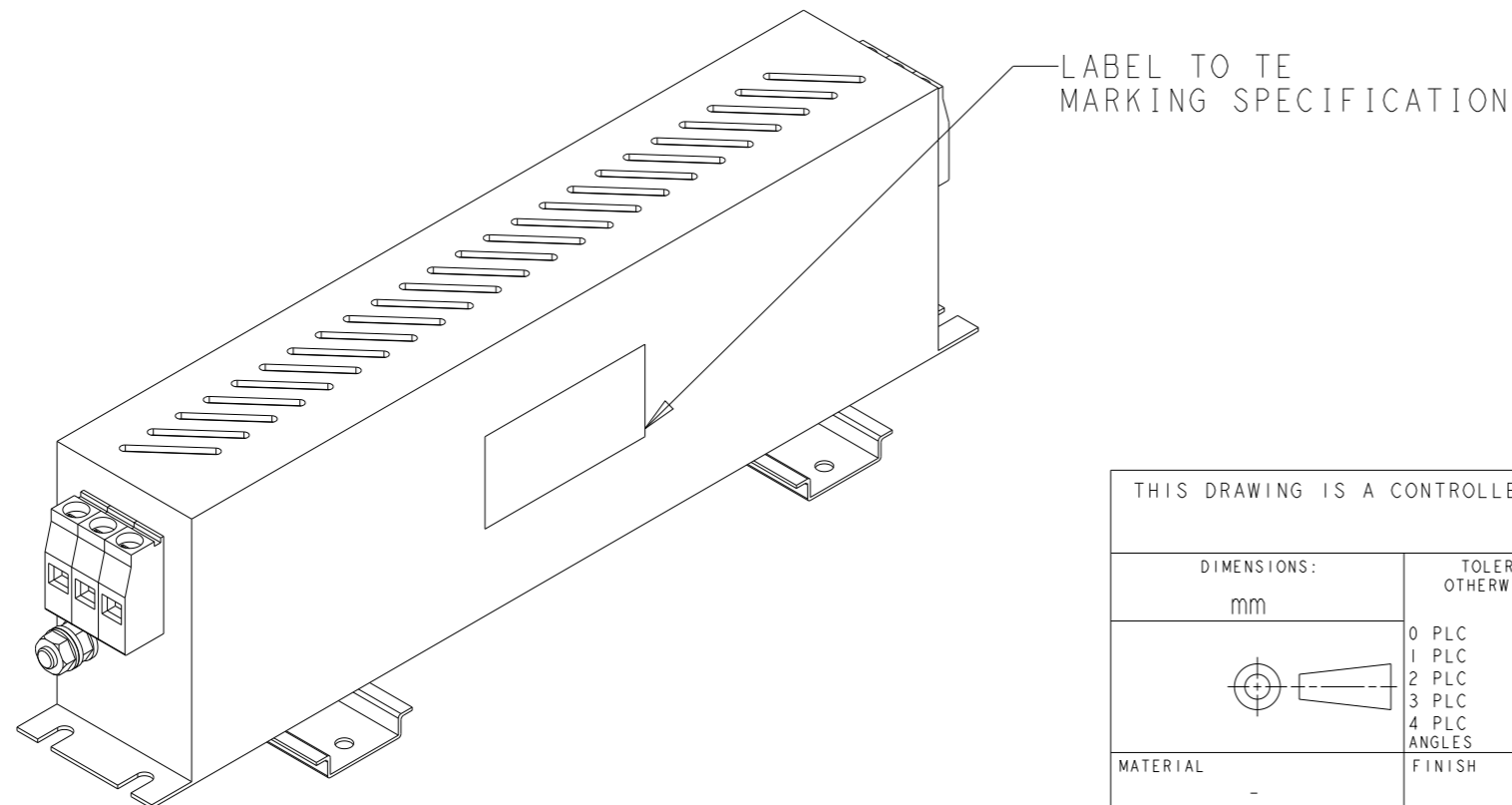
LINE TO GROUND FOR 1 MINUTE: 2856VDC
LINE TO LINE FOR 1 MINUTE: 2236VDC

FILTER APPROVAL

THE BEST WAY TO SELECT AND QUALIFY A FILTER IS FOR YOUR ENGINEERING TO TEST THE UNIT IN YOUR EQUIPMENT.

TYPICAL INSERTION LOSS
COMMON MODE 50/50Ω; DIFFERENTIAL MODE 50/50Ω

MHz	0.01	0.05	0.15	0.5	1	3	5	10	30
CM	20	13	46	78	69	50	42	32	12
DM	18	21	35	83	74	64	45	13	27



THIS DRAWING IS A CONTROLLED DOCUMENT.

DIMENSIONS:	TOLERANCES UNLESS OTHERWISE SPECIFIED:
mm	
	0 PLC ±0.5
	1 PLC ±0.40
	2 PLC ±0.130
	3 PLC ±0.0500
	4 PLC ±
	ANGLES ±
MATERIAL	FINISH
-	-
-	-

DWN	07APR2021
BAPAT SAHAS	
CHK	07APR2021
CHRIS BOLLE	
APVD	07APR2021
CHRIS BOLLE	
PRODUCT SPEC	-
APPLICATION SPEC	-
WEIGHT	-
CUSTOMER DRAWING	



NAME				POWER LINE FILTER FOR DIN 35 RAIL INSTALLATION 42KEMS10BBSVDM	
SIZE	CAGE CODE	DRAWING NO	RESTRICTED TO		
A3	00779	C-7-1609968-8	-		
SCALE		SHEET	OF	REV	
1:2		1	2	A	

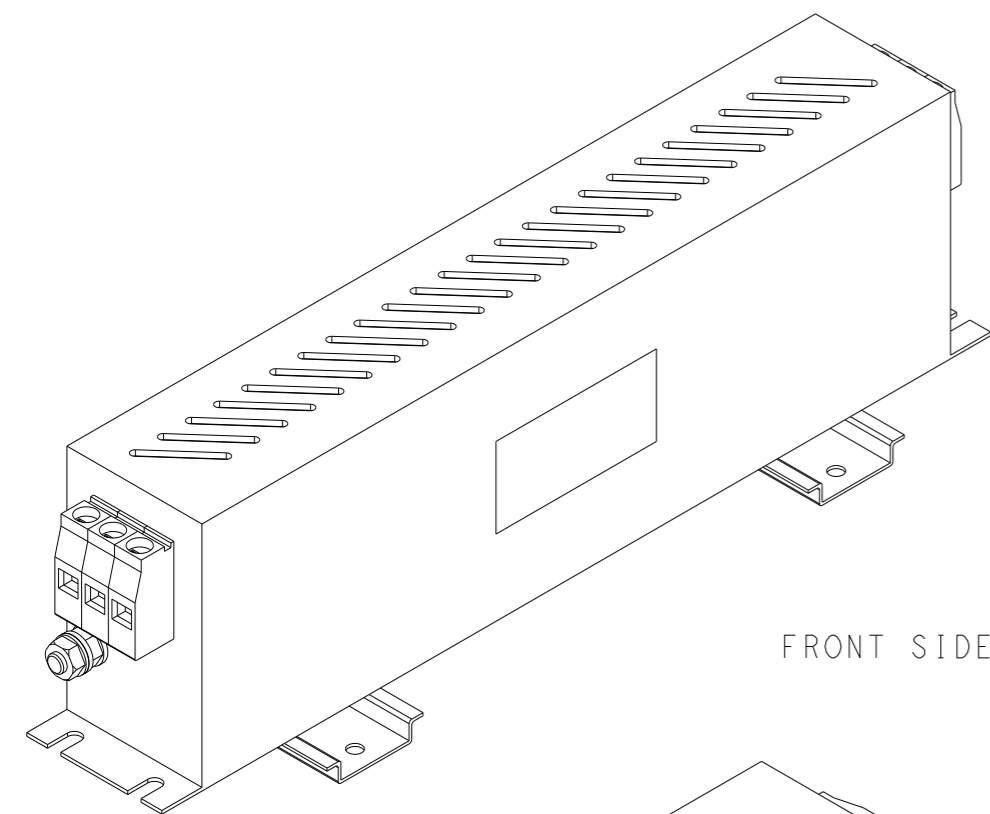
NOTE 1 GROUND CONNECTION:
 FOR ELECTRICAL SAFETY AND FILTER PERFORMANCE
 UNIT MUST HAVE A GOOD GROUND CONNECTION.
 TORQUE OUTER TERMINAL SCREWS: 1.2Nm / 10.8 in.lbs
 TORQUE GROUND NUTS: 2.5-3Nm

NOTE 2 INPUT OUTPUT CONNECTION TERMINAL
 AWG SIZE: 26-8 AWG
 WIRE SECTION: 10 mm²
 THREADED BOLT SIZE FOR GROUND: M6

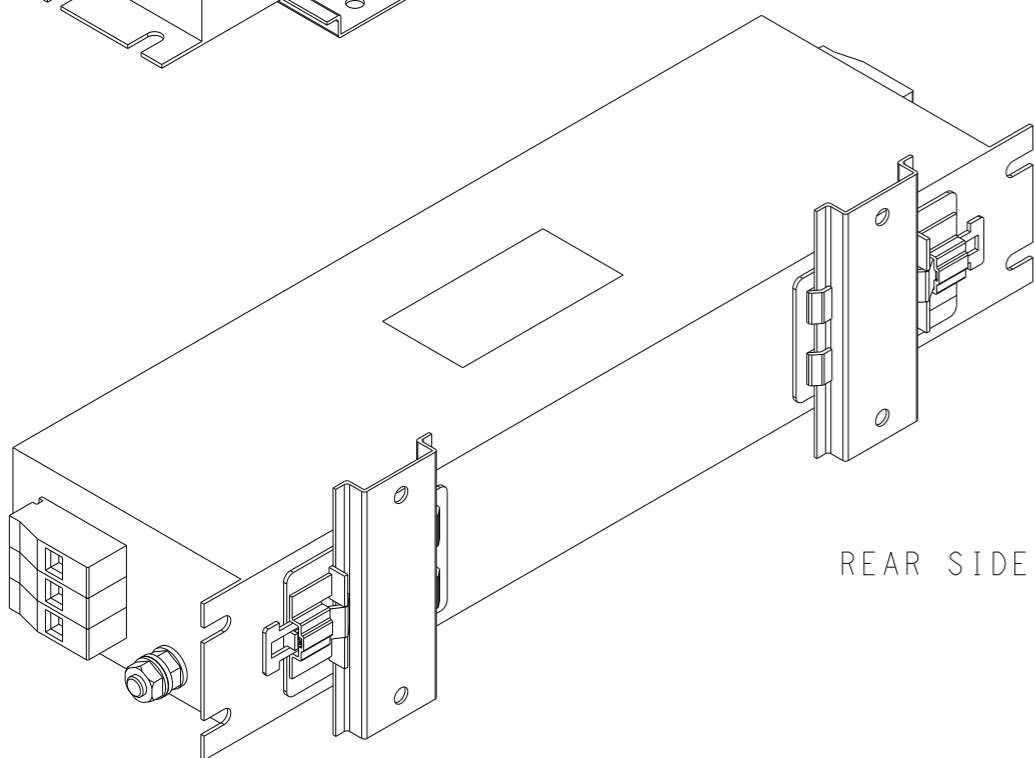
NOTE 3 SUPPLIED WITH DIN RAIL BRACKET

NOTE 4 DRAWINGS SHOWS DIN RAIL FOR
 REFERENCE ONLY

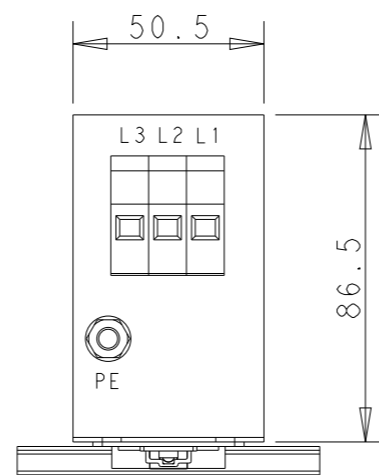
REVISIONS					
P	LTR	DESCRIPTION	DATE	DWN	APVD
		SEE SHEET 1			



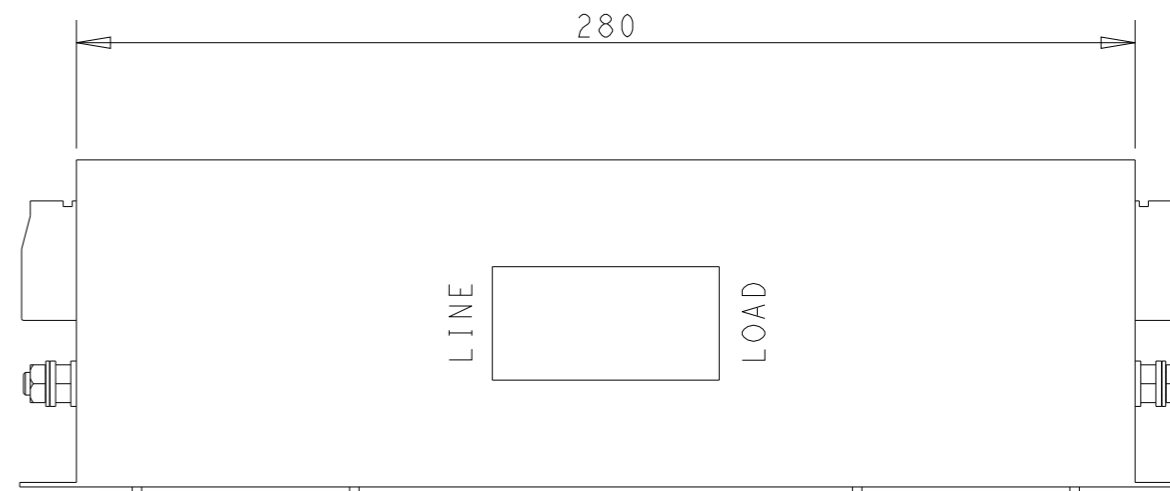
FRONT SIDE



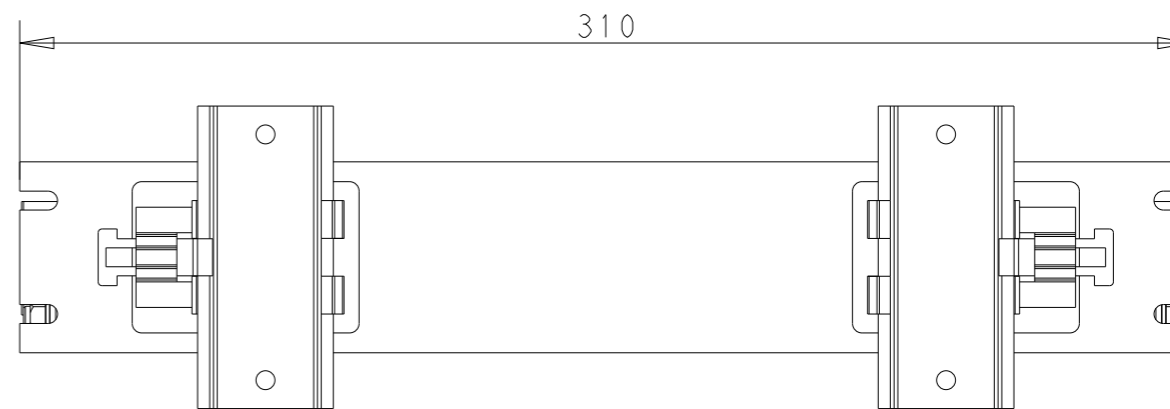
REAR SIDE



DIN RAIL CHANNEL



DIN 35 BRACKET



THIS DRAWING IS A CONTROLLED DOCUMENT.

DWN 07APR2021
 BAPAT SAHAS
 CHK 07APR2021
 CHRIS BOLLE
 APVD 07APR2021
 CHRIS BOLLE

NAME
 POWER LINE FILTER FOR
 DIN 35 RAIL INSTALLATION
 42KEMS10BBSVDM



DIMENSIONS: mm	TOLERANCES UNLESS OTHERWISE SPECIFIED:	0 PLC ±-	1 PLC ±0.5	2 PLC ±0.40	3 PLC ±0.130	4 PLC ±0.0500	ANGLES ±-	MATERIAL	FINISH

PRODUCT SPEC -
 APPLICATION SPEC -
 WEIGHT -
 CUSTOMER DRAWING

SIZE	CAGE CODE	DRAWING NO	RESTRICTED TO
A3	00779	C-7-1609968-8	-
SCALE	SHEET	OF	REV
1:2	2	2	A