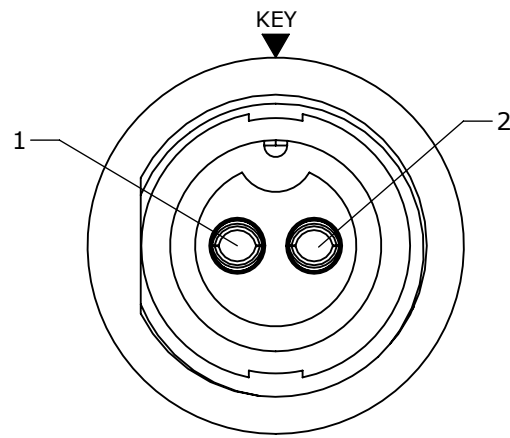


CUSTOMER PRINT

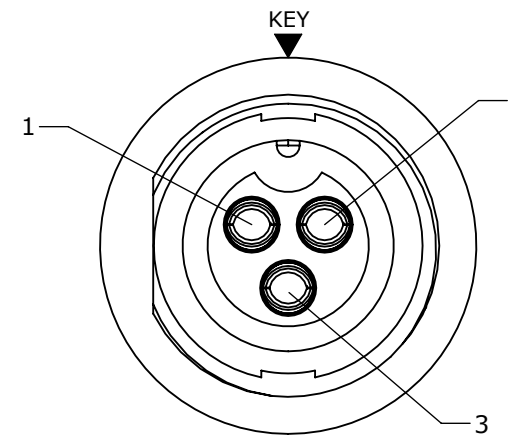
PART NUMBER: 4182-XSG-300

ASSY P/N	NO. OF CONTACTS
4182-2SG-300	2
4182-3SG-300	3

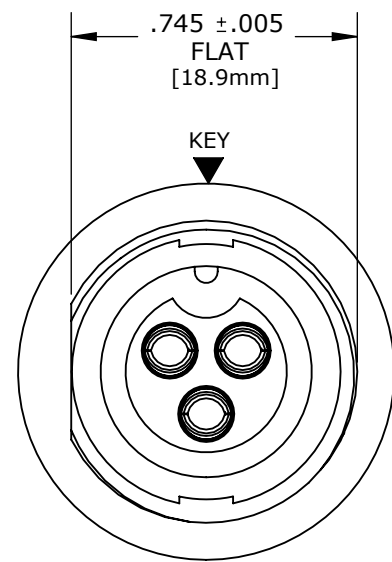
NOTES:
 1. PARTS TO BE BULK PACKED
 2. CONTACTS ARE ASSEMBLED INTO CONNECTOR.



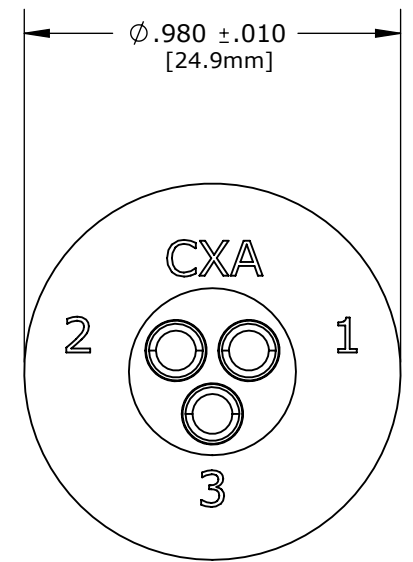
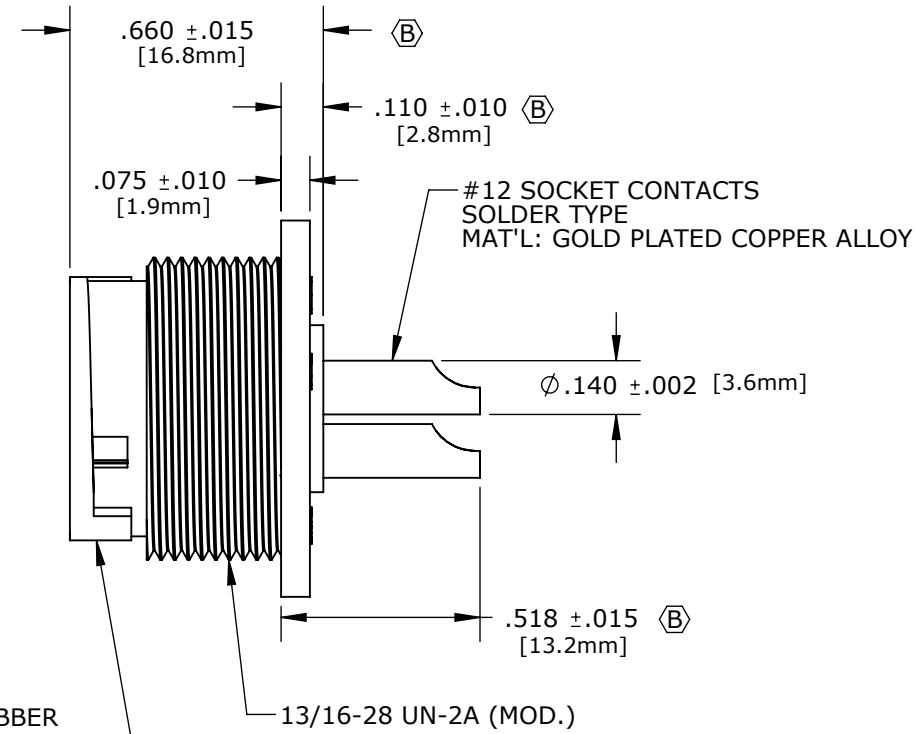
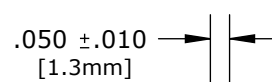
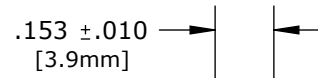
FACE VIEW
4182-2SG-300



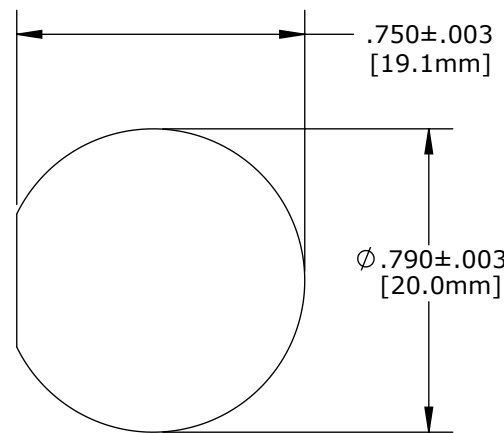
FACE VIEW
4182-3SG-300



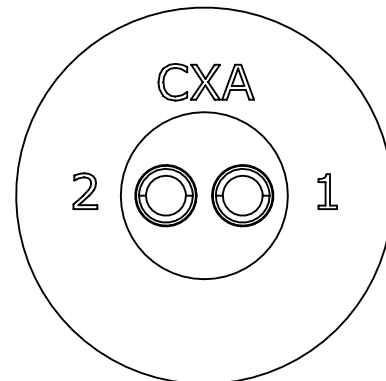
FACE VIEW
P/N: 4182-3SG-300



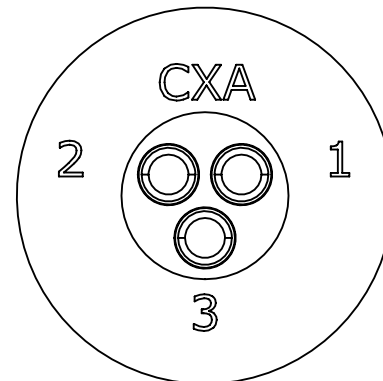
WIRE VIEW
P/N: 4182-3SG-300



RECOMMENDED
PANEL CUT-OUT



WIRE VIEW
4182-2SG-300



WIRE VIEW
4182-3SG-300

DIMENSIONS IN BRACKET [] ARE METRIC.

CUSTOMER APPROVAL

THIS DOCUMENT CONTAINS CONFIDENTIAL INFORMATION PROPRIETARY TO CONXALL CORPORATION. ANY REPRODUCTION, DISCLOSURE, OR USE OF THIS DOCUMENT / INFORMATION IS EXPRESSLY PROHIBITED UNLESS AUTHORIZED IN WRITING BY CONXALL CORPORATION.

APPROVED BY: _____
 DATE: _____

B	AN	09-14-10	CORRECTED WITHOUT WELL, DIMENSION 0.660 WAS 0.705 & 0.518 WAS 0.526, ADDED TOLERANCES & MATERIAL. PER ECR 7569
A	BZ	10-12-09	DRAWING CREATED PER DOR 09-1731KL
REV.	INIT.	DATE	DESCRIPTION
			ALL INFORMATION ILLUSTRATED IS THE PROPERTY OF CONXALL CORPORATION. UNAUTHORIZED DUPLICATION OR DISTRIBUTION OF THIS DOCUMENT IS PROHIBITED.
			ORIG. DRAWN BY: BZ DATE: 10-12-09
			CHECKED BY:
			APPROVED BY:
			UNLESS OTHERWISE SPECIFIED TOLERANCES: 3 PLACE DECIMALS ±.010 ANGLES ±1° FRACTIONS ±1/16 - CRITICAL CHARACTERISTIC FLAG PER SPEC. XXXX
			SCALE: NTS SIZE: B SHEET: 1 OF 1
			FILE: 4182-XSG-300 DIRECTORY: SLW
			TITLE: PANEL CONNECTOR ASS'Y KIT (2-3) #12 SOCKET CONTACTS MULTI-CON-X CUSTOMER: STANDARD PRODUCT
			PART NUMBER: 4182-XSG-300
			REV B



601 E. WILDWOOD VILLA PARK, IL 60181