

4

3

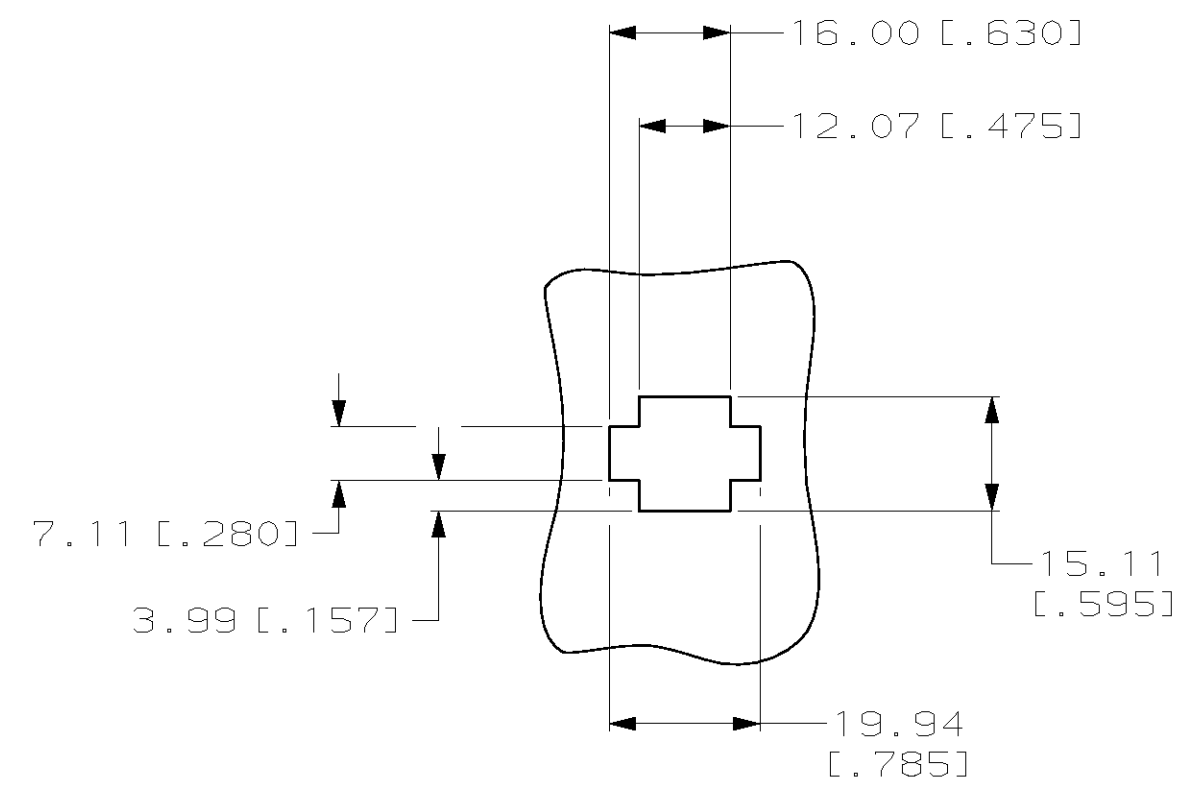
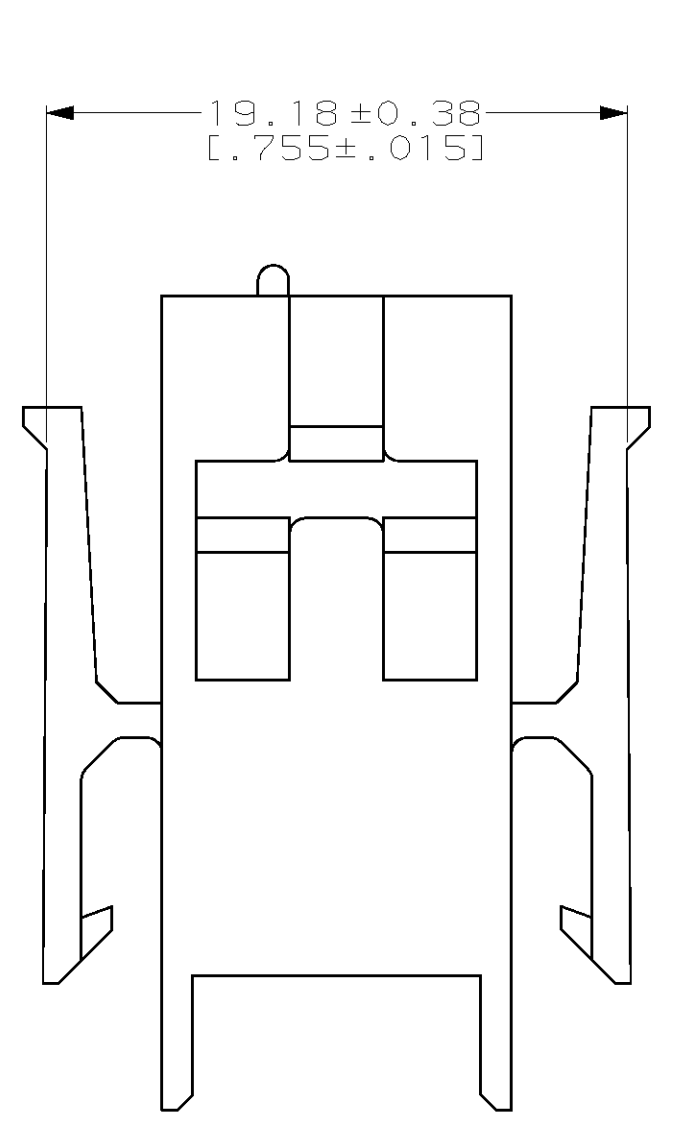
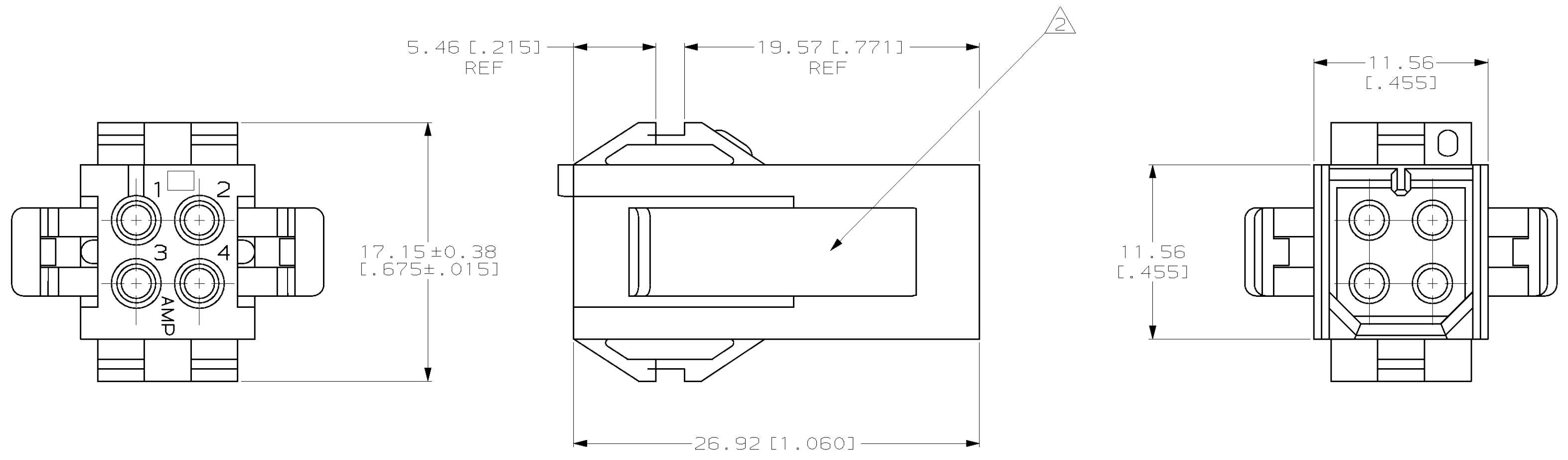
2

1

THIS DRAWING IS UNPUBLISHED. RELEASED FOR PUBLICATION .19  
 (C) COPYRIGHT 19 BY AMP INCORPORATED. ALL RIGHTS RESERVED.

LOC		DIST		REVISIONS			
P	LTR	DESCRIPTION	DATE	DWN	APVD		
CM	52	F	REV PER EC 0L30-0015-97	2-21-97	JH	RS	

- MATES WITH HOUSING 640519.
- UL LOGO AND CSA LOGO TO APPEAR ON EITHER LATCH SURFACE PER AMP SPEC 202-20, I.D. NO. 1-18838-3 AND 1-18839-3. FROST BACKGROUND OPTIONAL.
- DIMENSIONS IN BRACKETS ARE IN INCHES.



RECOMMENDED CUT OUT  
 FOR 1.73 [0.068] MAX THICK PANEL  
 SCALE 1:1

**METRIC**

1-640509-0  
 PART NUMBER

THIS DRAWING IS A CONTROLLED DOCUMENT.		DWN	R. VESTAL	7-12-96	AMP Incorporated Harrisburg, PA 17105-3608
DIMENSIONS:		CHK	R. SWING	7-12-96	
mm [INCHES]		APVD	A. BEDDICK	7-12-96	
		PRODUCT SPEC			
TOLERANCES UNLESS OTHERWISE SPECIFIED: 0 PLC ±- 1 PLC ±- 2 PLC ±0.13 [.005] 3 PLC ±- 4 PLC ±- ANGLES ±0°30'		APPLICATION SPEC	NAME HOUSING, CAP MRII 4 POSITION		
MATERIAL NYLON, UL 94V-0, NATURAL (BRICK RED)		WEIGHT	SIZE A2		
FINISH -		CUSTOMER DRAWING	CAGE CODE	00779	DRAWING NO. C-640509
		SCALE	4:1	SHEET	1 OF 1
				REV	F

640509

A