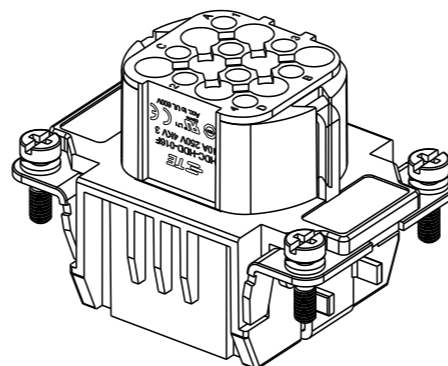
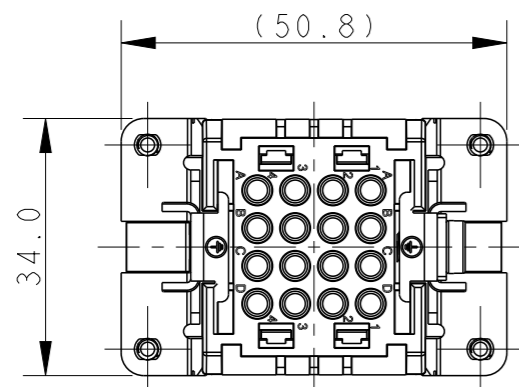
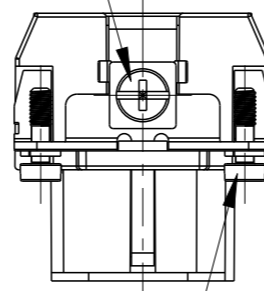
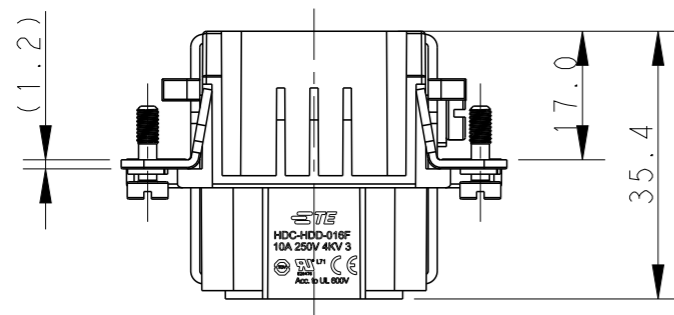


REVISIONS

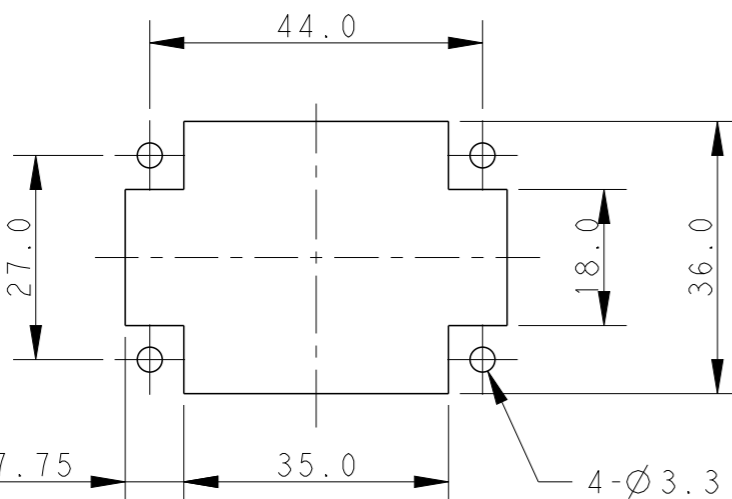
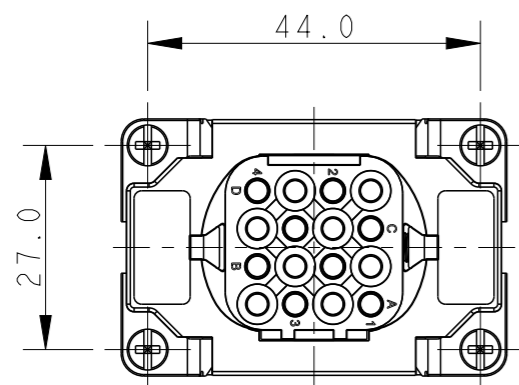
P	LTR	DESCRIPTION	DATE	DWN	APVD
A		INITIAL	04JAN2016	RL	CW
B		ECR-21-105887	26JUL2021	BS	CW
C		ECR-22-150866	21SEP2022	DL	CW



GROUND CONTACT SCREW:
M4 SCREW RECOMMENDED
TIGHTENING TORQUE 1.2Nm
接地压线螺丝: M4螺丝推荐拧紧力矩1.2Nm



FIXING SCREW: 4xM3
RECOMMENDED TIGHTENING
TORQUE 0.5Nm
固定螺丝: 4xM3螺丝推荐拧紧力矩0.5Nm



PANEL CUT OUT FOR INSERTS FOR USING
WITHOUT HOODS/HOUSINGS
不带壳体时面板开孔尺寸


NOTES:

- TECHNICAL CHARACTERISTICS:
INSULATION MATERIAL: PC
RATED VOLTAGE: 250 V
RATED CURRENT: 10 A
INSULATION RESISTANCE: $\geq 400M\Omega$
RATED IMPULSE VOLTAGE: 4 KV
POLLUTION DEGREE: 3
FLAMMABILITY: UL94V-0
MATING CYCLES: 500 CYCLES
OPERATION TEMPERATURE: $-40+125^{\circ}C$
WIRE RANGE: 0.14-2.5 mm² (26-14 AWG)
CONTACT TYPE: CRIMP CONTACT
- CONTACT NEED TO BE ORDERED SEPARATELY.
(ORDER No. REFER TO DRAWING: T20200X20XX000)

注释:

- 技术参数:
绝缘材料: PC
额定电压: 250V
额定电流: 10A
绝缘电阻: $\geq 400M\Omega$
额定脉冲电压: 4 KV
污染等级: 3
阻燃等级: UL94V-0
插拔次数: 500次
工作温度: $-40+125^{\circ}C$
接线范围: 0.14-2.5 mm² (26-14 AWG)
接线类型: 冷压接
- 端子需要单独订购。
(订货号参考图面: T20200X20XX000)

T2030162201-000	HDD-016-F HDD-016 母插
PART NUMBER 料号	PART DESCRIPTION 描述

THIS DRAWING IS A CONTROLLED DOCUMENT.		DWN ROY LIU 04JAN2016	 TE Connectivity	
DIMENSIONS: mm		CHK KYLE ZENG 04JAN2016		
TOLERANCES UNLESS OTHERWISE SPECIFIED:		APVD CHRIS WANG 04JAN2016	NAME HDD-016-F	
0 PLC ±-		PRODUCT SPEC 108-137043	SIZE A3	
1 PLC ±-		APPLICATION SPEC 114-137043	CAGE CODE -	DRAWING NO. T2030162201000
2 PLC ±-		MATERIAL -	RESTRICTED TO -	
3 PLC ±-		FINISH -	SCALE 1:1	
4 PLC ±-		CUSTOMER DRAWING	SHEET 1 OF 1	
ANGLES ±-		WEIGHT -	REV C	