

MODEL:

# SRW6UKD

## SmartRack® Knock-Down Wall-Mount Rack Enclosure Cabinet



6 Rack Units



200 lb.  
Load Rating



Sturdy Steel  
Construction



Locking Door



Standard  
19" Rack Width



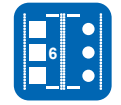
Convenient  
Cable Access



Adjustable  
Mounting Rails



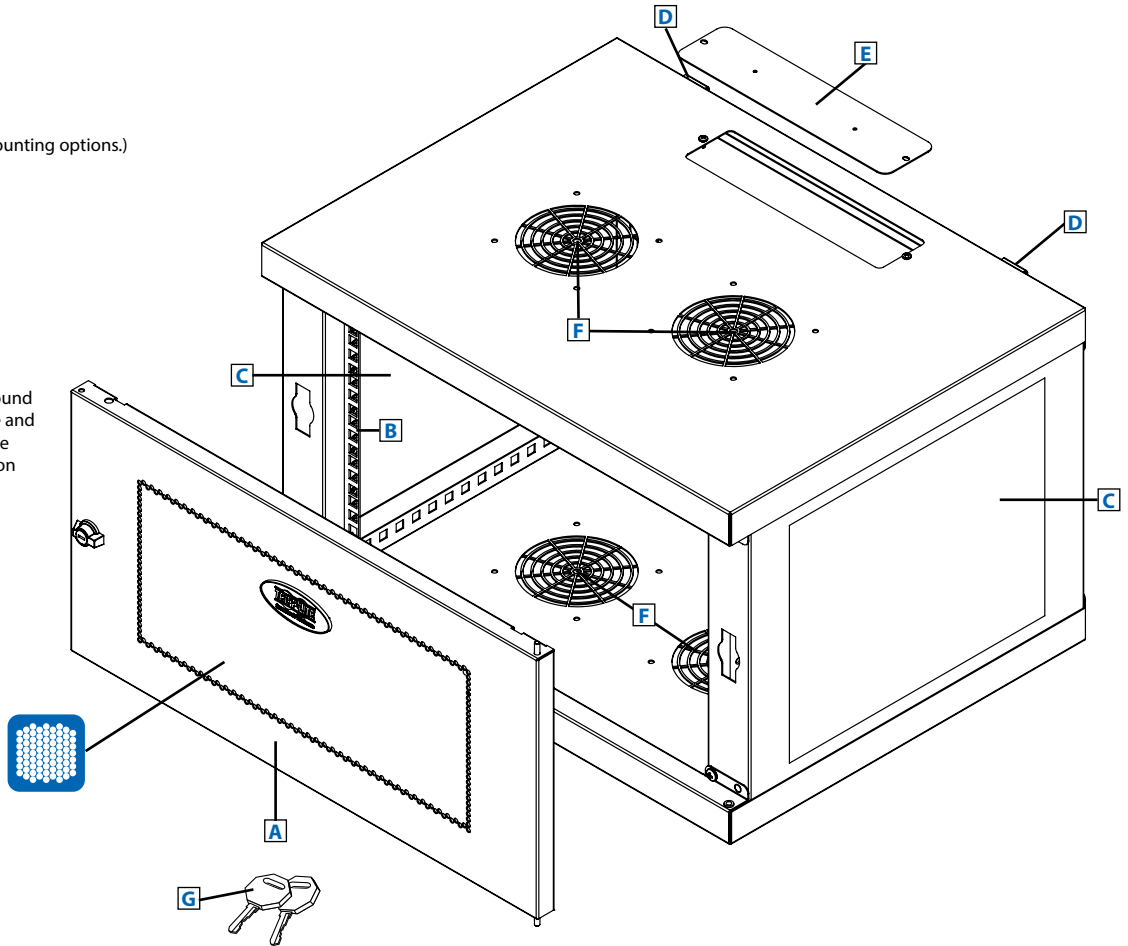
Ventilated for  
Ample Airflow



Square/Threaded  
Hole Mounting

- A** Front Door  
(Lockable/Removable/Reversible)
- B** Adjustable Mounting Rails (2)  
(Support square and threaded hole mounting options.)
- C** Side Panels (2)
- D** Mounting Holes
- E** Cable Access Port Covers (2)  
(Removable)
- F** Ventilation Fan Ports (4)  
(Support optional SRFANWM fan kit.)
- G** Keys (2)

Also Includes: Owner's manual, cabinet ground screw, pre-installed front door ground wire and rack-mount equipment mounting hardware (16 M6 cage nuts, 24 M6 screws, 16 M6 nylon cup washers, 12 12-24 screws).



- Ships unassembled for easy transport and assembly in confined spaces
- Low-profile, switch-depth cabinet mounts to a wall to save valuable floor space
- Accommodates 6U of EIA-standard 19-inch rack equipment up to 16.5 inches deep
- Front equipment mounting rails adjust in 7/8-inch increments

**SEE NEXT PAGE FOR DETAILED UNIT MEASUREMENTS**

### Specifications

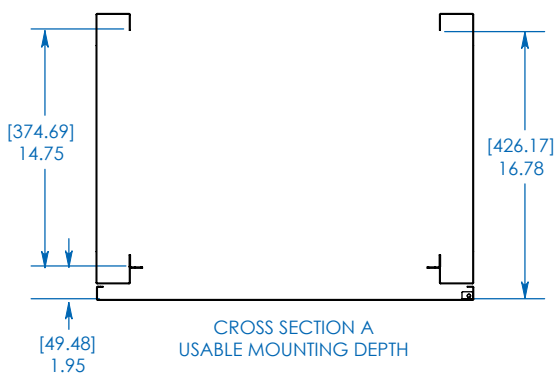
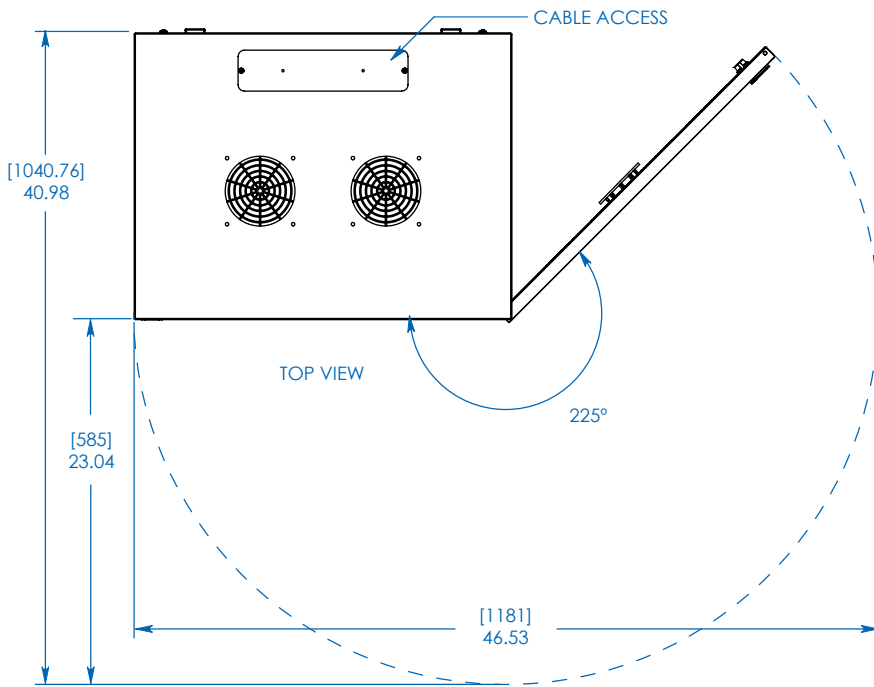
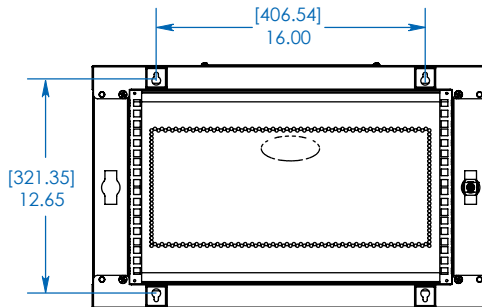
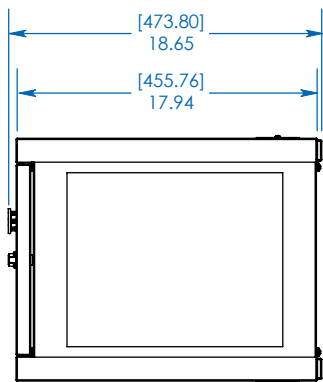
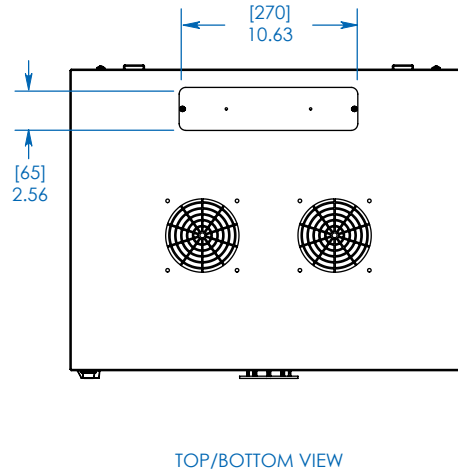
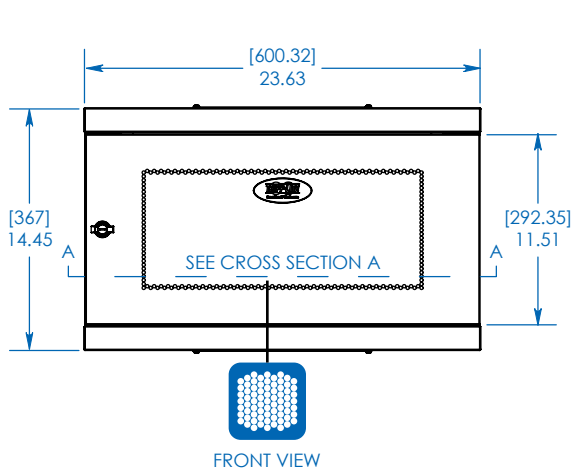
Model	SRW6UKD
Rack Spaces	6U
Equipment Mounting Depth	Up to 16.5 in. / 419 mm
Load Rating*	200 lb. / 90.7 kg
Unit Dimensions (H x W x D)	14.45 x 23.63 x 17.94 in. / 368 x 600 x 456 mm
Shipping Dimensions (H x W x D)	25.98 x 20.28 x 7.08 in. / 656 x 515 x 180 mm
Unit Weight	29 lb. / 13 kg
Shipping Weight	31.5 lb. / 14.3 kg
Standards	Tested to EIA-310-E, IEC 60297-3-100, DIN 41494, IP20, UL 60950, RoHS, PCI-DSS, NOM

\* The load rating includes the combined weight of the unit and installed equipment. The unit must be mounted to a stable surface with user-supplied anchors capable of bearing the full load.



# TRIPP-LITE

1111 W. 35th Street  
Chicago, IL 60609 USA  
773.869.1234  
www.tripplite.com



MODEL:  
**SRW6UKD**  
**TRIPP-LITE**

1111 W. 35th Street  
Chicago, IL 60609 USA  
773.869.1234  
www.tripplite.com

Dimensions: [mm] INCHES

Tripp Lite has a policy of continuous improvement. Specifications are subject to change without notice.