



### Electrical Specifications

**Center Frequency:** 120.5 MHz  
**3 dB Bandwidth (BW):**  $F_o \pm 0.5\text{MHz}$  (120-121 MHz)  
**Insertion Loss:** 3.5 dB Max @ 120.5 MHz  
**Return Loss @ 120 MHz :** 15 dB Min  
**Attenuation:** > 18dBr @ 119 MHz & 122 MHz

**Impedance:** 50 Ohms  
**Power Handling:** 25 W

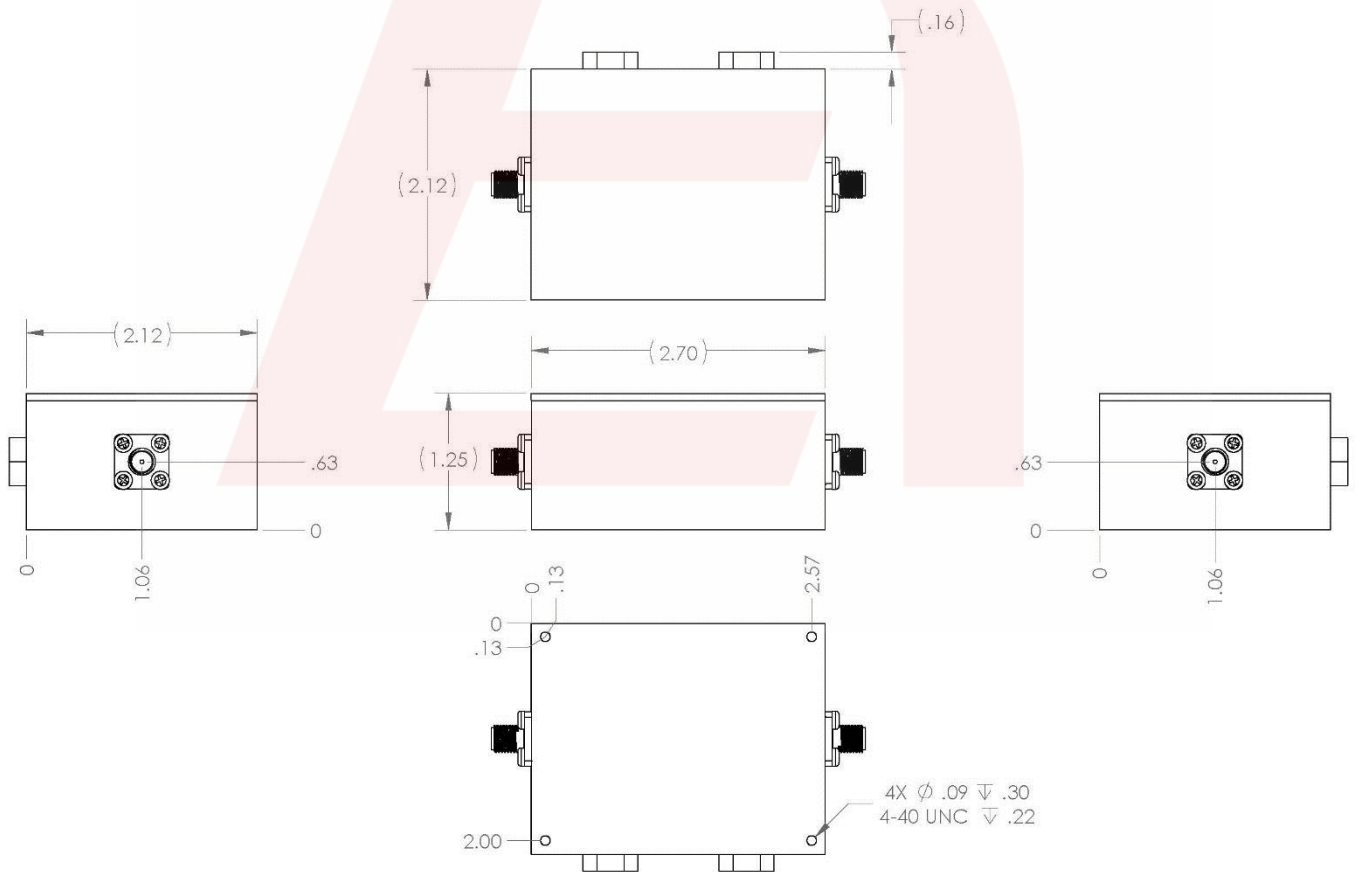
### Mechanical

**Connectors:** N(F)  
**Dimensions:** 2.70" X 2.12" X 1.25"  
**Mounting:** 4-40 Threaded holes

### Environmental

**Operating Temperature:** -20 to +70° C  
**Storage Temperature:** -50 to +90° C

### Outline Drawing:





### Response Plot

