



LAYOUT SHOWN AS EXAMPLE

Keying Shown as example

**CHARACTERISTICS**

- Standard : Based on MIL-DTL-38999 Series III
- Shell Material : Aluminium
- Shell Plating : Olive drab Cadmium
- Insulator : Thermoplastic
- Contacts : Copper Alloy
- Seals & Grommet : Silicon Elastomer
- Contact Plating : Gold over copper Alloy 0.8µm minimum
- Durability : 500 Mating cycles
- Delivered with Souriau contacts and Accessories
- Temperature Range : -65°C to +175°C
- Salt Spray : 500 hours
- Mass : 43.68 g ± 10%

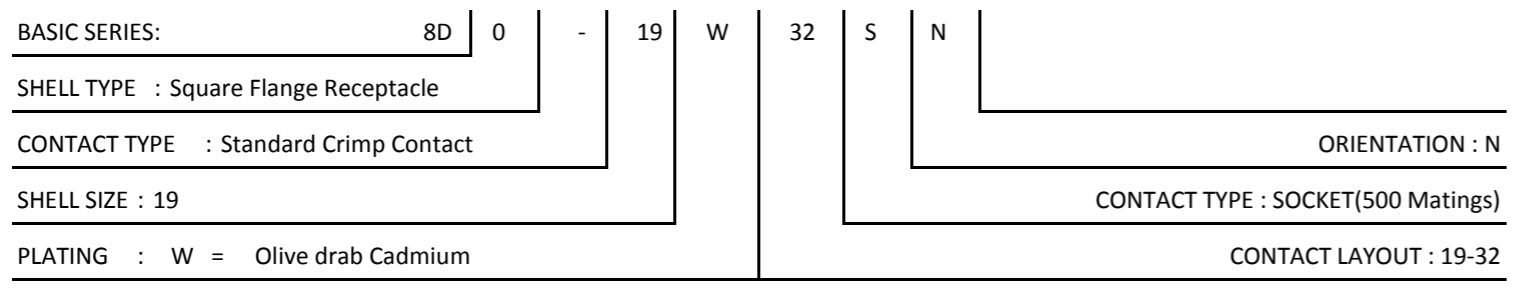
| Connector dimension |               |
|---------------------|---------------|
| Dim                 | Nominal       |
| P                   | 3.25±0.2      |
| PP                  | 4.93±0.2      |
| R1                  | 29.36         |
| R2                  | 26.97         |
| S                   | 36.5±0.3      |
| V                   | 20.83+0/-1.25 |
| W                   | 2.1/2.5       |
| Z                   | 31.5 Max      |
| VV THREAD           | M28x1-6g      |

SOURIAU shall not be liable for any non-conformity or damage due to a use of the Products which does not comply with the Specifications issued by either of the Parties or by a third party (professional recommendation, technical notice.)

|         |                             |
|---------|-----------------------------|
| Country | Jurisdiction & Control List |
| FR      | Not Listed                  |

**PN: 8D019W32SN**

|                |                                       |                                |   |
|----------------|---------------------------------------|--------------------------------|---|
| A              | 02-11-2016                            | First Release                  |   |
| ISS            | DATE                                  | Latest modification - by       | MOD N°  |
| Designed By:   |                                       | Date:                          | <b>CUSTOMER DRAWING</b>   |
| <b>TITLE</b>   | <b>Aluminium Receptacle 8D series</b> |                                |   |
| SCALE          | NA                                    | General linear Tolerances: ±-- | NPRDS / PROJECT<br><b>859</b>   |
| <b>SOURIAU</b> | <b>WWW.SOURIAU.COM</b>                |                                | This document is the property of SOURIAU it must not be reproduced or communicated without permission |
| FORMAT         | <b>A3</b>                             |                                | <b>SOURIAU DRG N° 8D019W32SN-C</b>  |
|                |                                       |                                | SHEET<br>1/2  |



Contact Layout

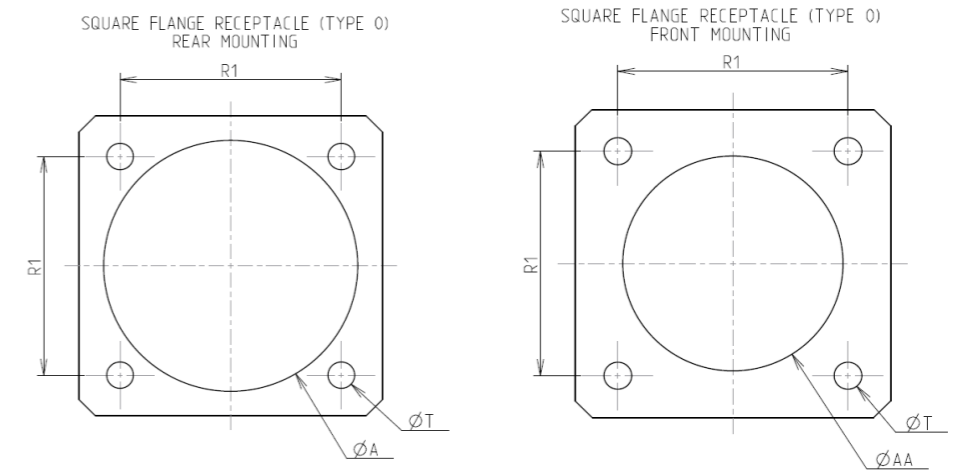


| Contacts<br>(Insert arrangement 19-32) |                  |             |                     |                  |             |            |
|--|------------------|-------------|---------------------|------------------|-------------|------------|
| Contact position ID                    | Contact location |             | Contact position ID | Contact location |             | Supersedes |
|  | X-axis (mm)      | Y-axis (mm) |                     | X-axis (mm)      | Y-axis (mm) |            |
| A                                      | +066 (1.68)      | +353 (8.97) | T                   | -066 (1.68)      | +353 (8.97) |            |
| B                                      | +189 (4.80)      | +305 (7.75) | U                   | +000 (0.00)      | +230 (5.84) |            |
| C                                      | +286 (7.26)      | +217 (5.51) | V                   | +124 (3.15)      | +193 (4.90) |            |
| D                                      | +345 (8.79)      | +098 (2.49) | w                   | +209 (5.31)      | -095 (2.41) |            |
| E                                      | +357 (9.07)      | -033 (0.84) | X                   | +228 (5.79)      | -033 (0.84) |            |
| F                                      | +321 (8.15)      | -160 (4.06) | Y                   | +174 (4.42)      | -151 (3.84) |            |
| G                                      | +242 (6.15)      | -265 (6.73) | Z                   | +065 (1.65)      | -221 (5.61) |            |
| H                                      | +130 (3.30)      | -335 (8.51) | a                   | -065 (1.65)      | -221 (5.61) |            |
| J                                      | -000 (0.00)      | -359 (9.12) | b                   | -174 (4.42)      | -151 (3.84) |            |
| K                                      | -130 (3.30)      | -335 (8.51) | c                   | -228 (5.79)      | -033 (0.84) |            |
| L                                      | -242 (6.15)      | -265 (6.73) | d                   | -209 (5.31)      | +095 (2.41) |            |
| M                                      | -321 (8.15)      | -160 (4.06) | e                   | -124 (3.15)      | +193 (4.90) |            |
| N                                      | -357 (9.07)      | -033 (0.84) | f                   | +000 (0.00)      | +096 (2.44) |            |
| P                                      | -345 (8.79)      | +098 (2.49) | g                   | +096 (2.44)      | +000 (0.00) |            |
| R                                      | -286 (7.26)      | +217 (5.51) | h                   | +000 (0.00)      | -096 (2.44) |            |
| S                                      | -189 (4.80)      | +305 (7.75) | j                   | -096 (2.44)      | +000 (0.00) |            |

| Shell size | Arrangement no. | Number of contacts | Size contacts | Service rating | Contact location | Supersedes |
|------------|-----------------|--------------------|---------------|----------------|------------------|------------|
| 19         | -32             | 32                 | 20            | I              | All              | MS20054-32 |

Panel Cutout



| Dim | Nominal    |
|-----|------------|
| ØA  | 32.94 min  |
| ØAA | 28.98 min  |
| R1  | 29.36      |
| ØT  | 3.25 ±0.13 |

SOURIAU shall not be liable for any non-conformity or damage due to a use of the Products which does not comply with the Specifications issued by either of the Parties or by a third party (professional recommendation, technical notice.)

| Country | Jurisdiction & Control List |
|---------|-----------------------------|
| FR      | Not Listed                  |

**PN: 8D019W32SN**

|                |                                       |                                |   |
|----------------|---------------------------------------|--------------------------------|---|
| A              | 02-11-2016                            | First Release                  |   |
| ISS            | DATE                                  | Latest modification - by       | MOD N°  |
| Designed By:   |                                       | Date:                          | <b>CUSTOMER DRAWING</b>   |
| <b>TITLE</b>   | <b>Aluminium Receptacle 8D series</b> |                                |   |
| SCALE          |                                       | General linear Tolerances: ±-- | NPRDS / PROJECT<br><b>859</b>   |
| NA             |                                       |                                |   |
| <b>SOURIAU</b> | <b>WWW.SOURIAU.COM</b>                |                                | This document is the property of SOURIAU it must not be reproduced or communicated without permission |
| FORMAT         | <b>SOURIAU DRG N° 8D019W32SN-C</b>    |                                | SHEET<br>2/2  |