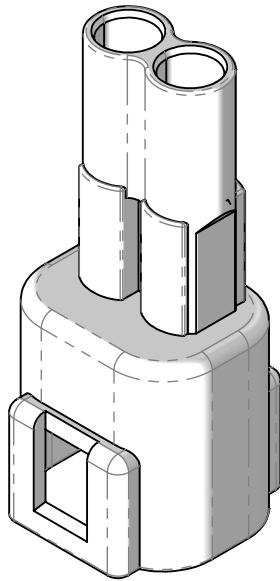


THIS IS A C.A.D. GENERATED DRAWING
DO NOT MAKE MANUAL REVISIONS TO MASTER.



ISSUE NUMBER

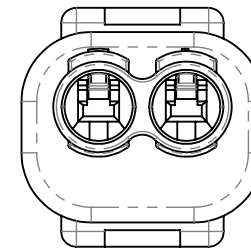
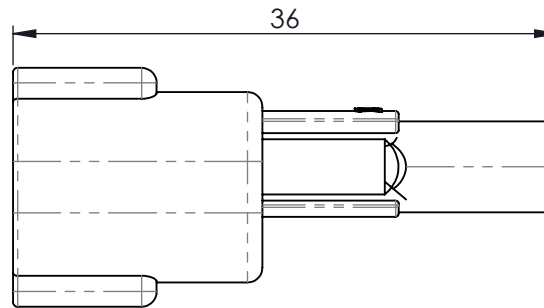
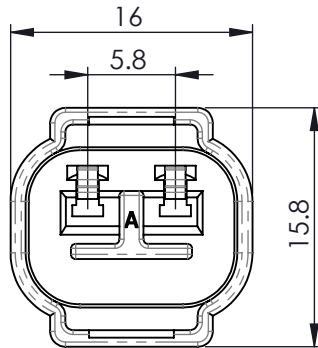
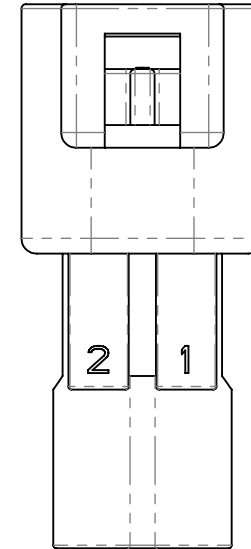
ORIGINAL ①



MATERIALS:
HOUSING: PBT, UL94V-0, WHITE COLOR

SPECIFICATIONS

1. PITCH: 5.8MM
2. RATED VOLTAGE: 300V
3. RATED CURRENT: 10A MAX
4. WITHSTAND VOLTAGE: AC1700V R.M.S.
5. CONTACT RESISTANCE: 10 mOHMS MAX
6. INSULATION RESISTANCE:
1000 MOHMS MIN/DC 500V
7. TEMPERATURE RANGE: -40°C ~ +105°C
8. WATERPROOF GRADE: TESTED AND
CERTIFIED TO IP67



Waterproof Connector, Insulator, Male
White, 2 pin
572-002-000-100

ACAD REFERENCE NO. 572-002-000-100

DRAWN: R.STA.MONICA DATE: NOV.16/15

CHECKED: DATE:

SCALE: NOT TO SCALE SHEET 1 OF 1

DRAWING NUMBER 572-002-000-100 ISSUE 1



EDAC INC
TORONTO, ONTARIO
CANADA

YOUR CONNECTION TO QUALITY & SERVICE

THESE DRAWINGS AND SPECIFICATIONS
ARE THE PROPERTY OF EDAC INC. AND
SHALL NOT BE REPRODUCED, OR COPIED
OR USED AS THE BASIS FOR THE
MANUFACTURE OR SALE OF APPARATUS
WITHOUT WRITTEN PERMISSION.



THIS SERIES FULLY CONFORMS TO THE
EUROPEAN UNION DIRECTIVES 2002/95/EC
AND 2002/96/EC FOR RoHS COMPLIANCY