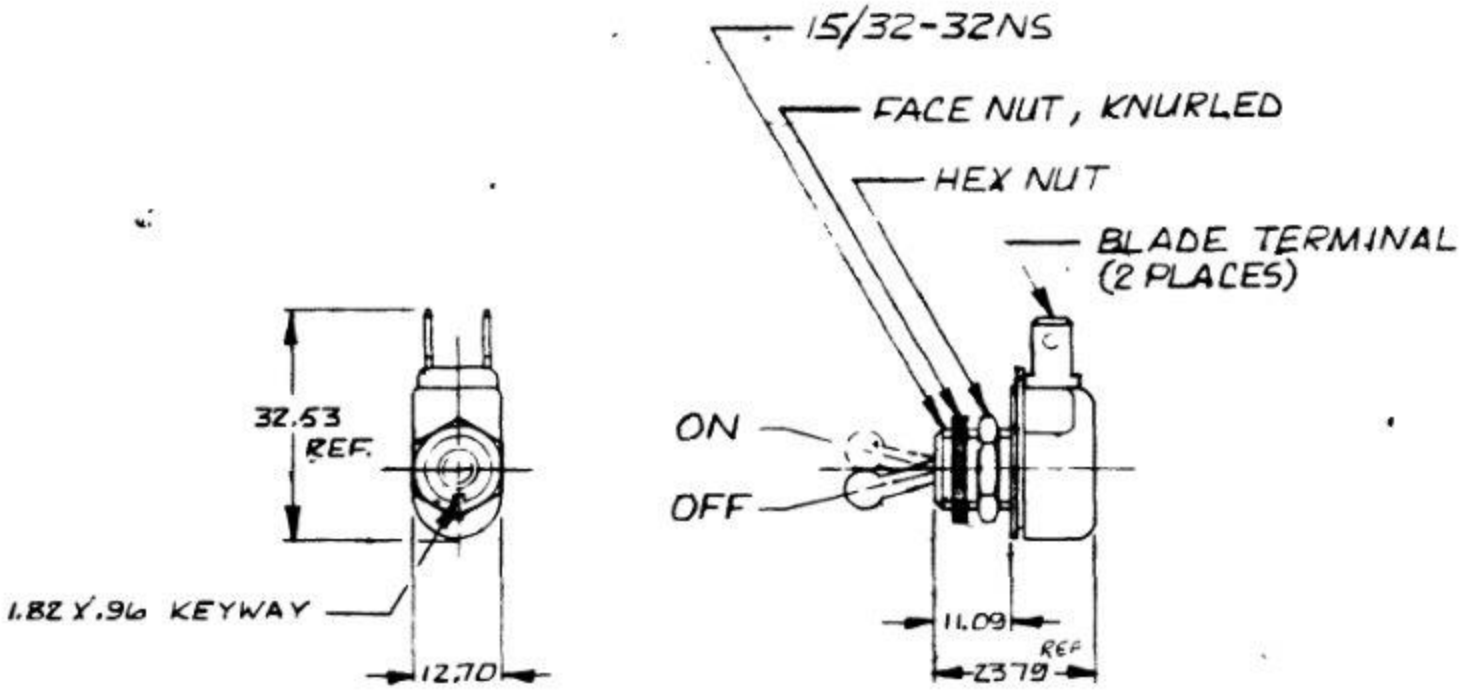


MAR IN
 25 .870
 26 .891
 27 .912
 28 .933
 29 .954
 30 .975
 31 .996
 32 1.017

55012

REF
 MS85



METRIC

DO NOT SCALE

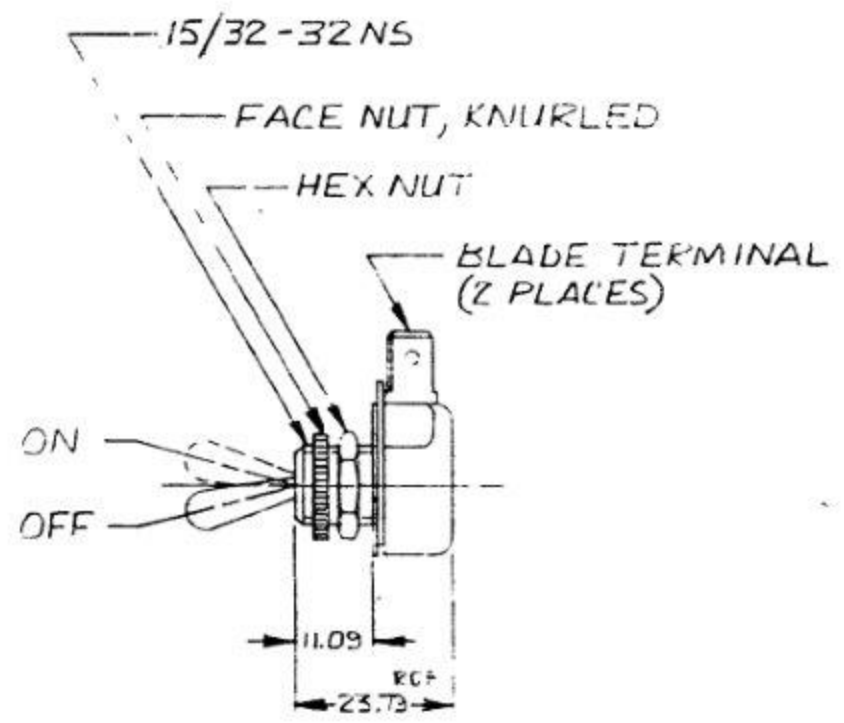
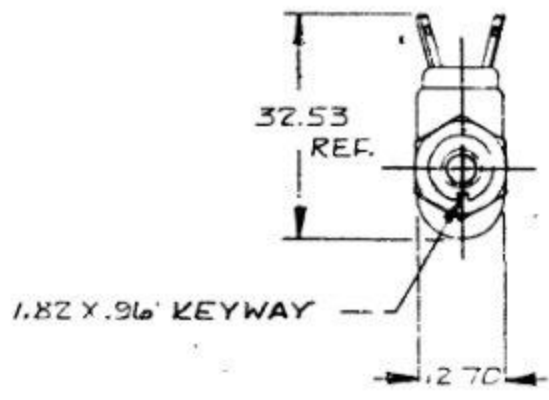
LET	WAS	DATE	BY	LET	WAS	DATE	BY	MATERIAL	DRAWN	CHECKED	APPROVD	SCALE	DATE DRAWN
								#	PLB			4:1	8-28-56
								FINISH					DATE BLUEPRINT
								TOLERANCES	 TOGGLE SWITCH				55012
							DECIMAL ± METRIC ±						

A REDRAWN 10-19-57 G

MM	IN
25	.010
11.09	.437
12.70	.500
25.4	.984
32.53	1.281
34	1.339
72	2.835

55013

REF
MSB



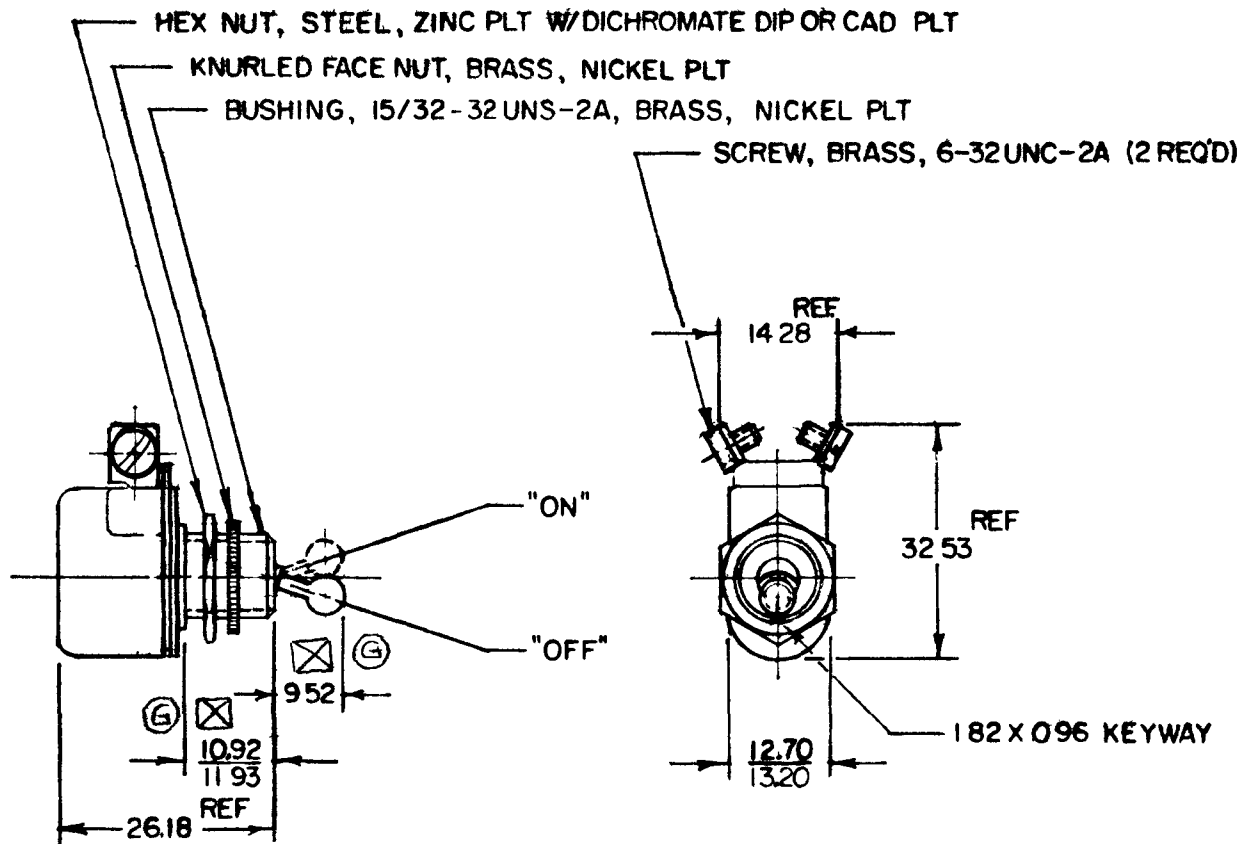
METRIC

DO NOT SCALE

LET	WAS	DATE	BY	LET	WAS	DATE	BY	MATERIAL	DRAWN	CHECKED	APPR'D	SCALE	DATE DRAWN
								#	PJB			1:1	8-28-56
								FINISH					DATE BLUEPRINT
								TOLERANCES	 TOGGLE SWITCH				55013
							DECIMAL ± .25 METRIC ± .25						

CH-188(4-78)

5507



METRIC

10 AMPS @ 12V DC

DO NOT SCALE

LET	WAS	DATE	BY	LET	WAS	DATE	BY	MATERIAL	DRAWN	CHECKED	APPRV'D	SCALE	DATE DRAWN
								— # —	KR	257		1:1	7-27-50
								FINISH					DATE BLUEPRINT
								— # —					
				G	ADD SYMBOL	2/25/42	AF	TOLERANCES	TOGGLE SWITCH				5507
				F	REV & REDRAWN	12-3-79	RR	DECIMAL ± .010 METRIC ± .25					

CH 188(4 78)

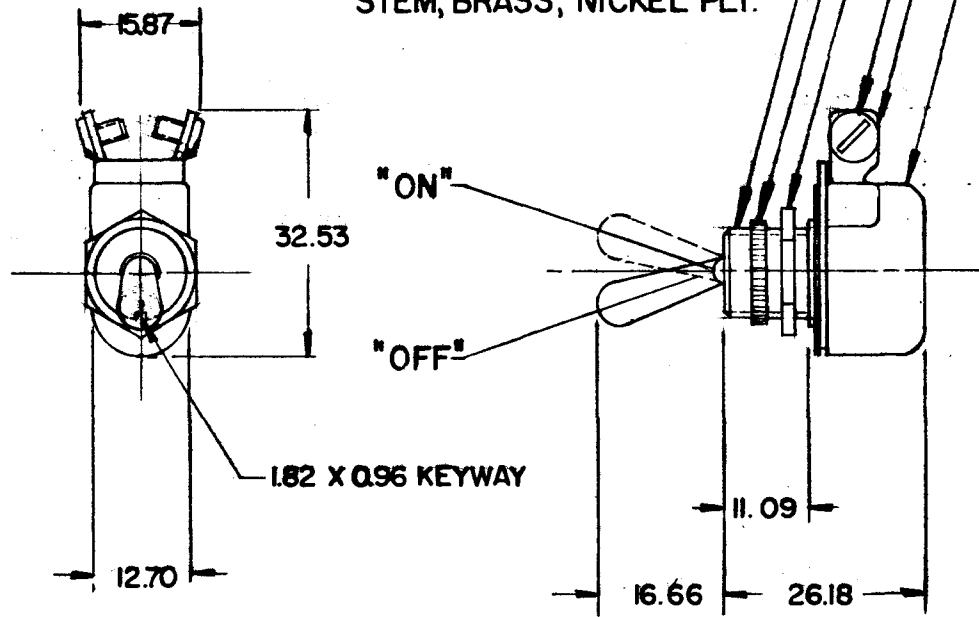
5558

M	N
0.25	.010
0.96	.038
1.82	.072
4.74	.187
11.09	.437
12.70	.500
15.87	.625
16.66	.656
26.18	1.031
32.53	1.281

REF
M-484

COLE-HERSEE CO.

- ⓕ TERMINAL, BRASS, SILVER PLATE
- 6-32UNC-2A BRASS SCREW, 4.74 LG. (2 REQ'D)
- HEX NUT, STEEL, CADMIUM PLATE
- KNURLED FACE NUT, BRASS, NICKEL PLT.
- 15/32 - 32 UNS-2A MTG STEM, BRASS, NICKEL PLT.
- INSULATOR, BAKELITE



REF MARINE M-484

METRIC

DO NOT SCALE

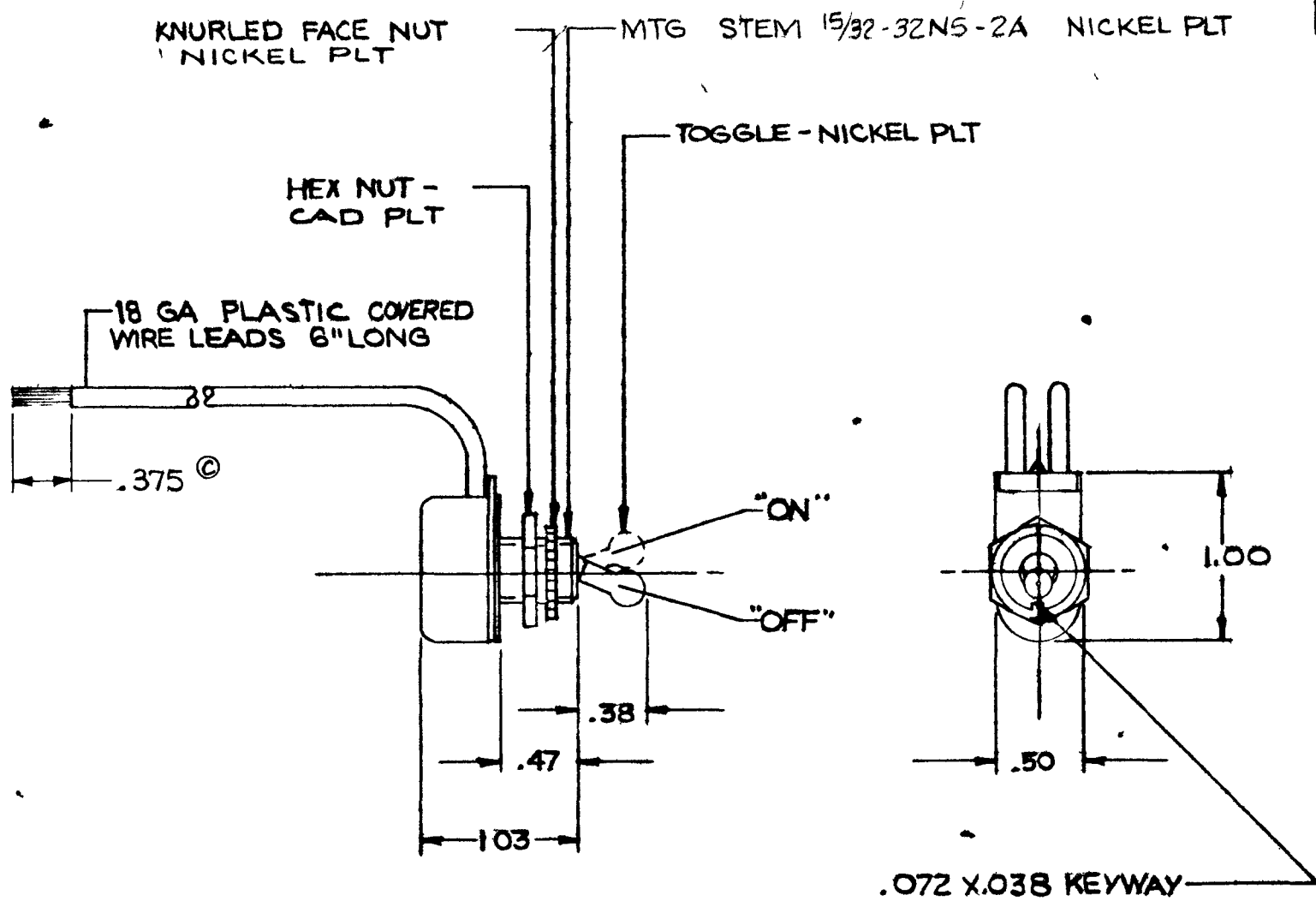
LET	WAS	DATE	BY	LET	WAS	DATE	BY	MATERIAL	DRAWN	CHECKED	APPRV'D.	SCALE	DATE DRAWN
								---	RM	4-13-78		FULL	3-14-51
								---	COLE-HERSEE COMPANY BOSTON, MASS. 02127, U.S.A.				DATE BLUEPRINT
				F	ECN 2460	10-2-71	BL	TOLERANCES	TOGGLE SWITCH				5558
				E	REDRAWN	4-3-71	JV	FRACTIONAL ±					
								DECIMAL ±0.25					

SPAULDING CO., INC. 21-10961

REF
M593

5568

COLE-HERSEE CO.



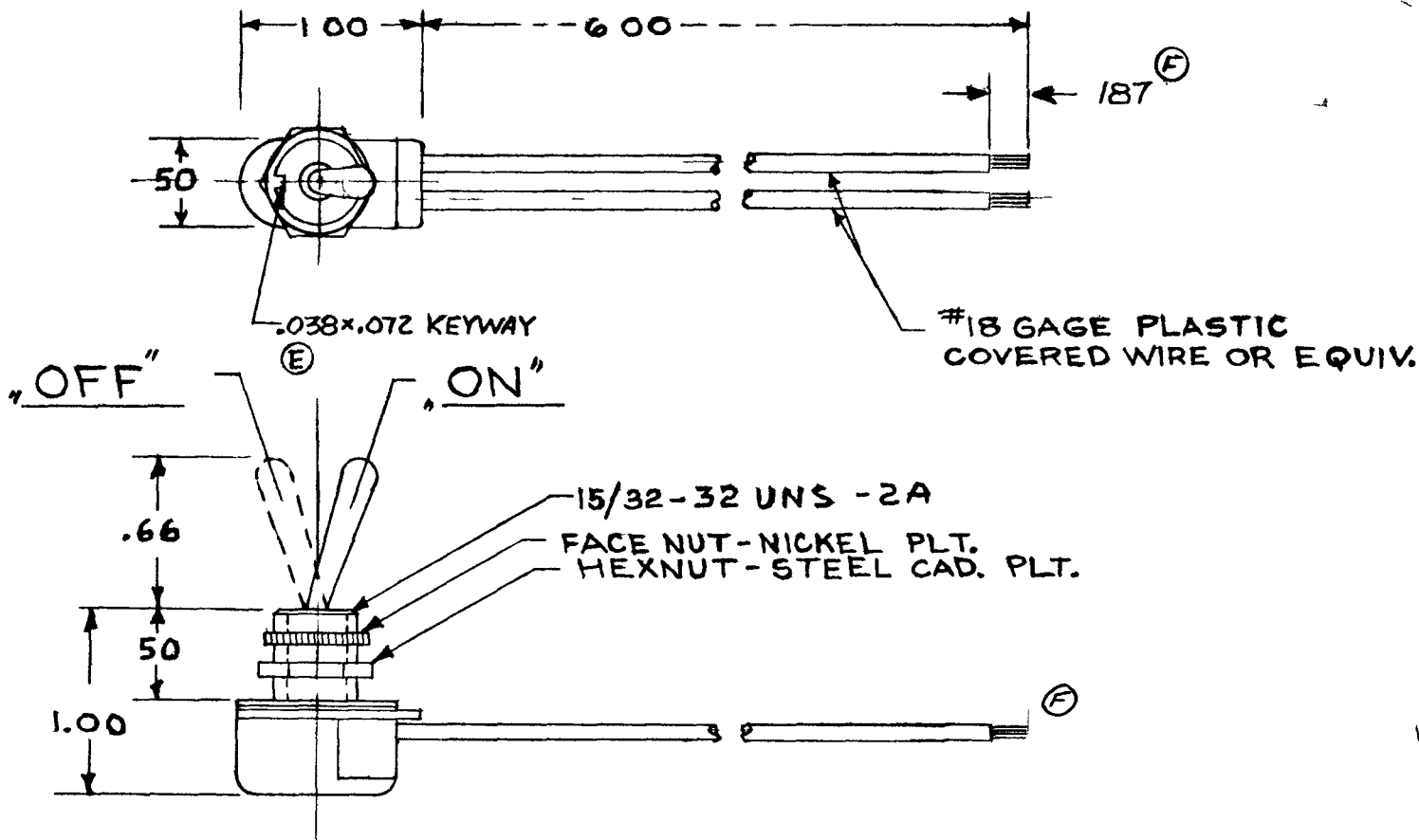
DO NOT SCALE

LET	WAS	DATE	BY	LET	WAS	DATE	BY	MATERIAL	DRAWN	CHECKED	APPR'D	SCALE	DATE DRAWN
									EA	TY 41277			11 29-66
								FINISH	COLE-HERSEE COMPANY BOSTON MASS 02127, U.S.A				DATE BLUEPRINT
				C	ADDED DIM	5 14 87	LY	TOLERANCES	TOGGLE SWITCH				5568
				B	RE-DRAWN NO CHANGE	4 12 77	LY	FRACTIONAL ± DECIMAL ±.015					

5570

REF
M 584

COLE-HERSEE CO.



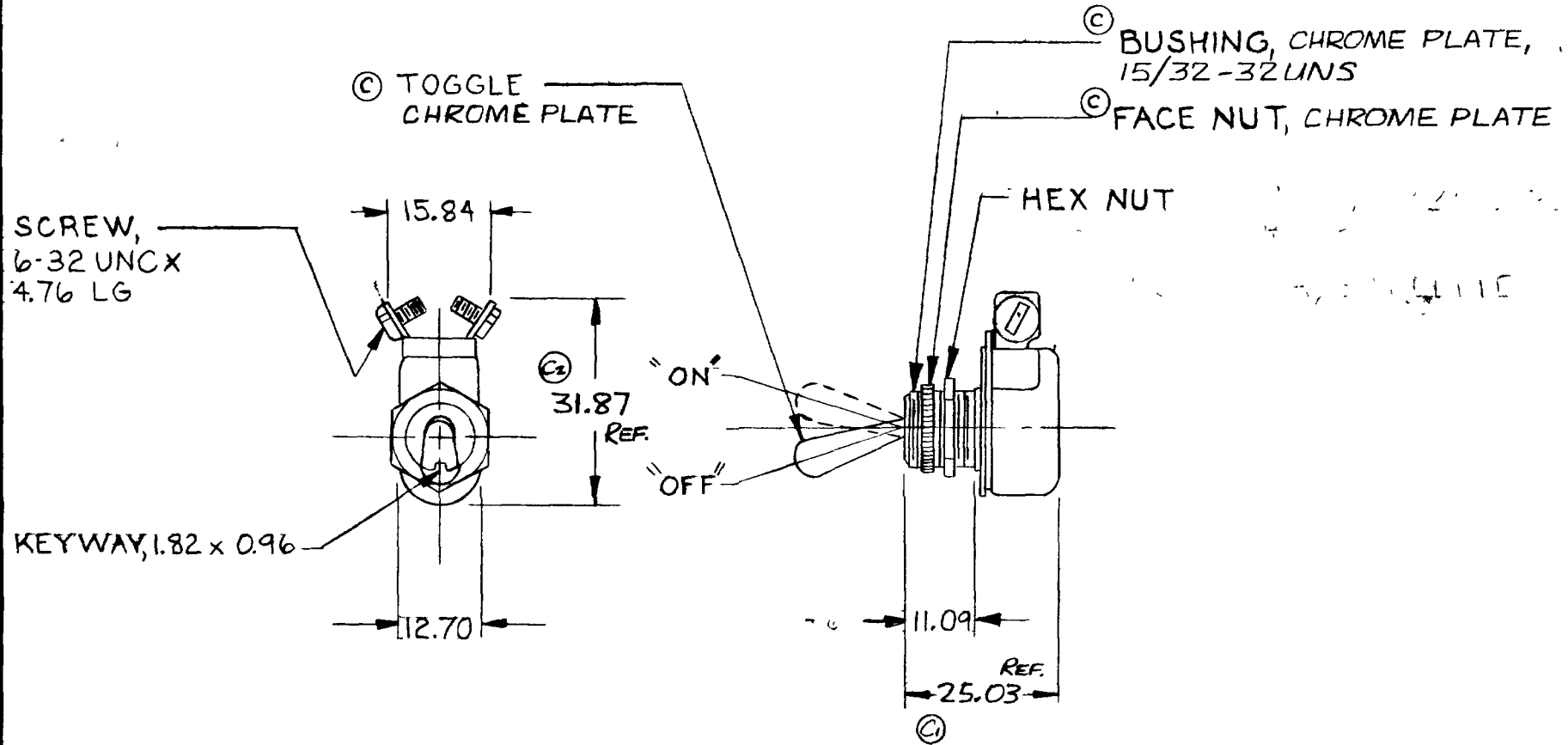
DO NOT SCALE

LE	WAS	DATE	BY	LET	WAS	DATE	BY	MATER L	DRAWN	CHECKED	APPR V D	SCALE	USED ON	D T E D A W N
								#	EA	RB		FULL		1-28-52
								NS	COLE-HERSEE COMPANY					DATE B EPR
									BOSTON MASS 02127 USA					
					F	DIM CHANGE ECN 23704	3-29-88	JK	NAME TOGGLE SWITCH					5570
					E	DIM ADDED 17537	1-7-72	CT						
					D	REDRAWN REVISED	6-5-70	JB						
									O E ANCE UNLESS SPEC IED 2 DECIM L 010 3 DEC MA .005 ANGULAR 25°					

MM. IN
 0.25 .010
 0.96 .038
 1.82 .072
 11.09 .437
 12.70 .500
 15.84 .625
 25.03 1.025
 31.87 1.255
 REF.

5558

M-484



METRIC

DO NOT SCALE

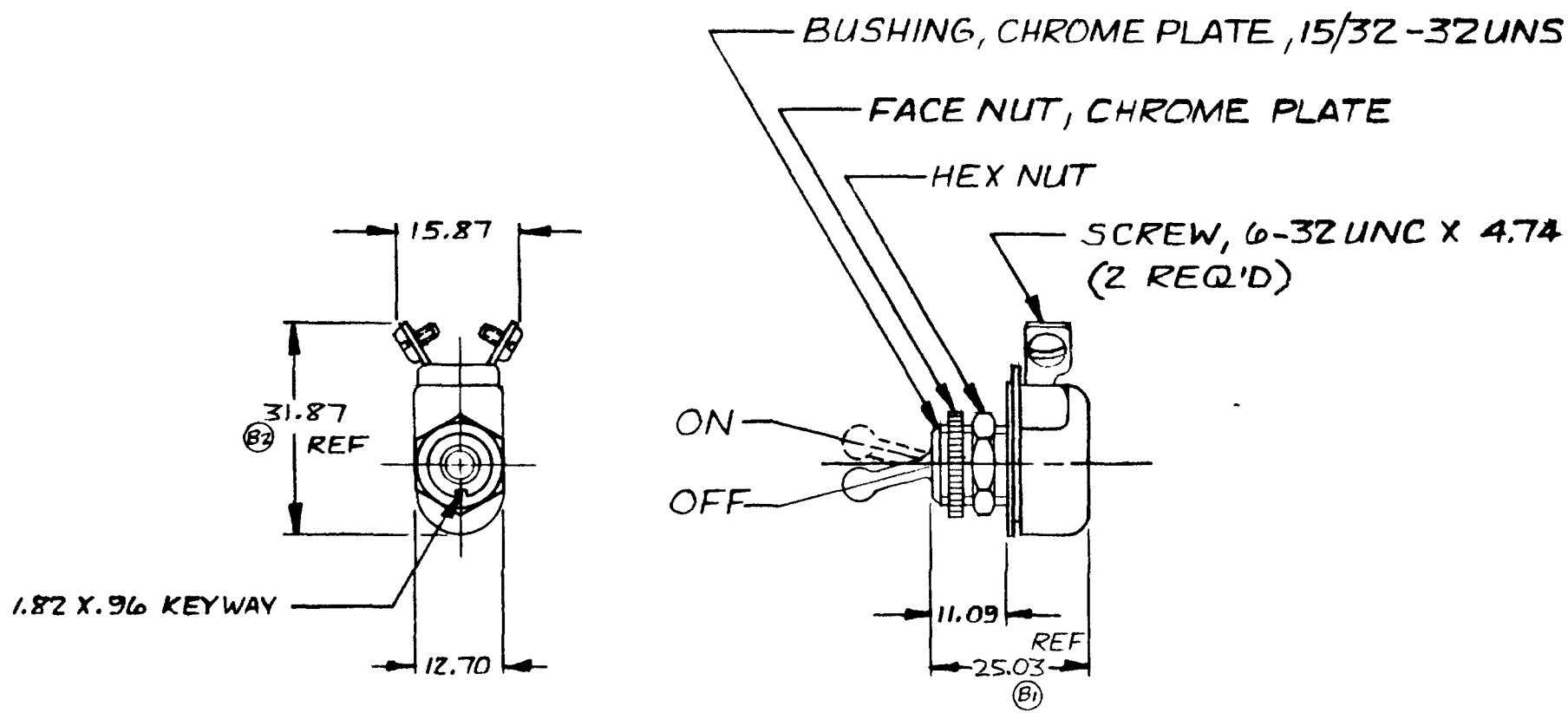
LET	WAS	DATE	BY	LET	WAS	DATE	BY	MATERIAL	DRAWN	CHECKED	APPRV D	SCALE	DATE DRAWN
									SN			1:1	3-17-50
								FINISH					DATE BLUEPRINT
				C	NICKEL PLATE / 21749	8-9-82			 Cole Hersee Co. <small>20 OLD COLONY AVENUE SOUTH BOSTON MA U.S.A. 02127</small>				
				C1	.937	C2	1.281						
				B	REDRAWN	12-11-79	YA	TOLERANCES DECIMAL ± METRIC ±.010	TOGGLE SWITCH				M-484

CH-188(4-78)

MM	IN
.25	.010
.96	.038
1.82	.072
11.09	.437
12.70	.500
25.03	1.025
31.87	1.255
41.14	1.617
15.87	.625

REF
5507

M 493



METRIC

DO NOT SCALE

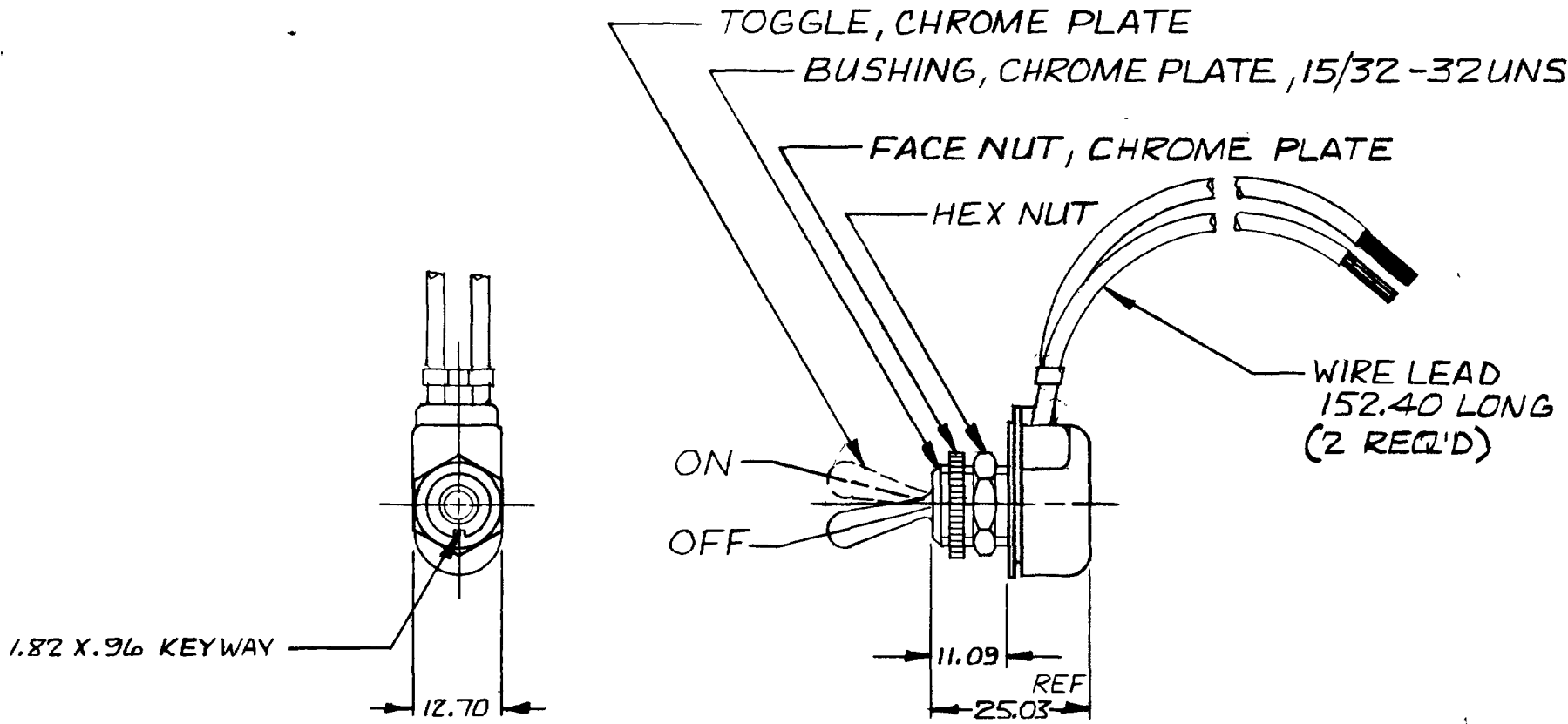
LET	WAS	DATE	BY	LET	WAS	DATE	BY	MATERIAL	DRAWN	CHECKED	APPRV D	SCALE	DATE DRAWN
								H	RJS	DPS		1:1	7-6-54
								FINISH	 Cole Hersee Co. <small>70 OLD COL. ST. LYNN, MASS. SOUTH BOSTON MA U.S.A. 02127</small>				DATE BLUEPRINT
								H					
				B	NICKEL PLATED	21749	8-9-82	(B2)	TOLERANCES DECIMAL ± METRIC ±				DATE DRAWN
			B1	RE-DRAWN	237	B2	1.281	8-9-82					(B2)
													M 493

CH-188(4-78)

MM IN

.25	.010
.96	.038
1.82	.072
11.09	.437
12.70	.500
25.03	1.025
152.40	6.000

M 584



METRIC

DO NOT SCALE

LET	WAS	DATE	BY	LET	WAS	DATE	BY	MATERIAL	DRAWN	CHECKED	APPRV D	SCALE	DATE DRAWN
								H	EA	DPS 8-19-82		1:1	11-27-56
								FINISH	 Cole Hersee Co. <small>20 OLD COLONY AVENUE SOUTH BOSTON MA U.S.A. 02127</small>				DATE BLUEPRINT
								TOLERANCES					TOGGLE SWITCH
				B	REV REDRAWN	21749	8-9-82	(R)	DECIMAL ±				
									METRIC ±				

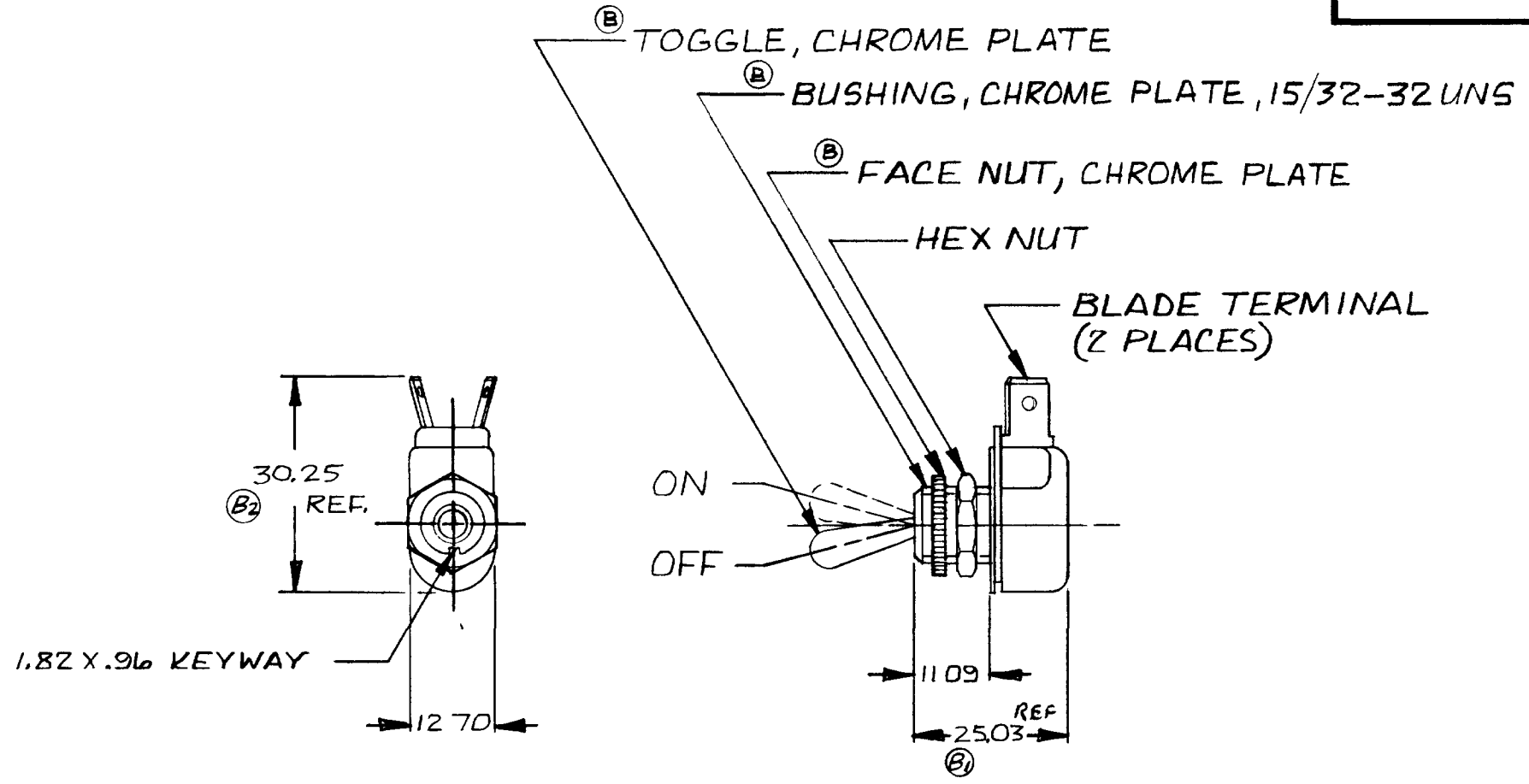
CH-188(4-78)

MM IN

25	.010
11.09	4.37
12.70	.500
25.03	1.025
30.25	1.191
.96	.038
1.82	.072


M-586

REF
55013



METRIC

DO NOT SCALE

LET	WAS	DATE	BY	LET	WAS	DATE	BY	MATERIAL	DRAWN	CHECKED	APPRV'D	SCALE	DATE DRAWN				
								—H—	EA	DPS 8 19 82		1:1	11-27-56				
								FINISH	 20 OLD COLONY AVENUE SOUTH BOSTON MA U.S.A. 02127				DATE BLUEPRINT				
				B	MATERIAL / 21749	8-9-82	(C)	—H—									
				B1	.937	B2	1.281										
				A	REDRAWN	10-19-81	(E)	TOLERANCES	TOGGLE SWITCH				M-586				
								DECIMAL ±									
								METRIC ± 75									

CH-188(4-78)