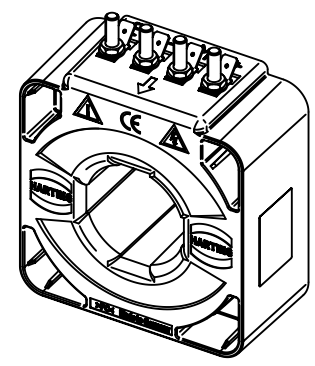
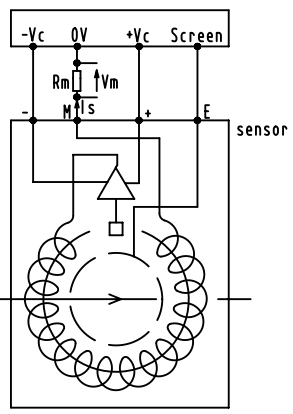
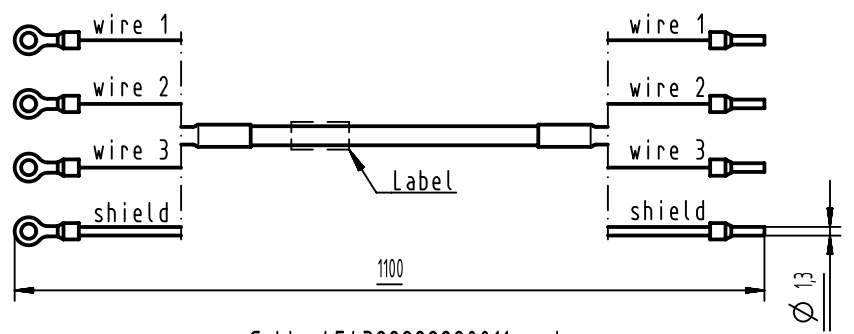
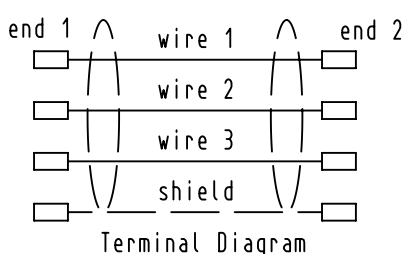
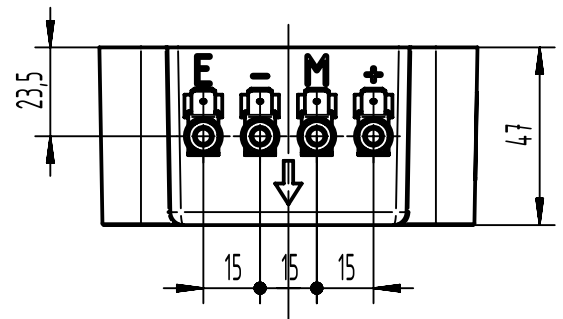
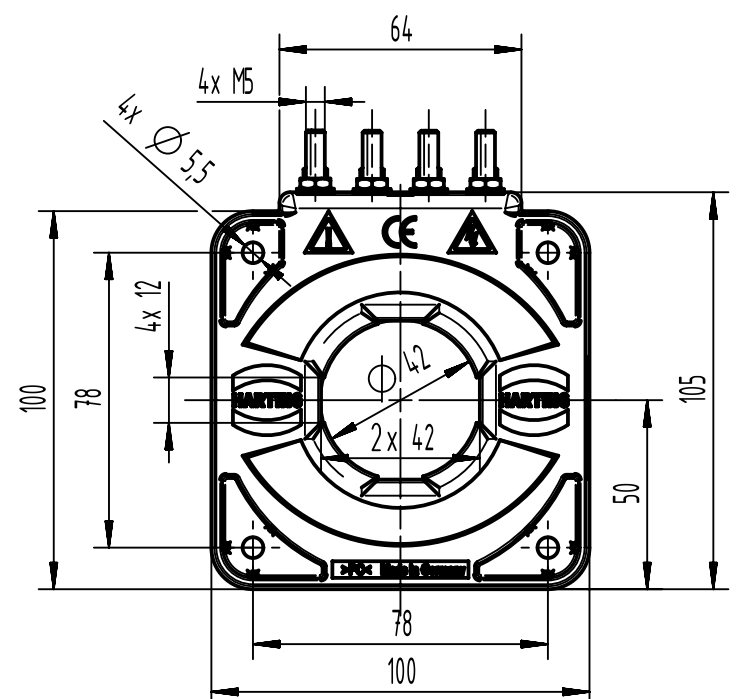
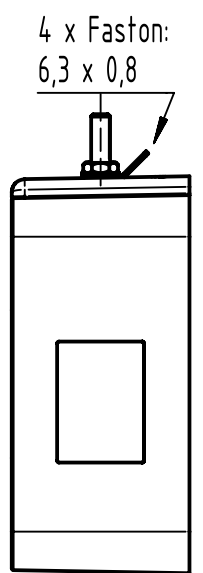


Hall-Element  
Position



Cable 45439999990011 and  
4x locknut M5 unmounted included

All Dimensions in mm Original Size DIN A4		Scale 1:2	Free size tol.		Ref.
All rights reserved Department EL PD - DE		Created by VOLAR	Inspected by MATAU	Standardisation RUETERA	Date 2015-07-23
HARTING Electric GmbH & Co. KG D-32339 Espelkamp		Title Current Sensor 1000A Railw. w.cable			State Final Release
		Type TB	Number 20 31 100 9201		Doc-Key / ECM-Nr. 1005114.93/UGD/000/E 500000092133
				Rev. E	Page 1/1