

NOTE

1. 嵌合相手 : 201644シリーズ
MATE WITH:201644 SERIES.

△2 製品番号

MATERIAL NO.

201645 0** *

極数

色

CIRCUIT SIZE

COLOR

NO.	COLOR
0	NATURAL
1	BLACK

△3 偶数極に適用

APPLY FOR CKT SIZE EQUAL EVEN.

4. 端子テール部及びネイルの平坦度は0.12MAX.とする
TAIL AND NAIL COPLANARITY TO BE 0.12 MAX.

21.45	28.50	31.65	34.60	201645040*	40
21.45	27.00	30.15	33.10	201645038*	38
21.45	25.50	28.65	31.60	201645036*	36
17.85	24.00	27.15	30.10	201645034*	34
17.85	22.50	25.65	28.60	201645032*	32
17.85	21.00	24.15	27.10	201645030*	30
17.85	19.50	22.65	25.60	201645028*	28
12.00	18.00	21.15	24.10	201645026*	26
12.00	16.50	19.65	22.60	201645024*	24
12.00	15.00	18.15	21.10	201645022*	22
12.00	13.50	16.65	19.60	201645020*	20
8.50	12.00	15.15	18.10	201645018*	18
8.50	10.50	13.65	16.60	201645016*	16
8.50	9.00	12.15	15.10	201645014*	14
5.55	7.50	10.65	13.60	201645012*	12
5.55	6.00	9.15	12.10	201645010*	10
D	C	B	A	オーダー番号 ORDER NO.	極数 CKT NO.

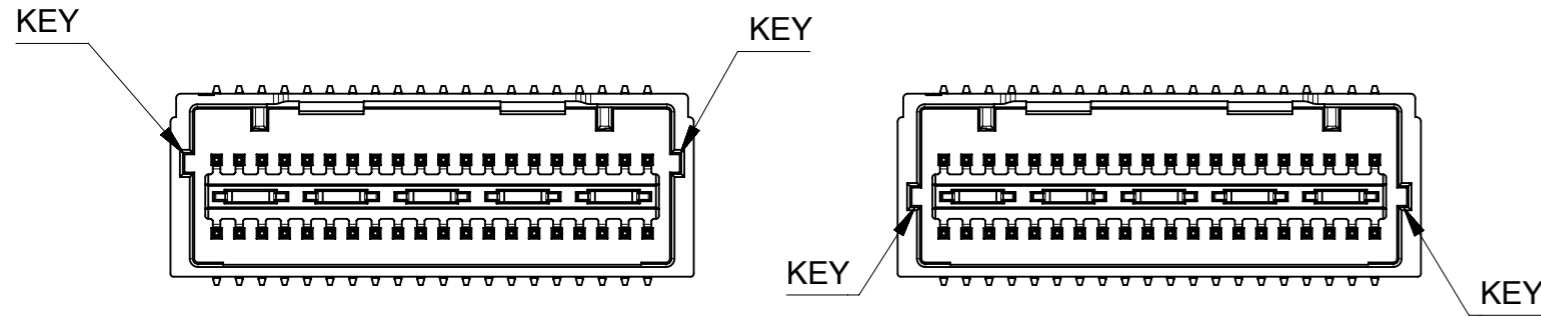
部品 PART	材質 MATERIAL		
ハウジング HOUSING	ポリアミド(PA), ガラス充填, UL94V-0, 色 : 注記参照 POLYAMIDE(PA), GLASS FILLED, UL94V-0, COLOR: SEE NOTE		
ターミナル TERMINAL	黄銅 BRASS	前めっき PRE-PLATED	
	錫めっき (リフロー処理), 1.0µm以上 TIN PLATED (HEAT TREATED MATTE TIN), 1.0µm MIN.		
	ニッケルめっき (下地), 0.5µm以上 NICKEL (UNDER-PLATED), 0.5µm MIN.		
DOCUMENT STATUS	P1	RELEASE DATE	2018/05/24 07:40:48

THIS DRAWING CONTAINS INFORMATION THAT IS PROPRIETARY TO MOLEX ELECTRONIC TECHNOLOGIES, LLC AND SHOULD NOT BE USED WITHOUT WRITTEN PERMISSION

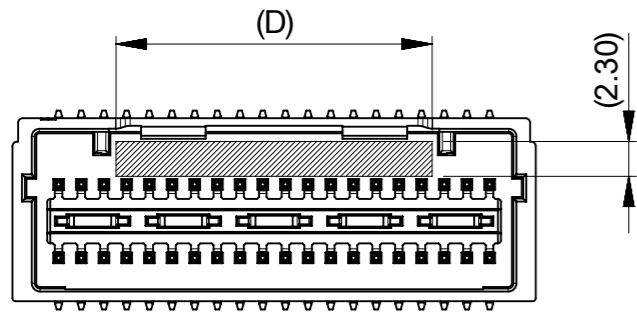
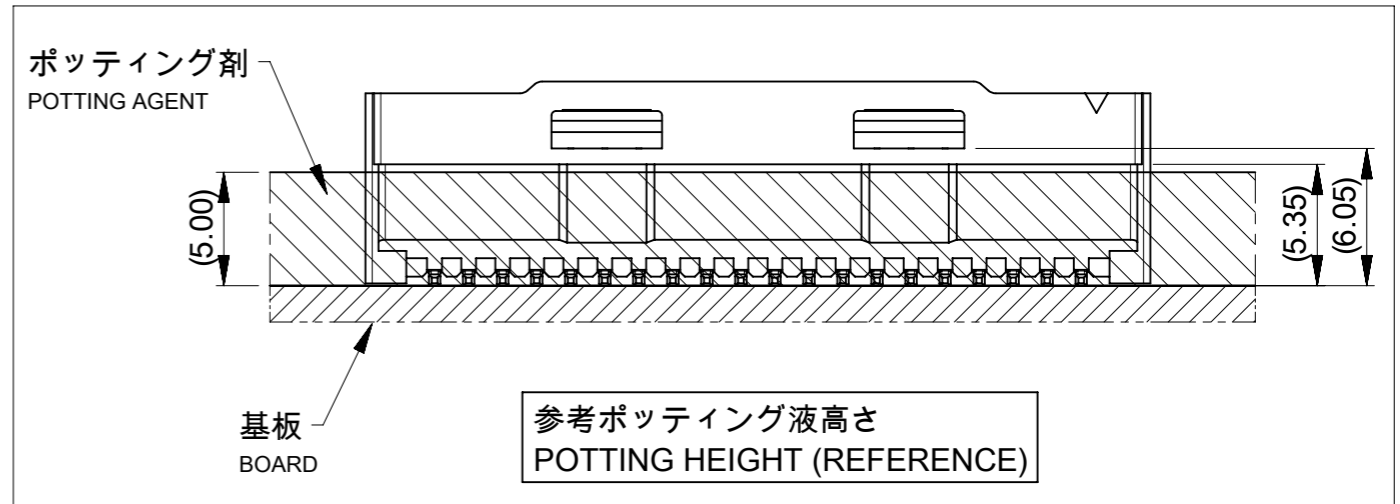
DIMENSION UNITS	SCALE	CURRENT REV DESC:		molex		
mm	2:1					
GENERAL TOLERANCES (UNLESS SPECIFIED)		EC NO: 177140		SPOT-ON1.5 DUAL PLUG ASSY W/O NAIL		
ANGULAR TOL	± 3.0 °	DRWN: AISHIKAWA	2018/05/24	PRODUCT CUSTOMER DRAWING		
4 PLACES	± 0.2	CHK'D: AIDA	2018/05/24	DOCUMENT NUMBER		
3 PLACES	± 0.2	APPR: TKANEKO	2018/05/24	2016450001		DOC TYPE
2 PLACES	± 0.2	INITIAL REVISION:		PSD	000	REVISION
1 PLACE	± 0.2	DRWN: MIKEDA01	2017/02/09	E		
0 PLACES	± 0.2	APPR: TKANEKO	2017/02/15	SHEET NUMBER		
DRAFT WHERE APPLICABLE MUST REMAIN WITHIN DIMENSIONS		THIRD ANGLE PROJECTION	DRAWING	SERIES	MATERIAL NUMBER	CUSTOMER
			A3-SIZE	201645	2016450***	GENERAL
						1 OF 3

NATURAL (BEIGE)

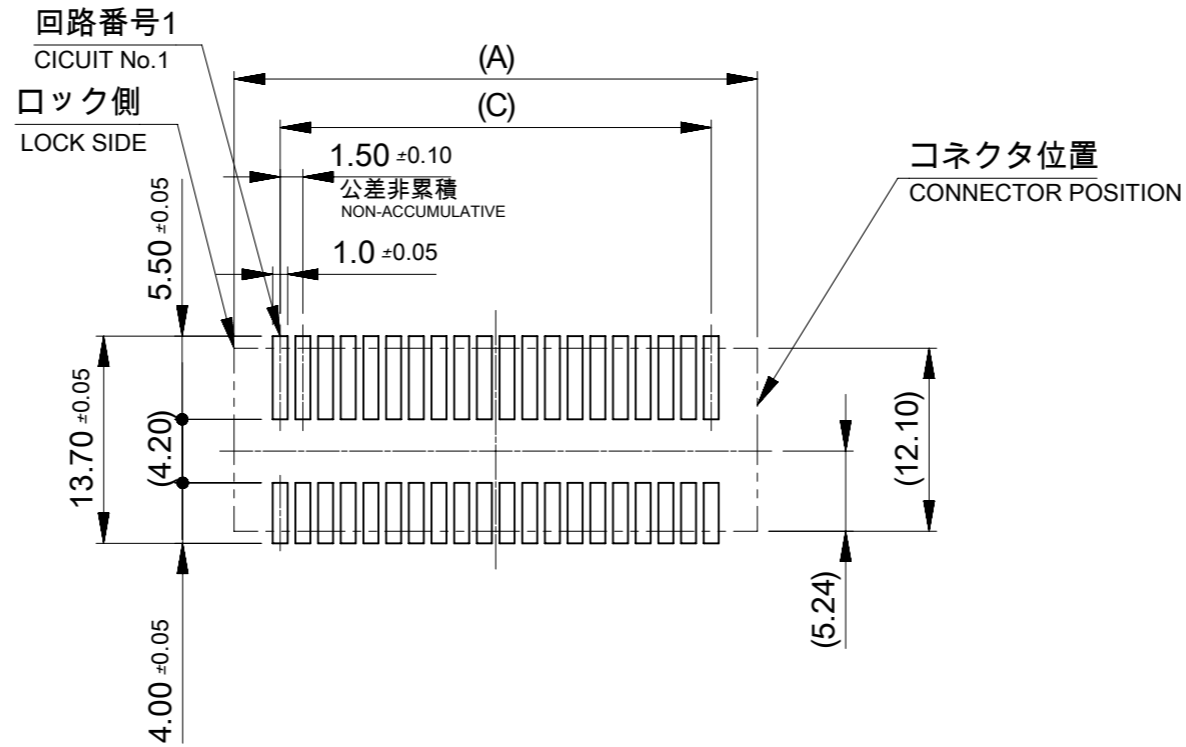
BLACK



色によるキー位置違い
COLOR VS KEY POSITION

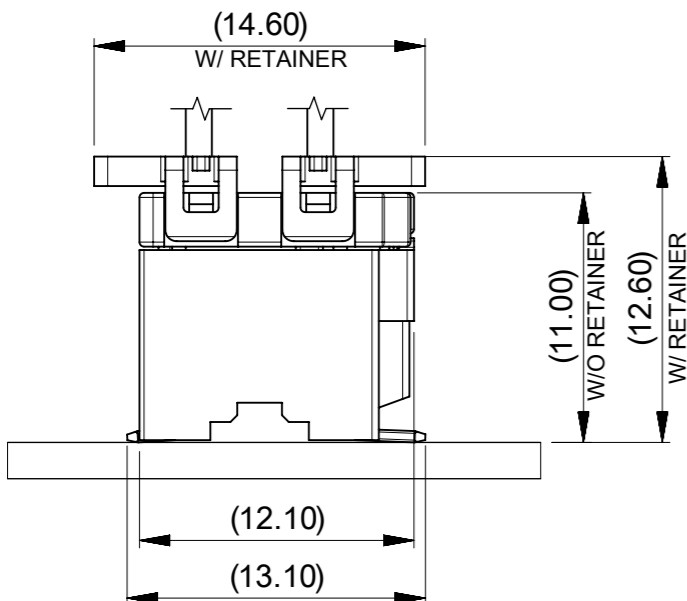


吸着範囲
VACCUME AREA



推奨基板パターンレイアウト
RECCOMENDED PCB PATTERN LAYOUT

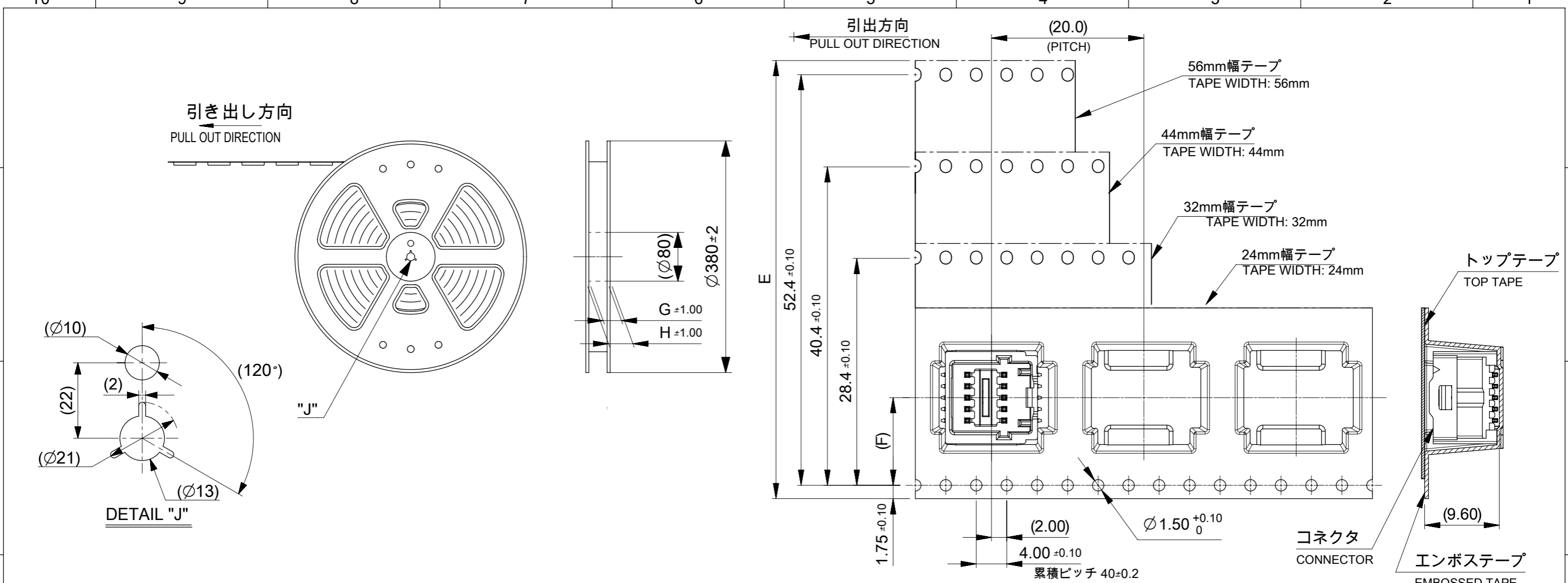
メタルマスク厚 : 0.15
METAL MASK THICKNESS: 0.15
開口率: 100%
APARTURE RATIO: 100%



嵌合高さ
MATING HEIGHT

BLACK	NATURAL (BEIGE)	HOUSING COLOR
2016450401	2016450400	40
2016450381	2016450380	38
2016450361	2016450360	36
2016450341	2016450340	34
2016450321	2016450320	32
2016450301	2016450300	30
2016450281	2016450280	28
2016450261	2016450260	26
2016450241	2016450240	24
2016450221	2016450220	22
2016450201	2016450200	20
2016450181	2016450180	18
2016450161	2016450160	16
2016450141	2016450140	14
2016450121	2016450120	12
2016450101	2016450100	10
エンボステープ梱包 EMBOSSSED TAPE PKG		極数 CKT NO.
△ 2 オーダー番号 ORDER NO.		

THIS DRAWING CONTAINS INFORMATION THAT IS PROPRIETARY TO MOLEX ELECTRONIC TECHNOLOGIES, LLC AND SHOULD NOT BE USED WITHOUT WRITTEN PERMISSION									
DIMENSION UNITS		SCALE		CURRENT REV DESC:					
mm		2:1		molex					
GENERAL TOLERANCES (UNLESS SPECIFIED)				SPOT-ON1.5 DUAL PLUG ASSY W/O NAIL					
ANGULAR TOL ± 3.0°				PRODUCT CUSTOMER DRAWING					
4 PLACES ± 0.2				EC NO: 177140		2018/05/24		DOCUMENT NUMBER	
3 PLACES ± 0.2				DRWN: AISHIKAWA		2018/05/24		2016450001	
2 PLACES ± 0.2				CHK'D: AIDA		2018/05/24		DOC TYPE DOC PART REVISION	
1 PLACE ± 0.2				APPR: TKANEKO		2018/05/24		PSD 000 E	
0 PLACES ± 0.2				INITIAL REVISION:					
DRAFT WHERE APPLICABLE MUST REMAIN WITHIN DIMENSIONS				DRWN: MIKEDA01		2017/02/09			
THIRD ANGLE PROJECTION				APPR: TKANEKO		2017/02/15			
DRAWING				SERIES		MATERIAL NUMBER		CUSTOMER	
A3-SIZE				201645		2016450***		GENERAL	
								SHEET NUMBER	
								2 OF 3	



60.4	56.4	26.2	56±0.3	201645040*	40
				201645038*	38
48.4	44.4	20.2	44±0.3	201645036*	36
				201645034*	34
				201645032*	32
				201645030*	30
				201645028*	28
				201645026*	26
				201645024*	24
36.4	32.4	14.2	32±0.3	201645022*	22
				201645020*	20
				201645018*	18
28.4	24.4	11.5	24 ^{+0.3} _{-0.1}	201645016*	16
				201645014*	14
				201645012*	12
				201645010*	10
H	G	F	E エンボステープ幅 WIDTH OF TAPE	エンボステープ梱包 EMBOSSSED TAPE PKG	極数 CKT NO.
				オーダー番号 ORDER NO.	

NOTES

- 梱包数量：450個 / リール
NUMBER OF CONNECTORS : 450 PCS/REEL.
 - リードテープ長さ
LEAD TAPE LENGTH.
- トップテープ未接着部 (空エンボス)
TOP TAPE NON-BONDED PART. (EMPTY)
- トップテープ接着部 (空エンボス)
TOP TAPE BONDED PART. (EMPTY)
- 引出し方向
PULL OUT DIRECTION
- 25±10 20-25PCS
- 400 MIN.
- トップテープリーダー部
TOP TAPE LEADER PART
- 部品挿入部
COMPONENT SUPPLIER
- 末端部 (空部)
TAIL PART (EMPTY)
30-35 PCS
- 材料
キャリアテープ：ポリスチレン(PS)、その他
トップテープ：ポリエステル(PET)、その他
リール：ポリスチレン(PS)リサイクル材を含む
MATERIALS
CARRIER TAPE : POLYSTYRENE(PS), OTHER
TOP TAPE : POLYESTER(PET), OTHER
REEL : POLYSTYRENE(PS) RECYCLE MATERIAL CONTAINED

THIS DRAWING CONTAINS INFORMATION THAT IS PROPRIETARY TO MOLEX ELECTRONIC TECHNOLOGIES, LLC AND SHOULD NOT BE USED WITHOUT WRITTEN PERMISSION

DIMENSION UNITS mm	SCALE 2:1	CURRENT REV DESC:				
GENERAL TOLERANCES (UNLESS SPECIFIED)						
ANGULAR TOL	± 3.0°				SPOT-ON1.5 DUAL PLUG ASSY W/O NAIL	
4 PLACES	± 0.2				PRODUCT CUSTOMER DRAWING	
3 PLACES	± 0.2				DOCUMENT NUMBER 2016450001	
2 PLACES	± 0.2				DOC TYPE PSD	
1 PLACE	± 0.2	DOC PART 000				
0 PLACES	± 0.2	REVISION E				
DRAFT WHERE APPLICABLE MUST REMAIN WITHIN DIMENSIONS	THIRD ANGLE PROJECTION	DRAWING A3-SIZE	SERIES 201645	MATERIAL NUMBER 2016450***		
		CUSTOMER GENERAL	SHEET NUMBER 3 OF 3			