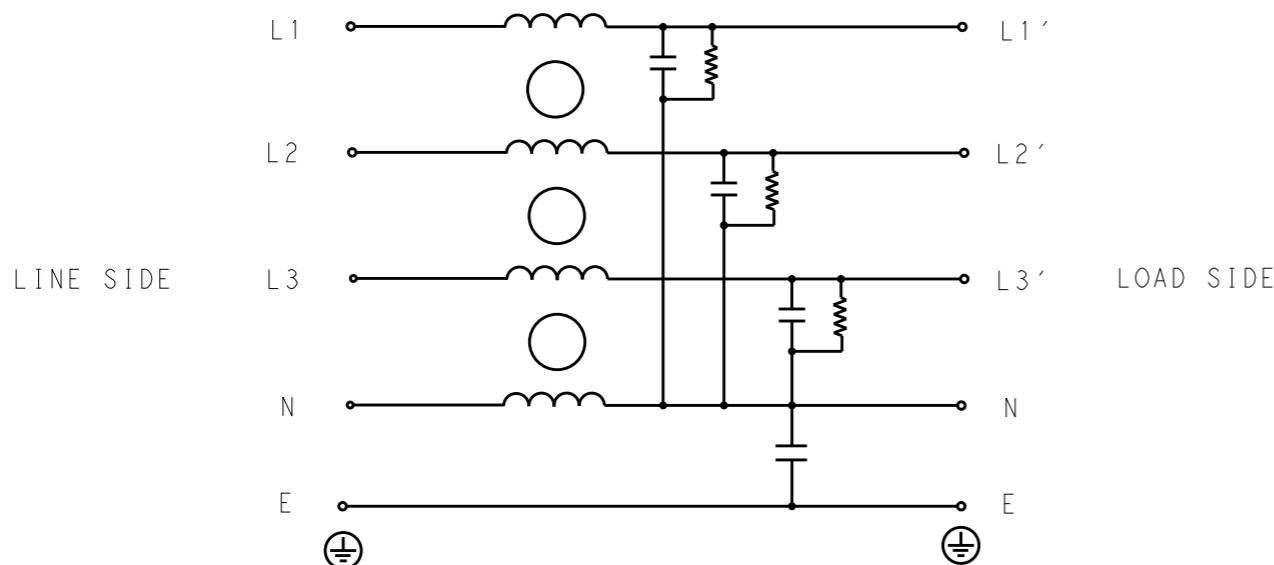


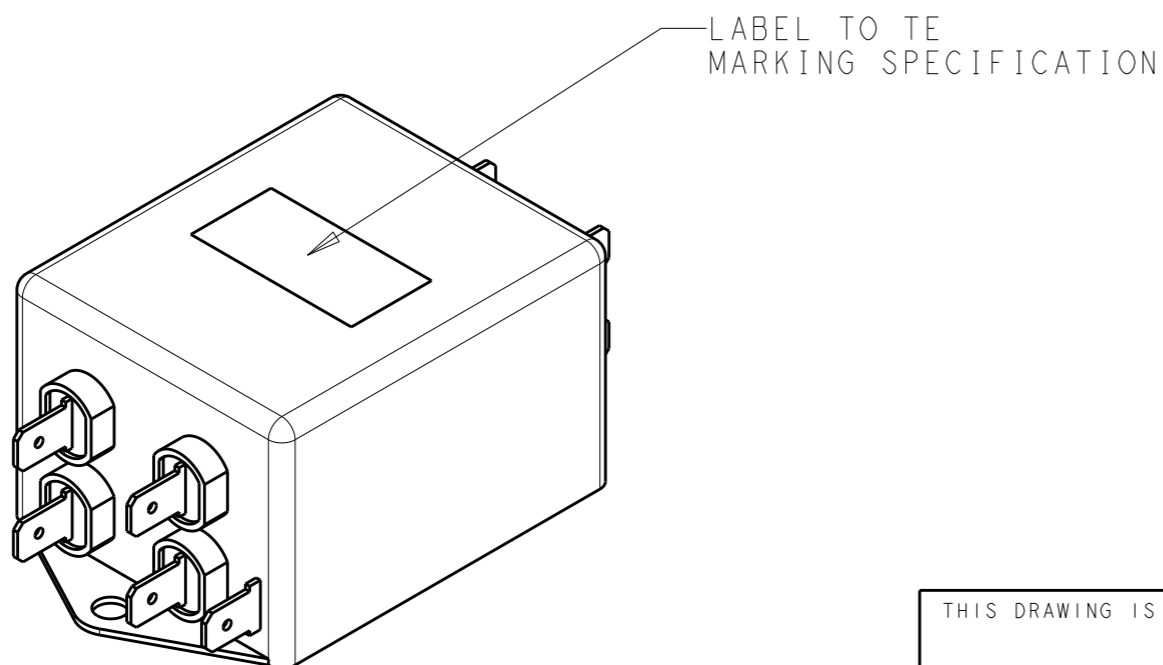
P	LTR	DESCRIPTION	DATE	DWN	APVD
	B	INITIAL RELEASE	07JUL2020	SB	LI



SCHEMATIC

TYPICAL INSERTION LOSS  
COMMON MODE 50/50Ω; DIFFERENTIAL MODE 50/50Ω

MHz	0.01	0.05	0.15	0.5	1	3	5	10	30
CM	3	3	4	11	22	40	35	36	43
DM	3	4	6	19	27	30	36	38	49



SAFETY ORGANIZATIONS

THIS FILTER WILL BE FORMALLY RECOGNIZED, CERTIFIED OR APPROVED BY THE LISTED AGENCY. THEREFORE, ALL TEST/REQUIREMENTS SPECIFIED IN THE LATEST REVISION OF THE FOLLOWING AGENCY STANDARDS WILL BE MET:

UL RECOGNIZED\* 1A 440V 50Hz/60Hz 40°C  
 CSA CERTIFIED\*\* 1A 440V 50Hz/60Hz 40°C  
 \*31 JULY 2020 ; \*\*31 AUGUST 2020

OPERATING SPECIFICATION

LINE CURRENT/VOLTAGE: 1A, 440VAC  
 LINE FREQUENCY: 50/60Hz

MAXIMUM LEAKAGE CURRENT: 3mA @ 230VAC, 50Hz

OPERATING AMBIENT TEMPERATURE RANGE @ RATED CURRENT: -25°C TO +40°C

IN AN AMBIENT, T<sub>a</sub>, HIGHER THAN 40°C, THE MAXIMUM OPERATING CURRENT, I<sub>o</sub>, IS AS FOLLOWS:

$$I_o = I_r \sqrt{\frac{85 - T_a}{45}}$$

RELIABILITY SPECIFICATIONS

STORAGE TEMPERATURE: -40°C TO +85°C  
 HUMIDITY: 21 DAYS @ 40°C AND 95% RH

TEST SPECIFICATIONS

INDUCTANCE, NOMINAL: 1mH

CAPACITANCE @ 1kHz  
 NEUTRAL TO GROUND, NOMINAL: 22nF  
 LINE TO NEUTRAL, NOMINAL: 100nF

DISCHARGE RESISTOR

L/G I.R. 2MΩ 1W  
 L/L I.R. 2MΩ 1W  
 L/N I.R. 1MΩ 1W  
 N/G I.R. 680KΩ 1W  
 IR (NO DISCHARGE RESISTOR) 20°C, 50% RH AND 100VDC, MIN: 6MΩ

RECOMMENDED RECEIVING INSPECITON HIPOT

LINE TO GROUND FOR 1 MINUTE: 2632VDC  
 LINE TO LINE FOR 1 MINUTE: 1892VDC  
 LINE TO NEUTRAL FOR 1 MINUTE: 1093VDC

FILTER APPROVAL

THE BEST WAY TO SELECT AND QUALIFY A FILTER IS FOR YOUR ENGINEERING TO TEST THE UNIT IN YOUR EQUIPMENT.

THIS DRAWING IS A CONTROLLED DOCUMENT.		DWN 19FEB2020 SHRICHARANA B		
DIMENSIONS: mm		CHK 19FEB2020 LEO IRUDHAYARAJ		
TOLERANCES UNLESS OTHERWISE SPECIFIED:		APVD 19FEB2020 LEO IRUDHAYARAJ	NAME POWER LINE FILTER 1KESS1AFPW	
0 PLC ±-		PRODUCT SPEC	SIZE	
1 PLC ±0.5		APPLICATION SPEC	CAGE CODE	
2 PLC ±0.40		WEIGHT	DRAWING NO	
3 PLC ±0.130		CUSTOMER DRAWING	A300779	
4 PLC ±0.0500		SCALE 1:1	SHEET 1 OF 2	
ANGLES ±-		RESTRICTED TO	REV B	
MATERIAL		DRAWING NO C=1-1609966-0		
FINISH		SCALE 1:1 SHEET 1 OF 2 REV B		

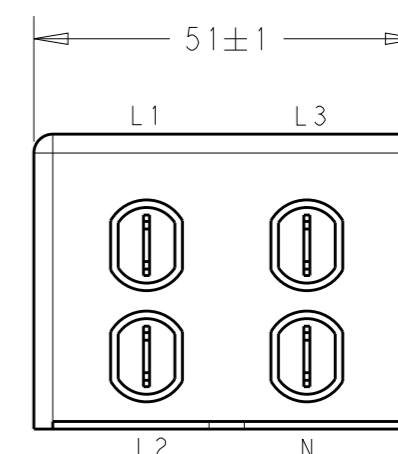
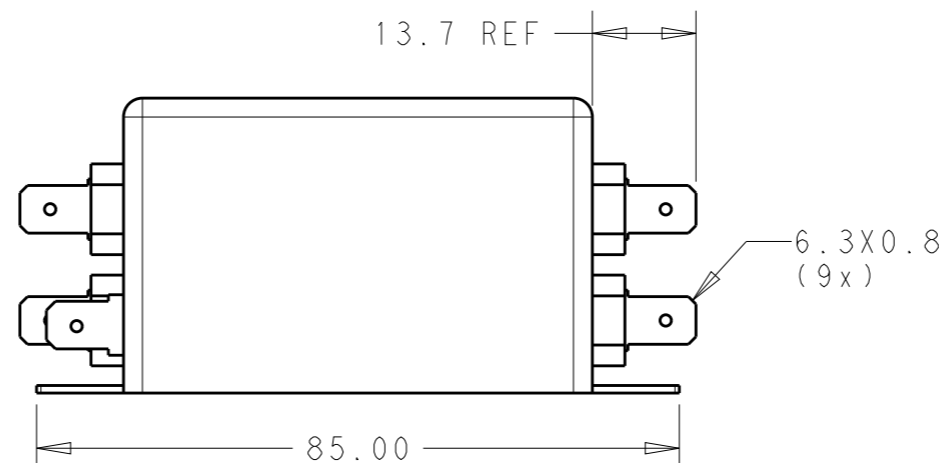
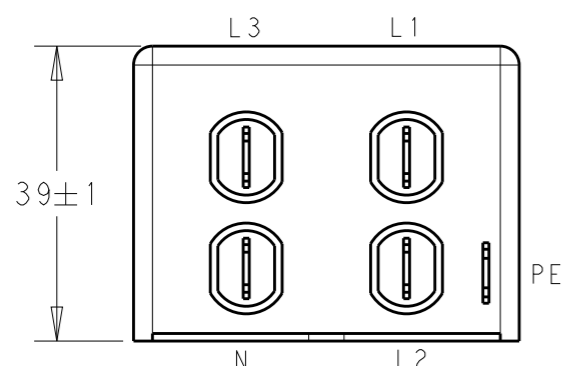
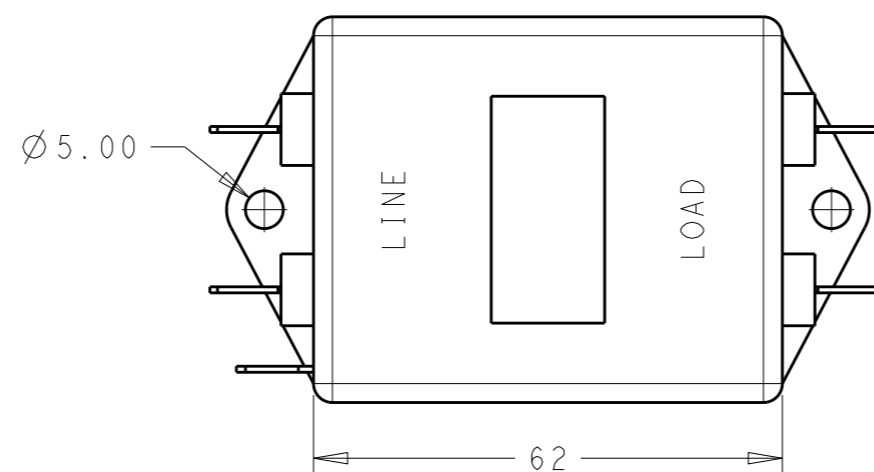
© 2020 TE Connectivity. All Rights Reserved.

NOTE 1 GROUND CONNECTION:  
DO NOT LOOSEN INNER GROUND NUTS.  
TORQUE OUTER TERMINAL /GROUND NUTS: XXX

NOTE 2 INPUT OUTPUT CONNECTION TERMINAL  
AWG SIZE: XXX

REVISIONS

P	LTR	DESCRIPTION	DATE	DWN	APVD
		SEE SHEET 1			



THIS DRAWING IS A CONTROLLED DOCUMENT.		DWN 19FEB2020 SHRICHARANA B			
DIMENSIONS: mm		CHK 19FEB2020 LEO IRUDHAYARAJ			
TOLERANCES UNLESS OTHERWISE SPECIFIED:		APVD 19FEB2020 LEO IRUDHAYARAJ		NAME POWER LINE FILTER 1KES11AFPW	
0 PLC ±- 1 PLC ±0.5 2 PLC ±0.40 3 PLC ±0.130 4 PLC ±0.0500 ANGLES ±-		PRODUCT SPEC -		RESTRICTED TO -	
MATERIAL -		FINISH -		APPLICATION SPEC -	
		WEIGHT -		SIZE A300779	
		CUSTOMER DRAWING		DRAWING NO G-1-1609966-0	
				SCALE 1:1	
				SHEET 2 OF 2	
				REV B	