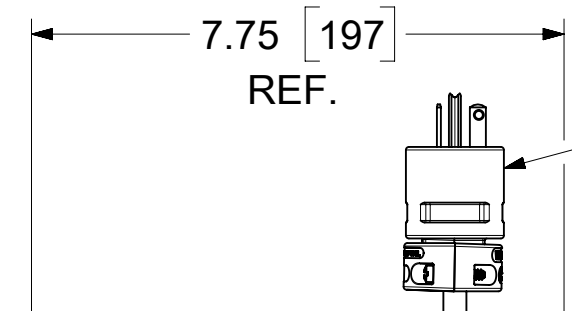
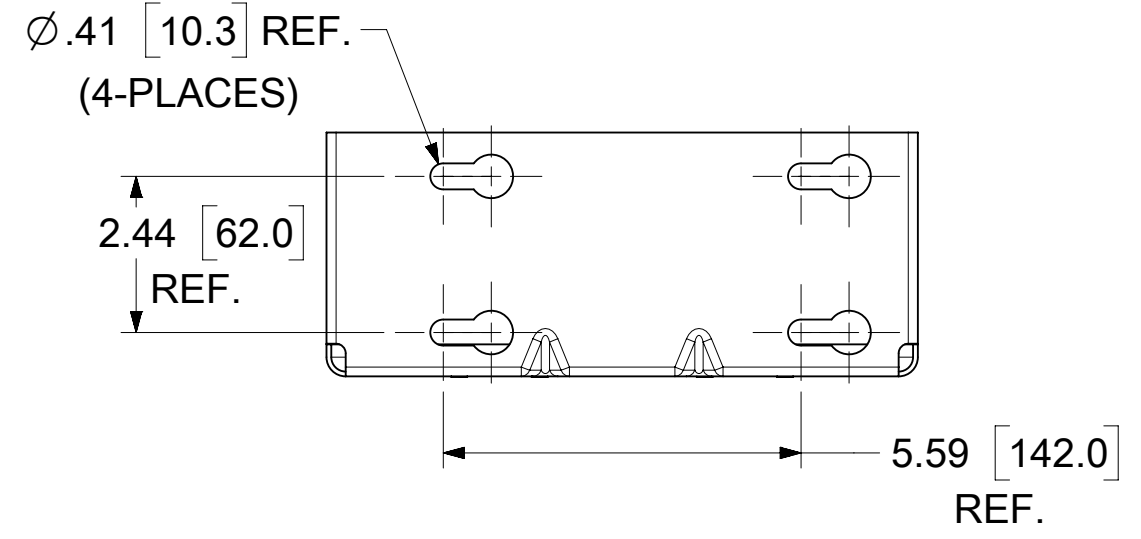
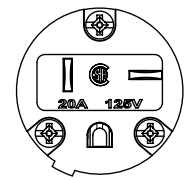
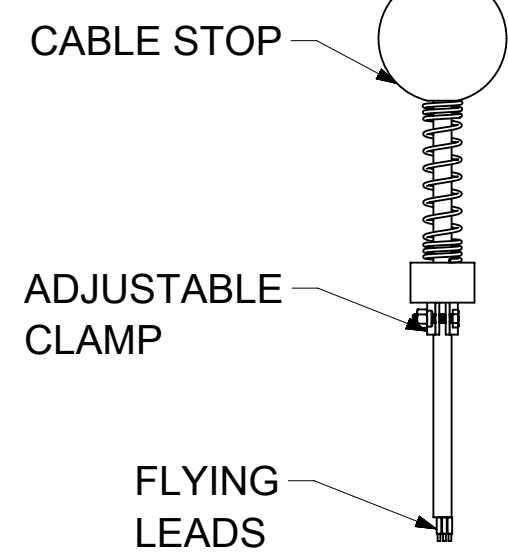
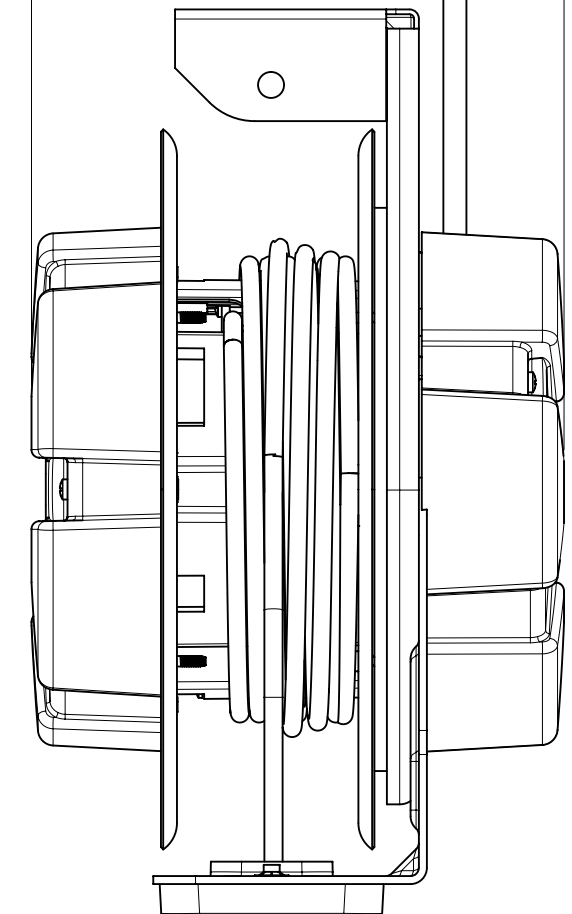


ORDER NO	130091-0202
WOODHEAD ENG. NO	998
WIRE GAUGE	12
CONDUCTORS	3
AMPERAGE	20A
WORKING CORD	35 FT. BLACK
CORD TYPE	SJTOW
CONSTRUCTION	STEEL
PAINT	YELLOW POWDER COAT
REEL ENCLOSURE RATING	INDOOR
RETRACTION WEIGHT	3.0 LB [1.4 KG]

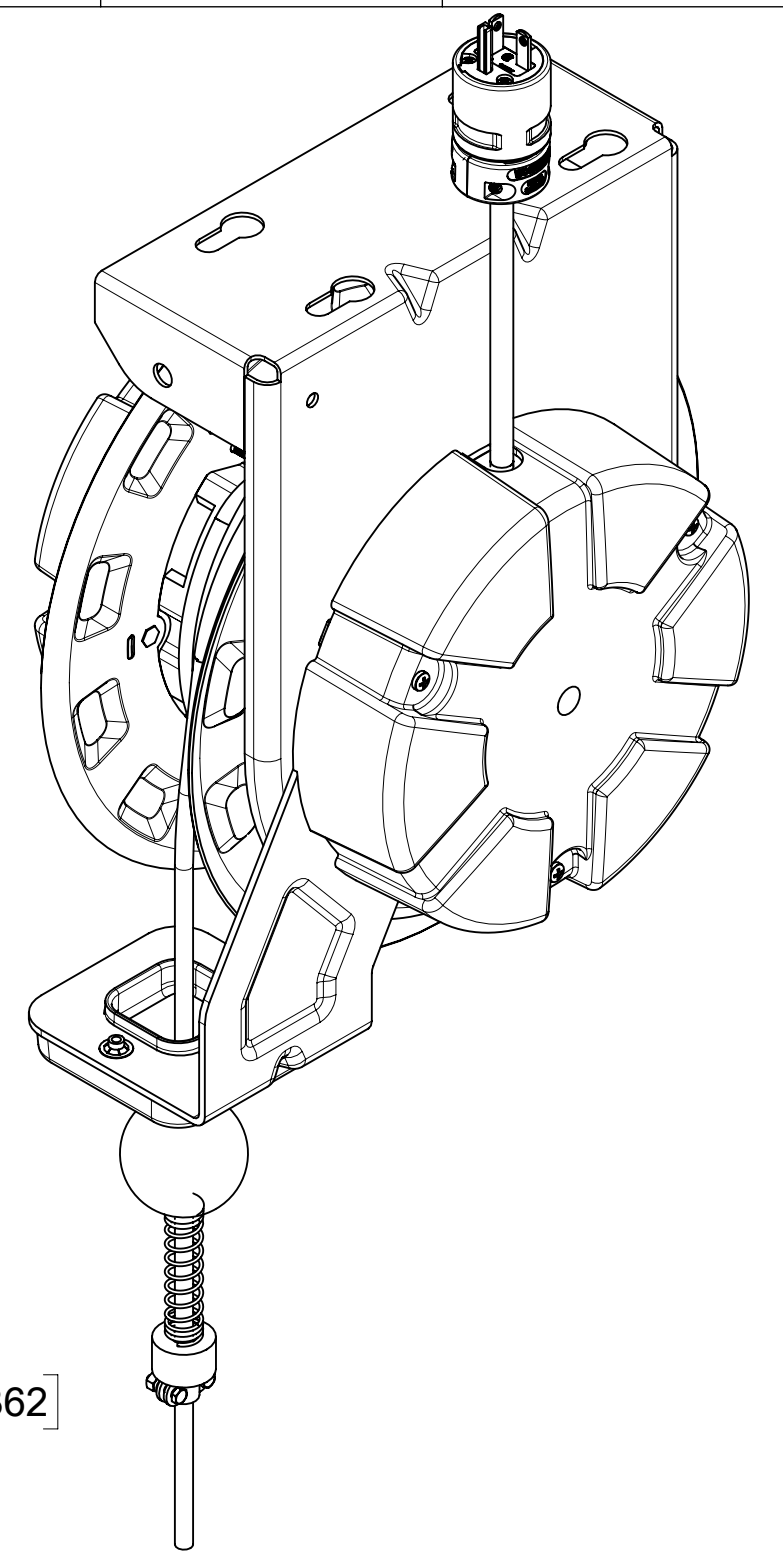
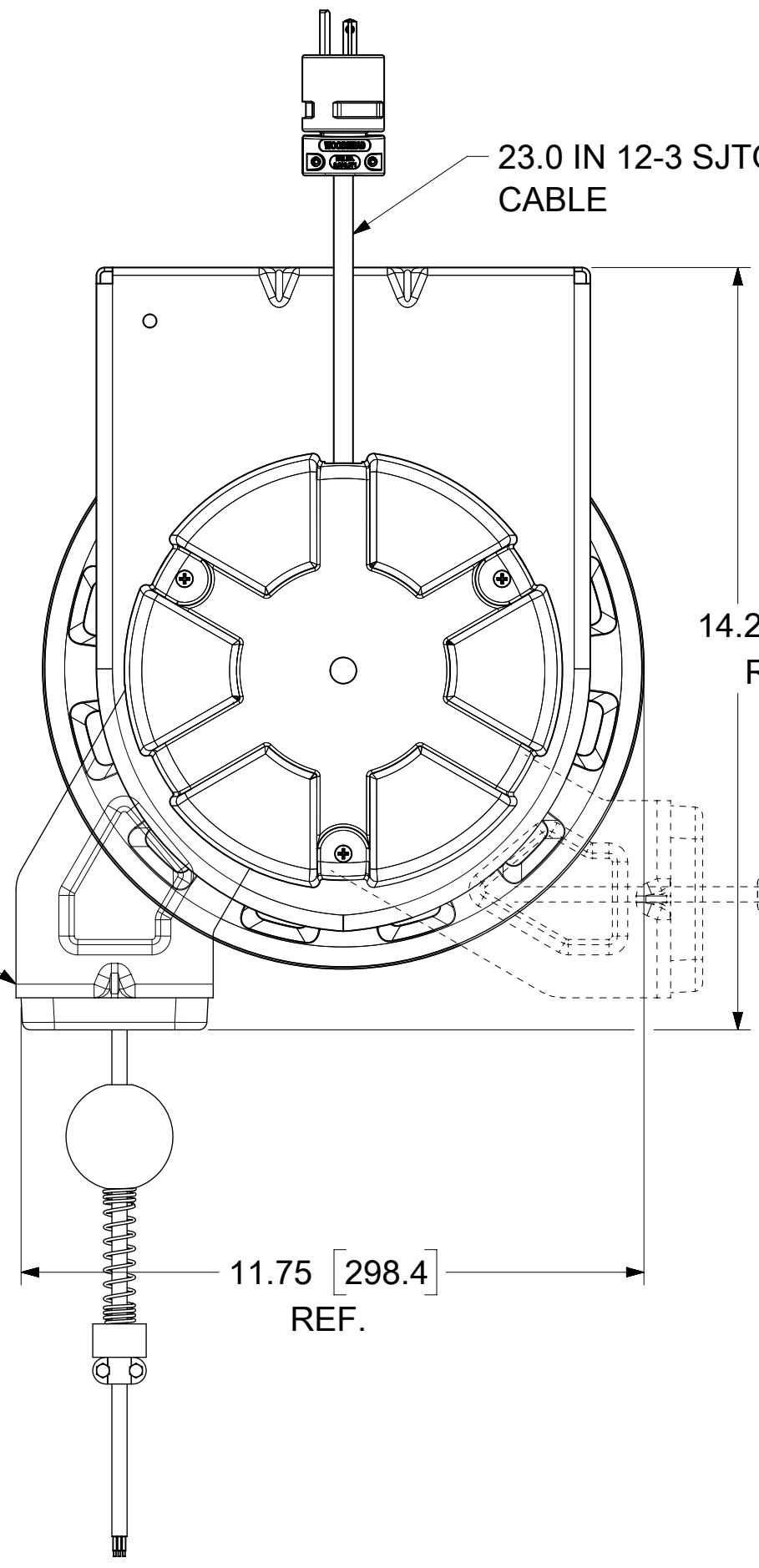
**FACE VIEW  
OF PLUG**



NEMA 5-20  
ASSEMBLED PLUG  
COLOR YELLOW



GUIDE ARM  
CAN ROTATE 90°



- NOTES:**
1. CABLE GUIDE IS ADJUSTABLE - DUAL POSITION
  2. RATCHET LOCK IS EASY TO DISENGAGE FOR CONSTANT TENSION.
  3. REEL CANNOT BE "LOCKED OUT" AT FULL TENSION.
  4. CABLE STOP INCLUDED

FUNCTIONAL SYMBOLS $\nabla_A = 0$ $\nabla_C = 0$ $\nabla_P = 0$ DIVISIONAL SYMBOLS	THIS DRAWING CONTAINS INFORMATION THAT IS PROPRIETARY TO MOLEX ELECTRONIC TECHNOLOGIES, LLC AND SHOULD NOT BE USED WITHOUT WRITTEN PERMISSION											
	DIMENSION UNITS		SCALE		CURRENT REV DESC: RELEASE CUSTOMER DRAWING							
	INCH/MM		NTS									
	GENERAL TOLERANCES (UNLESS SPECIFIED)				EC NO: 670504		DRWN: DSOPPIN		2020/06/15		20A CORD REEL FLY-LEADS 35' #12-3 SJTOW NEMA 5-20 PLUG PRODUCT CUSTOMER DRAWING DOCUMENT NUMBER: <b>SD-130091-012</b> DOC TYPE: PSD DOC PART: 001 REVISION: <b>A1</b>	
4 PLACES ±		±		CHK'D: DSOPPIN		2022/05/17						
3 PLACES ±		± 0.005		APPR: HKNEELAND		2022/06/09						
2 PLACES ±		± 0.13 ± 0.01		INITIAL REVISION:								
1 PLACE ±		± 0.25 ± 0.02		DRWN: KCOXO1		2015/07/30						
0 PLACES ±		±		APPR: JFMURPHY		2015/09/17						
ANGULAR TOL ± 0.5°				THIRD ANGLE PROJECTION		DRAWING		SERIES		MATERIAL NUMBER		
DRAFT WHERE APPLICABLE MUST REMAIN WITHIN DIMENSIONS						C-SIZE		130091		SEE TABLE		
DOCUMENT STATUS		P1		RELEASE DATE		2022/06/09		16:37:20		GENERAL MARKET		
12		11		10		9		8		1 OF 1		