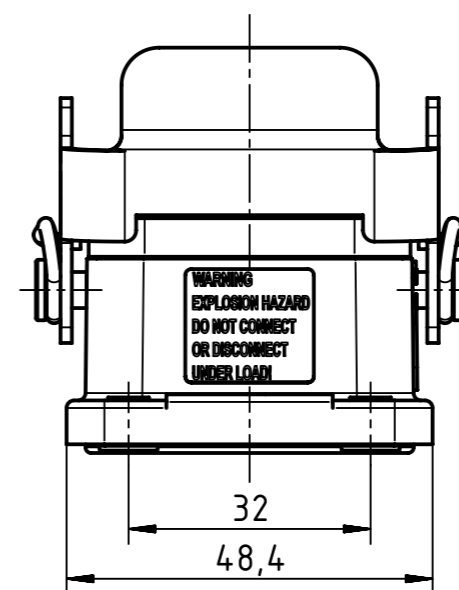
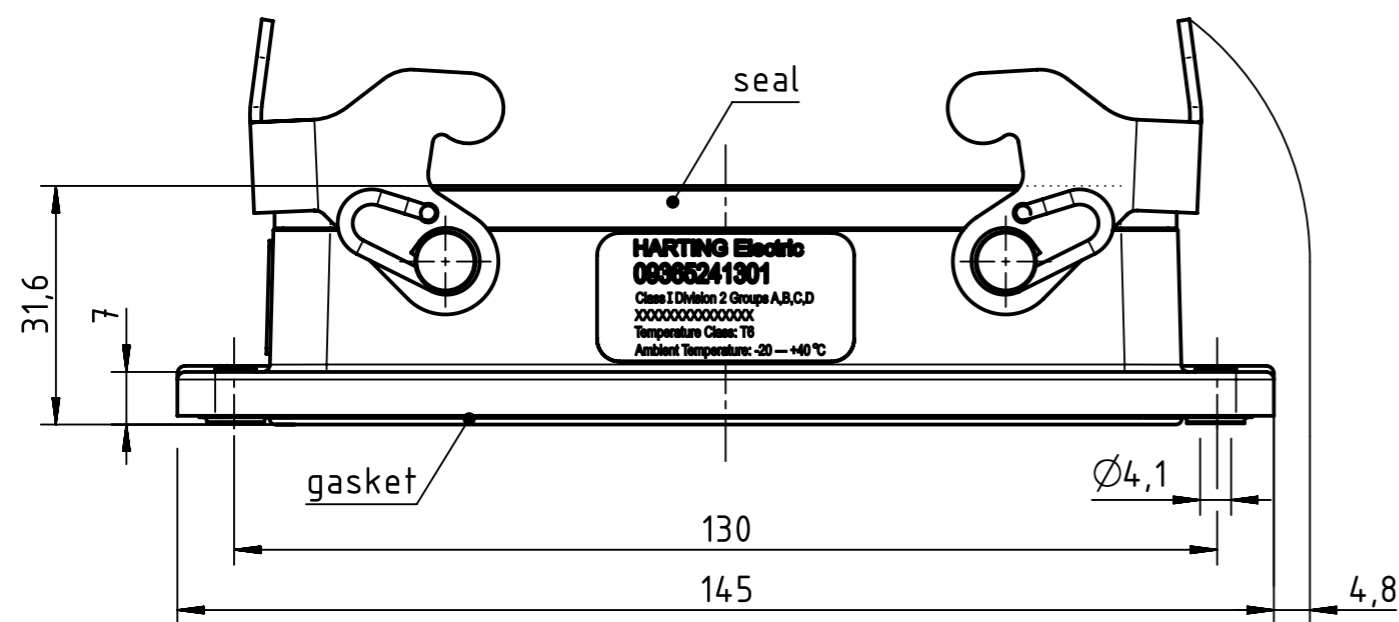


FOR USE WITH AWG 12, 14 AND 16

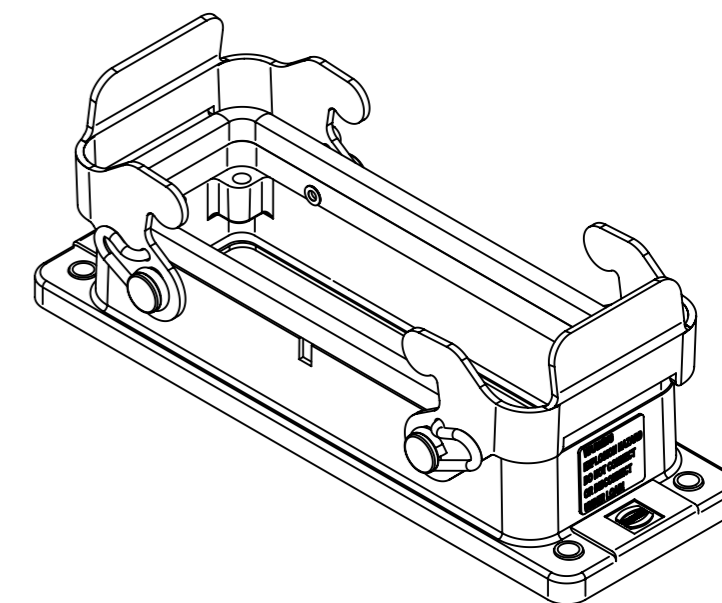
FOR USE WITH CABLE TYPE:  
PLTC, PLTC-ER, ITC, ITC-ER, MC, MV AND TC

FOR USE IN CLASS I, DIVISION 2 GROUPS A, B, C AND D  
HAZARDOUS LOCATIONS OR UNCLASSIFIED LOCATIONS

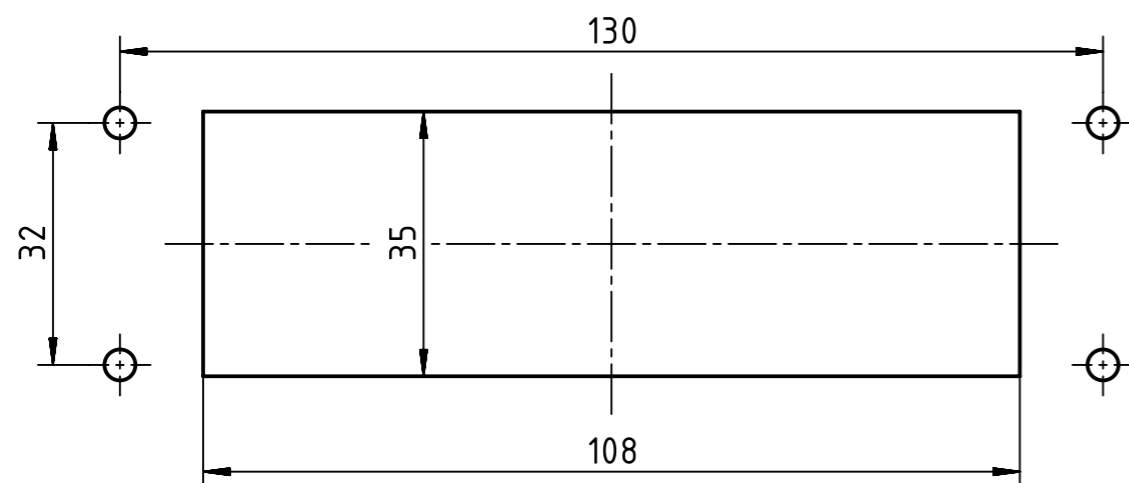
THE INSTALLATION MUST BE IN ACCORDANCE WITH THE ASSOCIATED LOCATION RESTRICTIONS OF THE NATIONAL ELECTRIC CODE OR CANADIAN ELECTRICAL CODE AS APPLICABLE, INCLUDING ISSUES SUCH AS THE ROUTING, SUPPORT AND LENGTH OF THE INVOLVED CORD OR CABLE.



**WARNING  
EXPLOSION HAZARD  
DO NOT CONNECT  
OR DISCONNECT  
UNDER LOAD!**



panel cut out



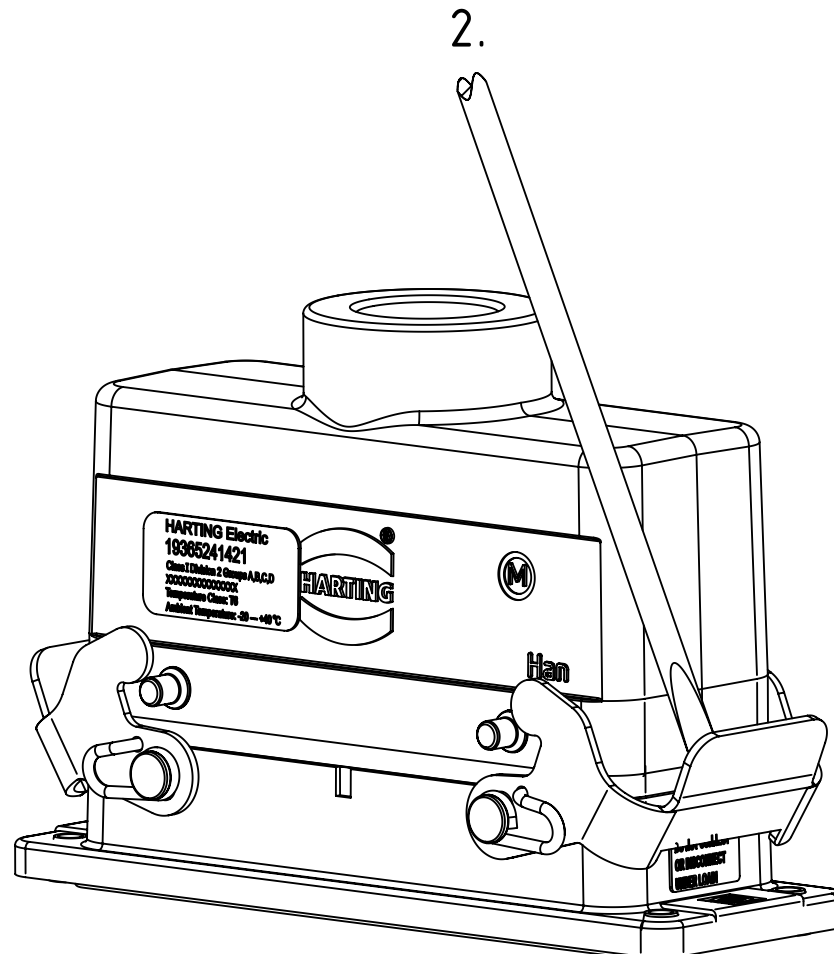
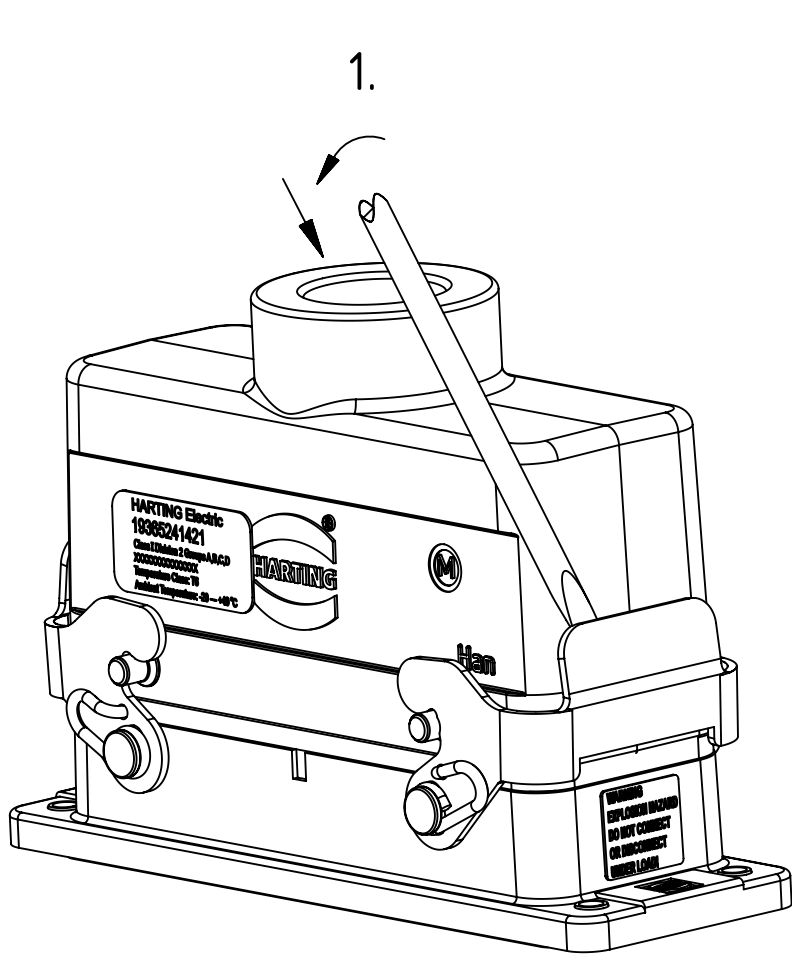
	All rights reserved	Created by LONGL	Inspected by WENE	Standardisation RUETERA	Date 2018-06-27	State Final Release	Ref. Sub.
	Department EL PD	Title Han 24Ex UL-HBM-DL		Doc-Key / ECM-Nr. 100670251/UGD/000/D 500000136860		Rev. D	Page 1/2
HARTING (Zhuhai) Manufacturing Co., Ltd. 519085 Zhuhai, China		Type TB	Number 09 36 524 1301				

A

B

C

D



To separate connectors, insert small flat head tool or screwdriver between metal lever and housing as shown in the diagram,. Press screwdriver in a downward direction until the metal lever releases.

To secure the hood and housing assembly together, press the metal levers in the upward direction until metal lever latches into housing pins.