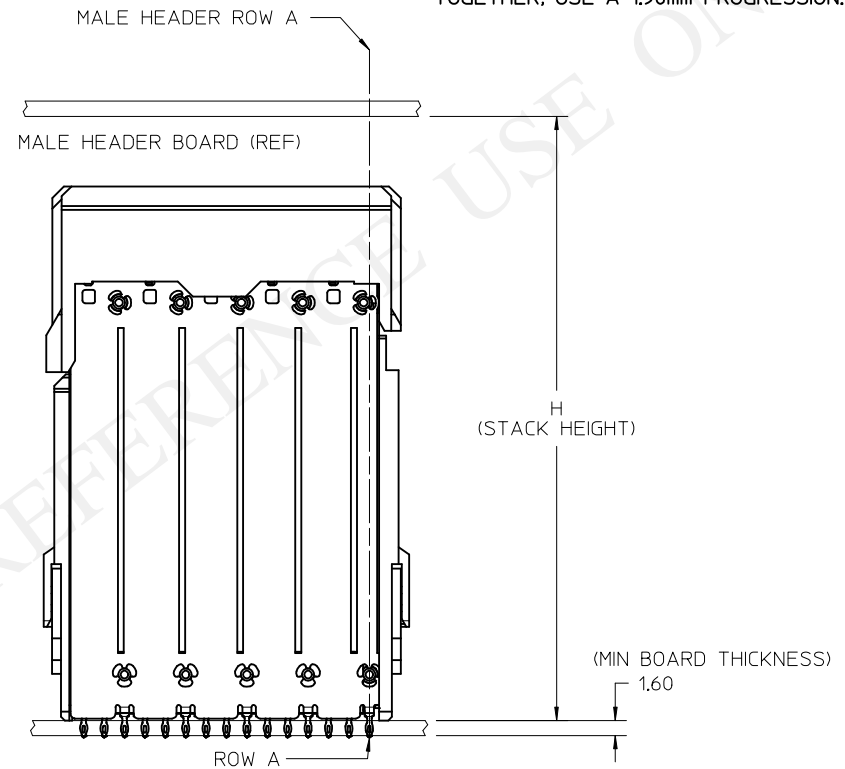
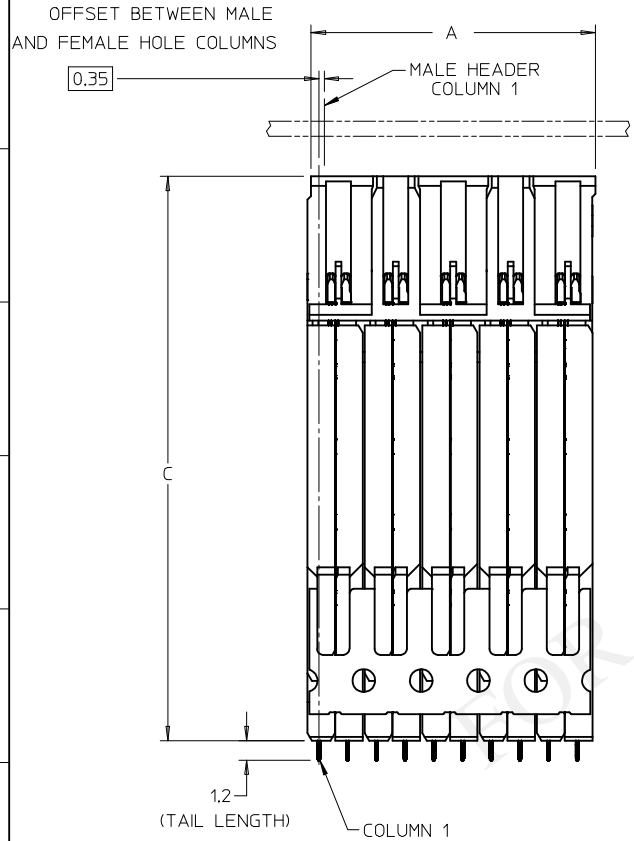


- NOTES:
1. MATERIALS: HOUSING - LIQUID CRYSTAL POLYMER (LCP), GLASS-FILLED, UL94V-0
TERMINALS - HIGH PERFORMANCE COPPER ALLOY
 2. FINISH: 30µIN SELECTIVE GOLD IN CONTACT AREA. SELECTIVE MATTE TIN OR SELECTIVE TIN/LEAD ON PCB TAILS. NICKEL OVERALL.
 3. EACH SIGNAL WAFER COLUMN CONTAINS A SHIELD.
 4. PRODUCT SHALL BE PACKAGED PER PK-70873-0040 (40mm), PK-70873-0042 (28mm) OR PK-70873-0043 (38mm).
 5. FOR FURTHER INFORMATION SEE PRODUCT SPECIFICATION PS-76060-999.
 6. THIS PART CONFORMS TO CLASS B REQUIREMENTS OF COSMETIC SPEC PS-45499-002.
 7. PART SHOWN HAS AN OVERALL STACK HEIGHT OF 40mm. VARYING STACK HEIGHTS MAY BE AVAILABLE UPON REQUEST.
 8. REFER TO MOLEX SALES DRAWING SD-76055-001 FOR THE MATING HEADERS.
 9. REFER TO MOLEX PCB ROUTING GUIDE AS-76060-990 FOR ANTIPAD AND ROUTING RECOMMENDATIONS.
 10. *THESE DIMENSIONS REPRESENT THE AREA NEEDED TO ACCOMMODATE CONNECTOR INSERTION & REPAIR ON THE PC BOARD. THIS IS REFERRED TO AS THE "CONNECTOR KEEP OUT ZONE" AND DOES NOT REPRESENT THE ACTUAL PERIMETER OF THE CONNECTOR. WHEN LAYING OUT A PC BOARD WITH CONNECTORS STACKED TOGETHER, USE A 1.90mm PROGRESSION.*



PROPOSED EC NO: UCP2017-2750 DRAWN: MCARRANZA 2012/04/11 CHKD: APPR: MCARRANZA 2017/06/20 REV: 1	QUALITY SYMBOLS ▽=0 ▽=0	GENERAL TOLERANCES (UNLESS SPECIFIED)		DIMENSION STYLE MM ONLY		SCALE 4:1	DESIGN UNITS METRIC	THIRD ANGLE PROJECTION																	
		<table border="1"> <tr><th></th><th>mm</th><th>INCH</th></tr> <tr><td>4 PLACES</td><td>± 0.10</td><td>± 0.004</td></tr> <tr><td>3 PLACES</td><td>± 0.15</td><td>± 0.006</td></tr> <tr><td>2 PLACES</td><td>± 0.25</td><td>± 0.010</td></tr> <tr><td>1 PLACE</td><td>± 0.50</td><td>± 0.020</td></tr> </table>			mm	INCH	4 PLACES	± 0.10	± 0.004	3 PLACES	± 0.15	± 0.006	2 PLACES	± 0.25	± 0.010	1 PLACE	± 0.50	± 0.020	DRAWN BY MCARRANZA		DATE 2012/04/11	TITLE IMPACT XTR 5-PAIR VERTICAL MEZZANINE UNGUIDED SALES DWG			
			mm	INCH																					
		4 PLACES	± 0.10	± 0.004																					
3 PLACES	± 0.15	± 0.006																							
2 PLACES	± 0.25	± 0.010																							
1 PLACE	± 0.50	± 0.020																							
ANGULAR ±1/2°		CHECKED BY		DATE																					
DRAFT WHERE APPLICABLE MUST REMAIN WITHIN DIMENSIONS		APPROVED BY MCARRANZA		DATE 2017/06/20	MOLEX INCORPORATED		DOCUMENT NO. SD-171590-001	SHEET NO. 1 OF 2																	
THIS DRAWING CONTAINS INFORMATION THAT IS PROPRIETARY TO MOLEX INCORPORATED AND SHOULD NOT BE USED WITHOUT WRITTEN PERMISSION																									

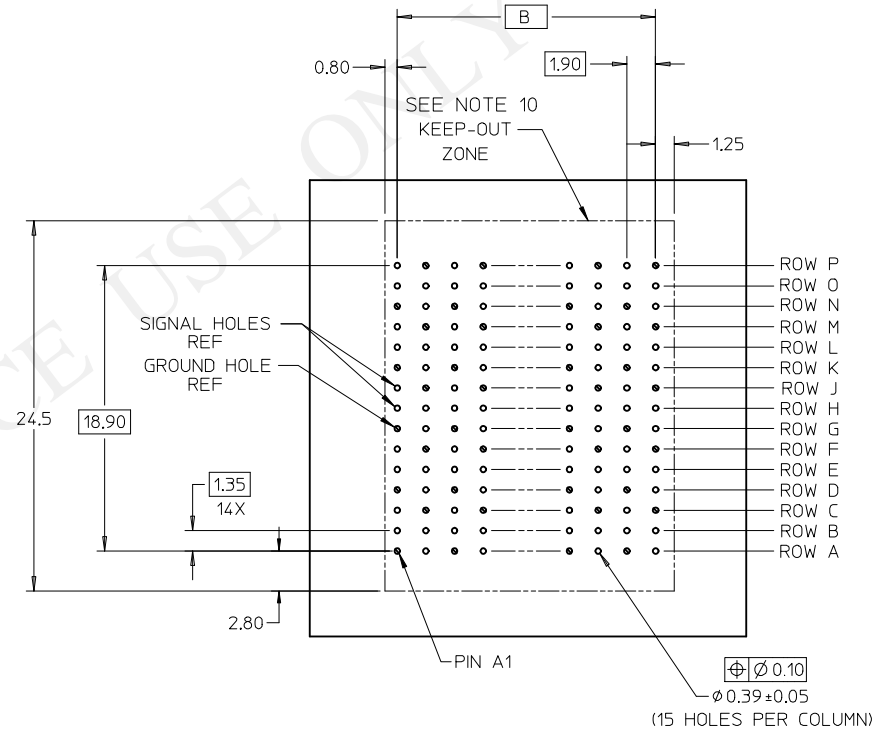
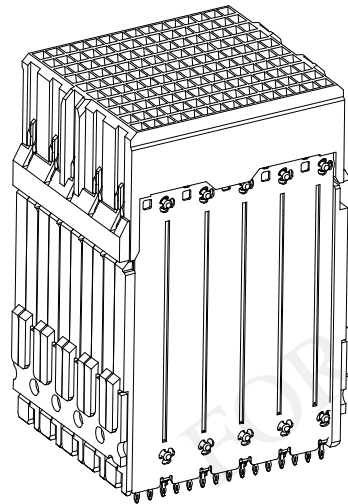
PART NUMBER	# OF COLUMNS	# OF DIFF PAIR	DIM "A"	DIM "B"	DIM "C"	STACK HEIGHT (H)
171590-1040	10	50	19.0	17.10	37.36	40.00
171590-1042	12	60	22.8	20.90	37.36	40.00
171590-1047	14	70	26.6	24.70	37.36	40.00
171590-1046	16	80	30.4	28.50	37.36	40.00

171590-104*

1 = OPEN LEAD-FREE

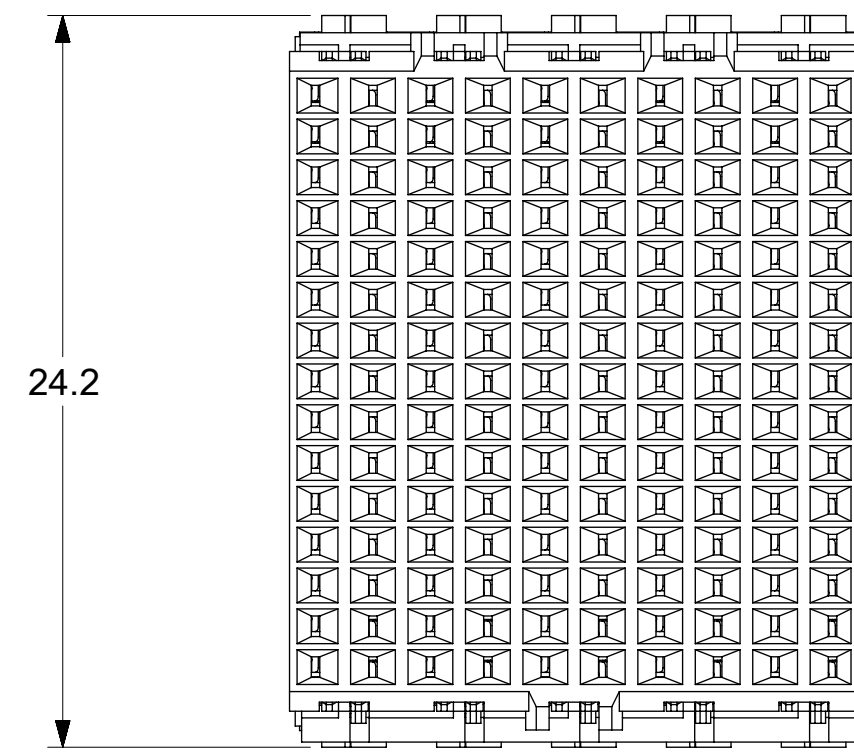
STACK HEIGHT
4 = 40mm

OF COLUMNS
0 = 10 COL MICRO COMPLIANT
2 = 12 COL MICRO COMPLIANT
6 = 16 COL MICRO COMPLIANT
7 = 14 COL MICRO COMPLIANT



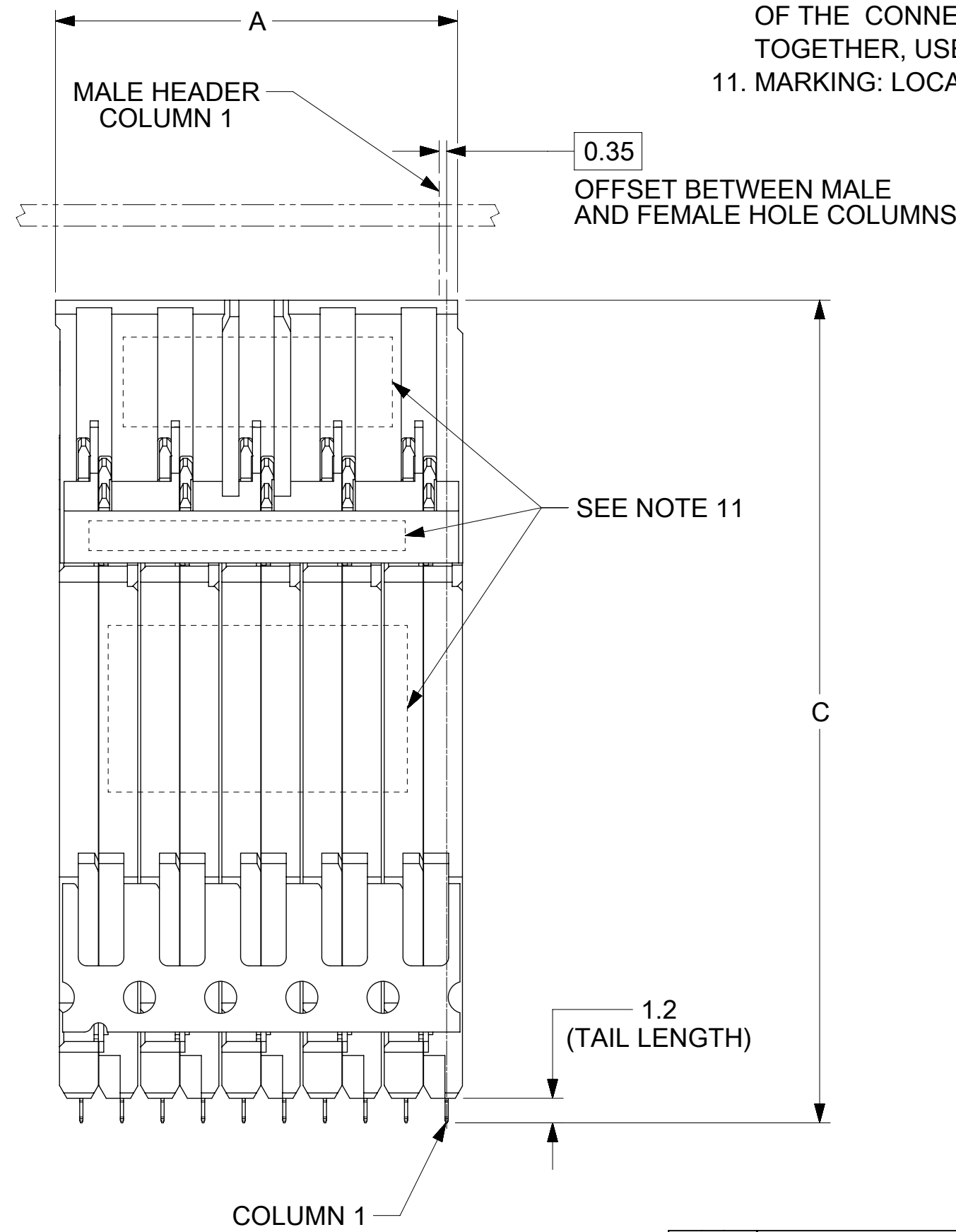
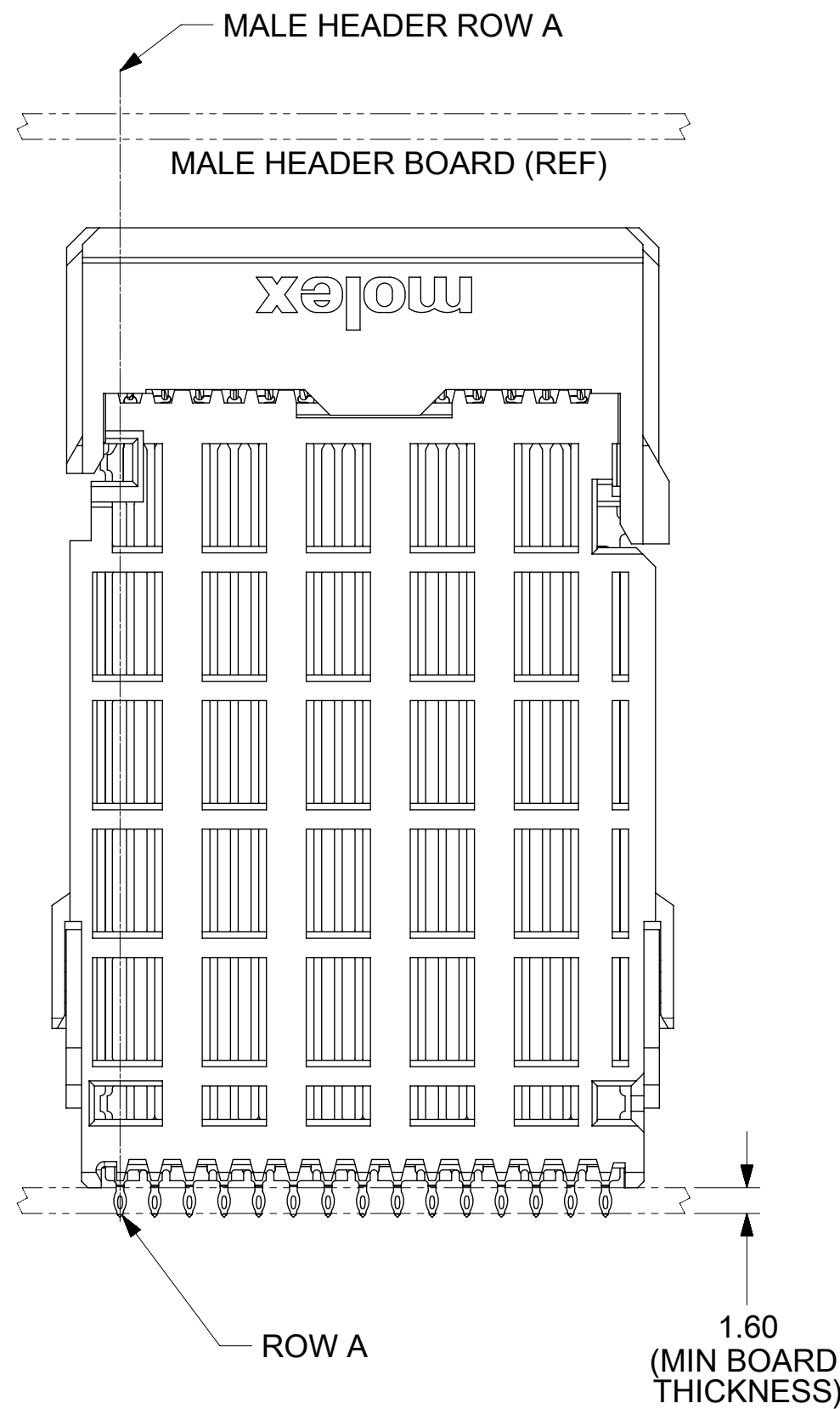
VERTICAL FEMALE HOLE PATTERN
(CONNECTOR SIDE)

SEE SHEET 1 EC NO: UCP2017-2750 DRAWN: MCARRANZA 2012/04/11 CHKD: APPR: MCARRANZA 2017/06/20 REV 1	QUALITY SYMBOLS	GENERAL TOLERANCES (UNLESS SPECIFIED)	DIMENSION STYLE MM ONLY	SCALE 3:1	DESIGN UNITS METRIC	THIRD ANGLE PROJECTION																										
	$\nabla=0$ $\nabla=0$	<table border="1"> <thead> <tr> <th></th> <th>mm</th> <th>INCH</th> </tr> </thead> <tbody> <tr> <td>4 PLACES</td> <td>± 0.10</td> <td>± 0.004</td> </tr> <tr> <td>3 PLACES</td> <td>± 0.15</td> <td>± 0.006</td> </tr> <tr> <td>2 PLACES</td> <td>± 0.20</td> <td>± 0.008</td> </tr> <tr> <td>1 PLACE</td> <td>± 0.25</td> <td>± 0.010</td> </tr> </tbody> </table>		mm	INCH	4 PLACES	± 0.10	± 0.004	3 PLACES	± 0.15	± 0.006	2 PLACES	± 0.20	± 0.008	1 PLACE	± 0.25	± 0.010	<table border="1"> <thead> <tr> <th>mm</th> <th>INCH</th> </tr> </thead> <tbody> <tr> <td>± 0.10</td> <td>± 0.004</td> </tr> <tr> <td>± 0.15</td> <td>± 0.006</td> </tr> <tr> <td>± 0.20</td> <td>± 0.008</td> </tr> <tr> <td>± 0.25</td> <td>± 0.010</td> </tr> </tbody> </table>	mm	INCH	± 0.10	± 0.004	± 0.15	± 0.006	± 0.20	± 0.008	± 0.25	± 0.010	DRAWN BY: MCARRANZA DATE: 2012/04/11 CHECKED BY: _____ DATE: _____	TITLE: IMPACT XTR 5-PAIR VERTICAL MEZZANINE UNGUIDED SALES DWG		
		mm	INCH																													
	4 PLACES	± 0.10	± 0.004																													
3 PLACES	± 0.15	± 0.006																														
2 PLACES	± 0.20	± 0.008																														
1 PLACE	± 0.25	± 0.010																														
mm	INCH																															
± 0.10	± 0.004																															
± 0.15	± 0.006																															
± 0.20	± 0.008																															
± 0.25	± 0.010																															
DRAFT WHERE APPLICABLE MUST REMAIN WITHIN DIMENSIONS	APPROVED BY: MCARRANZA DATE: 2017/06/20	MATERIAL NO.	MOLEX INCORPORATED	DOCUMENT NO.	SHEET NO.																											
SEE CHART	SD-171590-001	2 OF 2	THIS DRAWING CONTAINS INFORMATION THAT IS PROPRIETARY TO MOLEX INCORPORATED AND SHOULD NOT BE USED WITHOUT WRITTEN PERMISSION																													



NOTES:

1. MATERIALS: HOUSING - LIQUID CRYSTAL POLYMER (LCP), GLASS-FILLED, UL94V-0
TERMINALS - HIGH PERFORMANCE COPPER ALLOY
2. FINISH: 30μIN SELECTIVE GOLD IN CONTACT AREA. SELECTIVE MATTE TIN ON PCB TAILS. NICKEL OVERALL.
3. EACH SIGNAL WAFER CONTAINS 2 COLUMNS OF TERMINALS.
4. PRODUCT SHALL BE PACKAGED PER PK-70873-0040 (40mm), PK-70873-0042 (28mm) OR PK-70873-0043 (38mm).
5. FOR FURTHER INFORMATION SEE PRODUCT SPECIFICATION PS-76060-999.
6. THIS PART CONFORMS TO CLASS B REQUIREMENTS OF COSMETIC SPEC PS-45499-002.
7. PART SHOWN HAS AN OVERALL STACK HEIGHT OF 40mm. VARYING STACK HEIGHTS MAY BE AVAILABLE UPON REQUEST.
8. REFER TO MOLEX SALES DRAWING SD-76055-001 FOR THE MATING HEADERS.
9. REFER TO MOLEX PCB ROUTING GUIDE AS-76060-990 FOR ANTIPAD AND ROUTING RECOMMENDATIONS.
10. "THESE DIMENSIONS REPRESENT THE AREA NEEDED TO ACCOMMODATE CONNECTOR INSERTION & REPAIR ON THE PC BOARD. THIS IS REFERRED TO AS THE "CONNECTOR KEEP OUT ZONE" AND DOES NOT REPRESENT THE ACTUAL PERIMETER OF THE CONNECTOR. WHEN LAYING OUT A PC BOARD WITH CONNECTORS STACKED TOGETHER, USE A 1.90mm PROGRESSION."
11. MARKING: LOCATED APPROXIMATELY AS SHOWN. PART NUMBER AND DATE CODE.



SYMBOLS		THIS DRAWING CONTAINS INFORMATION THAT IS PROPRIETARY TO MOLEX ELECTRONIC TECHNOLOGIES, LLC AND SHOULD NOT BE USED WITHOUT WRITTEN PERMISSION										
DIMENSION UNITS	SCALE	CURRENT REV DESC: MIGRATED TO NX						DOCUMENT NUMBER		DOC TYPE	DOC PART	REVISION
∇ = 0	MM	3:1		EC NO: 600815 DRWN: CCV 2018/03/16 CHK'D: TELO 2018/07/16 APPR: TELO 2018/07/16						molex IMPACT 5-PAIR VERTICAL MEZZANINE UNGUIDED SALES DWG		
∇ = 0	GENERAL TOLERANCES (UNLESS SPECIFIED)		INITIAL REVISION:									
∇ = 0	ANGULAR TOL ± 0.5°		DRWN: JONIAK 2008/11/14						PSD 001 F4			
∇ = 0	4 PLACES ±		APPR: JLAURX 2010/02/01						SEE TABLE			
∇ = 0	3 PLACES ±		DRAFT WHERE APPLICABLE MUST REMAIN WITHIN DIMENSIONS						GENERAL MARKET			
∇ = 0	2 PLACES ± 0.13		THIRD ANGLE PROJECTION		DRAWING		SERIES		MATERIAL NUMBER		CUSTOMER	SHEET NUMBER
∇ = 0	1 PLACE ± 0.25		C-SIZE		76530		76530		SEE TABLE		GENERAL MARKET	1 OF 2
∇ = 0	0 PLACES ±		C-SIZE		76530		76530		SEE TABLE		GENERAL MARKET	1 OF 2

PART NUMBER	# OF COLUMNS	# OF DIFF PAIR	DIM "A"	DIM "B"	DIM "C"	STACK HEIGHT (H)
76530-*020	10	50	19.0	17.10	25.36	28.00
76530-*022	12	60	22.8	20.90	25.36	28.00
76530-*027	14	70	26.6	24.70	25.36	28.00
76530-*026	16	80	30.4	28.50	25.36	28.00
76530-*030	10	50	19.0	17.10	35.36	38.00
76530-*032	12	60	22.8	20.90	35.36	38.00
76530-*037	14	70	26.6	24.70	35.36	38.00
76530-*036	16	80	30.4	28.50	35.36	38.00
76530-*040	10	50	19.0	17.10	37.36	40.00
76530-*042	12	60	22.8	20.90	37.36	40.00
76530-*047	14	70	26.6	24.70	37.36	40.00
76530-*046	16	80	30.4	28.50	37.36	40.00

76530-*0**

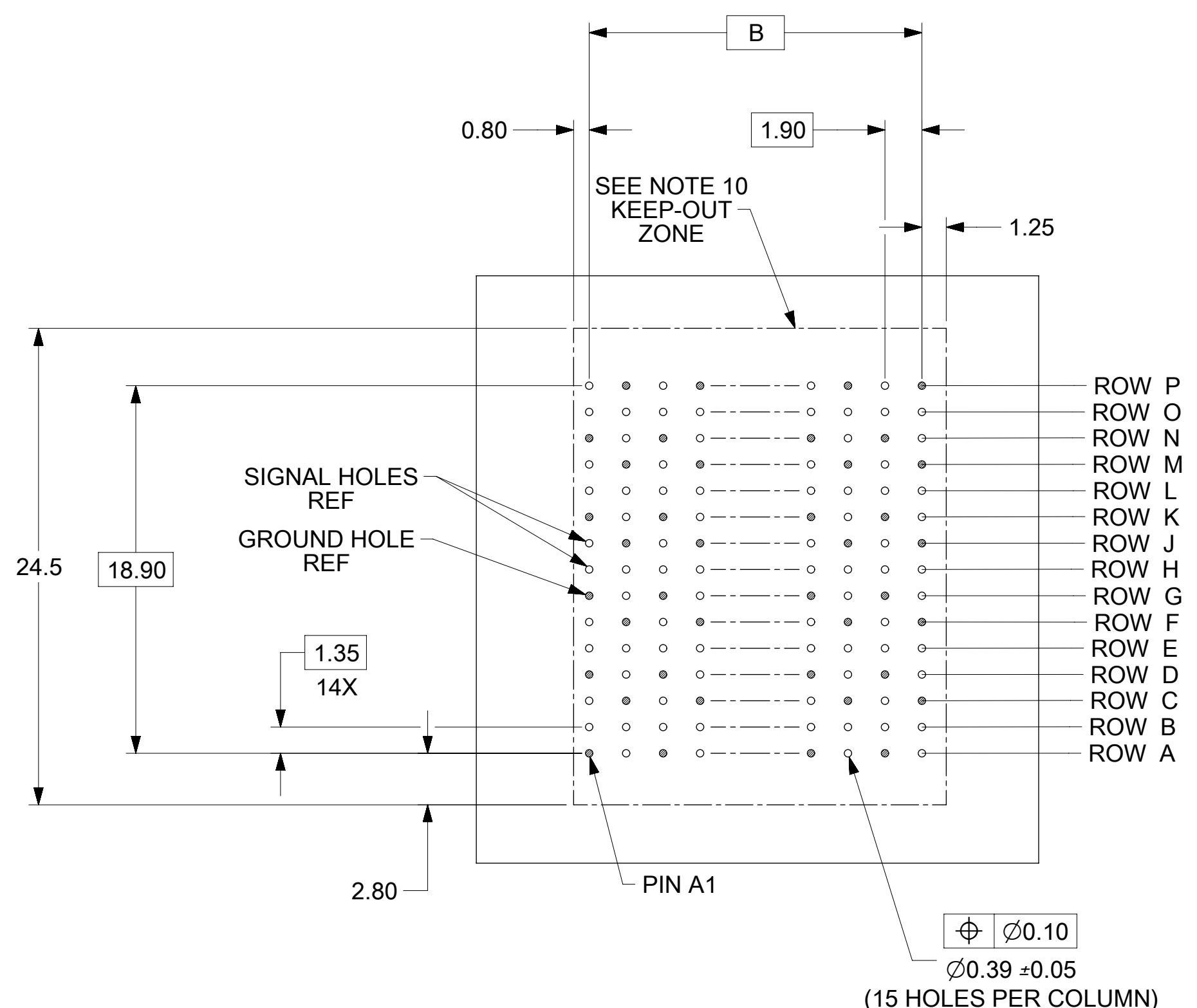
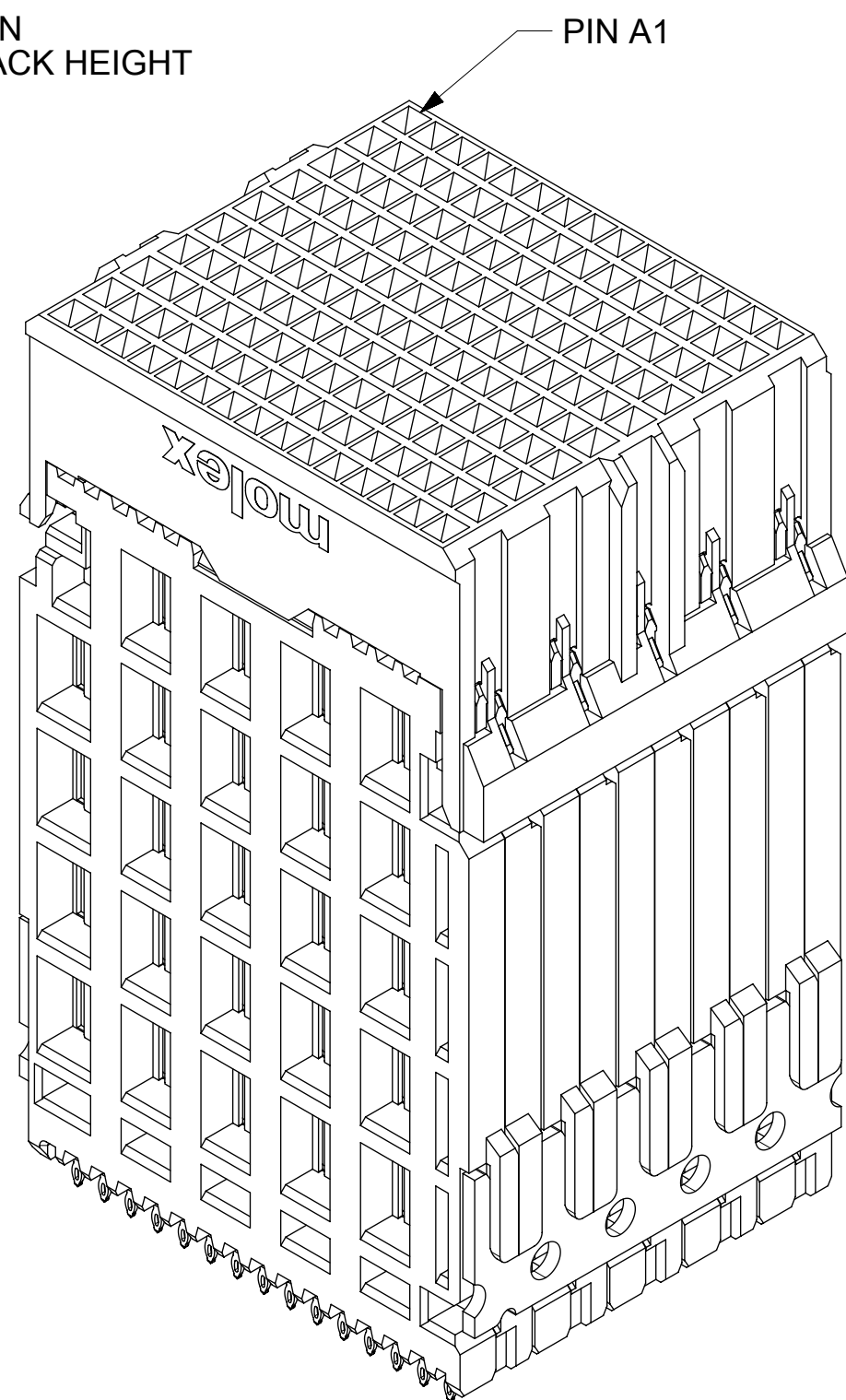
1 = OPEN LEAD-FREE

OF COLUMNS
 0 = 10 COL MICRO COMPLIANT
 2 = 12 COL MICRO COMPLIANT
 6 = 16 COL MICRO COMPLIANT
 7 = 14 COL MICRO COMPLIANT

STACK HEIGHT
 2 = 28mm
 3 = 38mm
 4 = 40mm

10 COLUMN
 40 MM STACK HEIGHT

PIN A1



VERTICAL FEMALE HOLE PATTERN
 (CONNECTOR SIDE)

⌀ 0.10
 ⌀ 0.39 ± 0.05
 (15 HOLES PER COLUMN)

SYMBOLS		THIS DRAWING CONTAINS INFORMATION THAT IS PROPRIETARY TO MOLEX ELECTRONIC TECHNOLOGIES, LLC AND SHOULD NOT BE USED WITHOUT WRITTEN PERMISSION			
▽ = 0	DIMENSION UNITS	SCALE	CURRENT REV DESC: MIGRATED TO NX		
▽ = 0	MM	3:1	EC NO: 600815	PRODUCT CUSTOMER DRAWING	
▽ = 0	GENERAL TOLERANCES (UNLESS SPECIFIED)		DRWN: CCV 2018/03/16	DOCUMENT NUMBER	
▽ = 0	ANGULAR TOL ± 0.5°		CHK'D: TELO 2018/07/16	DOC TYPE DOC PART REVISION	
▽ = 0	4 PLACES ±		APPR: TELO 2018/07/16	SD-76530-001 PSD 001 F4	
▽ = 0	3 PLACES ±		INITIAL REVISION:	MATERIAL NUMBER	
▽ = 0	2 PLACES ± 0.13		DRWN: JONIAK 2008/11/14	CUSTOMER	
▽ = 0	1 PLACE ± 0.25		APPR: JLAURX 2010/02/01	GENERAL MARKET	
▽ = 0	0 PLACES ±		DRAFT WHERE APPLICABLE MUST REMAIN WITHIN DIMENSIONS	SHEET NUMBER	
▽ = 0	THIRD ANGLE PROJECTION		DRAWING	2 OF 2	
▽ = 0	C-SIZE		SERIES		
▽ = 0	76530				