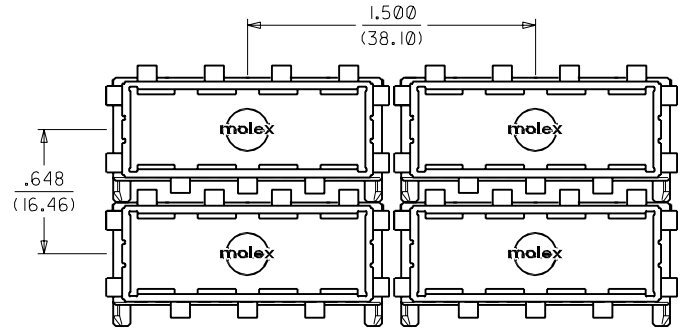
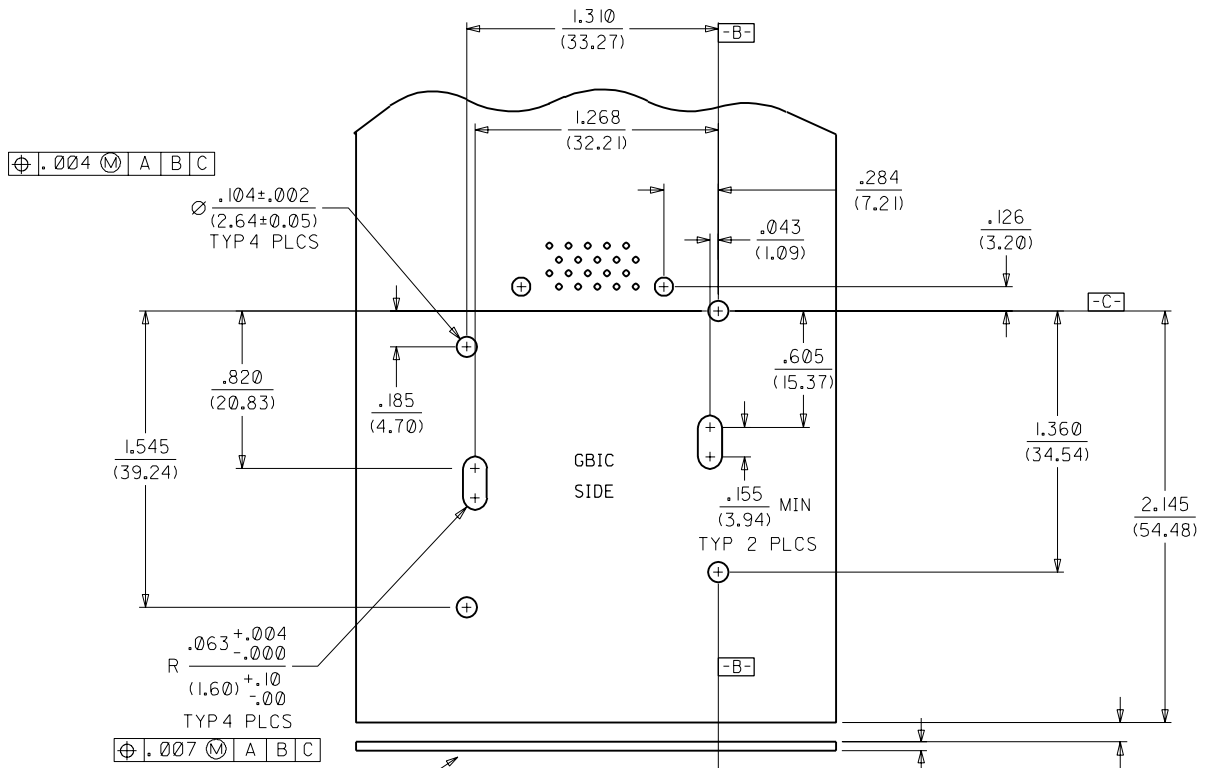
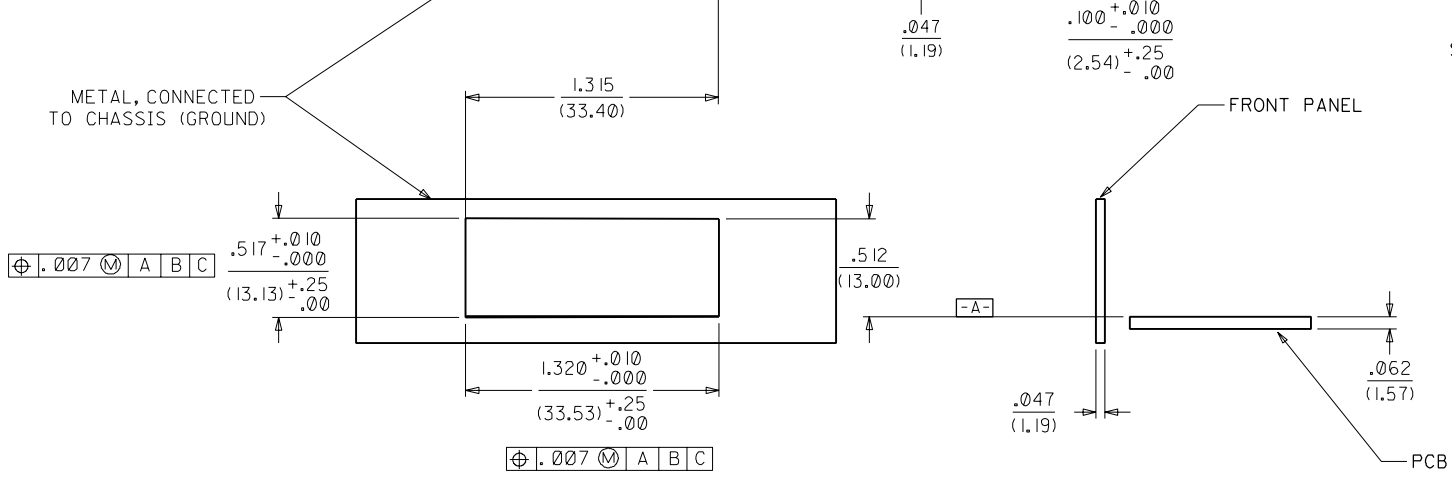


NOTES:
 1. MATERIAL: .004 PHOSPHOR BRONZE ALLOY 510, GRADE A, SPRING TEMPER PREPLATED WITH BRIGHT TIN OVER NICKEL

MFG. SH. REV.	A	INITIAL RELEASE PER UDI 2000-1083 00/5/10 DLD	DIMENSIONS SHOWN (METRIC) INCH		REVISE ONLY ON CAD SYSTEM																		
			UNLESS OTHERWISE SPECIFIED TOLERANCES: ANGULAR = 1/2°				TITLE																
			<table border="1"> <tr> <th colspan="2">INCH</th> <th colspan="2">METRIC</th> </tr> <tr> <td>3 PLACE</td> <td>± .010</td> <td colspan="2">---</td> </tr> <tr> <td>2 PLACE</td> <td>± ---</td> <td colspan="2">± .25</td> </tr> <tr> <td>1 PLACE</td> <td>---</td> <td colspan="2">± ---</td> </tr> </table>		INCH		METRIC		3 PLACE	± .010	---		2 PLACE	± ---	± .25		1 PLACE	---	± ---		GASKET GBIC GUIDE FRAME		
INCH		METRIC																					
3 PLACE	± .010	---																					
2 PLACE	± ---	± .25																					
1 PLACE	---	± ---																					
DRAFT WHERE APPLICABLE MUST REMAIN WITHIN DIMENSIONS			PART NO.		SHEET NO. DATE																		
			73868-0001		1 OF 1 00/05/10																		
LTR. DRWG. BY DLD CLK'D. BY DLD			FILE NAME		DRWG. NO.																		
APP'D. BY MJM SCALE 5: 1			THIS DRAWING CONTAINS INFORMATION THAT IS PROPRIETARY TO MOLEX INC. AND SHOULD NOT BE USED WITHOUT WRITTEN PERMISSION.		DIV. SIZE																		
					D B																		



MINIMUM STACK PITCH
SIDE TO SIDE AND TOP TO BOTTOM



PCB FOOT PRINT

SEE SHEET 1		DIMENSIONS SHOWN (METRIC) INCH		REVISE ONLY ON CAD SYSTEM	
UNLESS OTHERWISE SPECIFIED TOLERANCES ANGULAR ± 1/2°		INCH METRIC		TITLE	
3 PLACE ± .005		---		GBIC GUIDE ASSEMBLY	
2 PLACE ± --- ± .13		---		MOLLEX INCORPORATED U.S.A. SHEET NO. 2 DATE 98/08/28	
1 PLACE --- ± ---		---		PART NO. 1315E.IJLL. 69532	
DRAFT WHERE APPLICABLE MUST REMAIN WITHIN DIMENSIONS		DRAWG. NO.		SDA-73847-001	
DRAWN BY RKN		CHK'D BY DLD		FILE NAME S73847X2	
ENGR'D BY MJM		SCALE 2 : 1		DIV. D	
MFG. SH. REV.		LIT.		SIZE C	
				THIS DRAWING CONTAINS INFORMATION THAT IS PROPRIETARY TO MOLEX INC. AND SHOULD NOT BE USED WITHOUT WRITTEN PERMISSION	