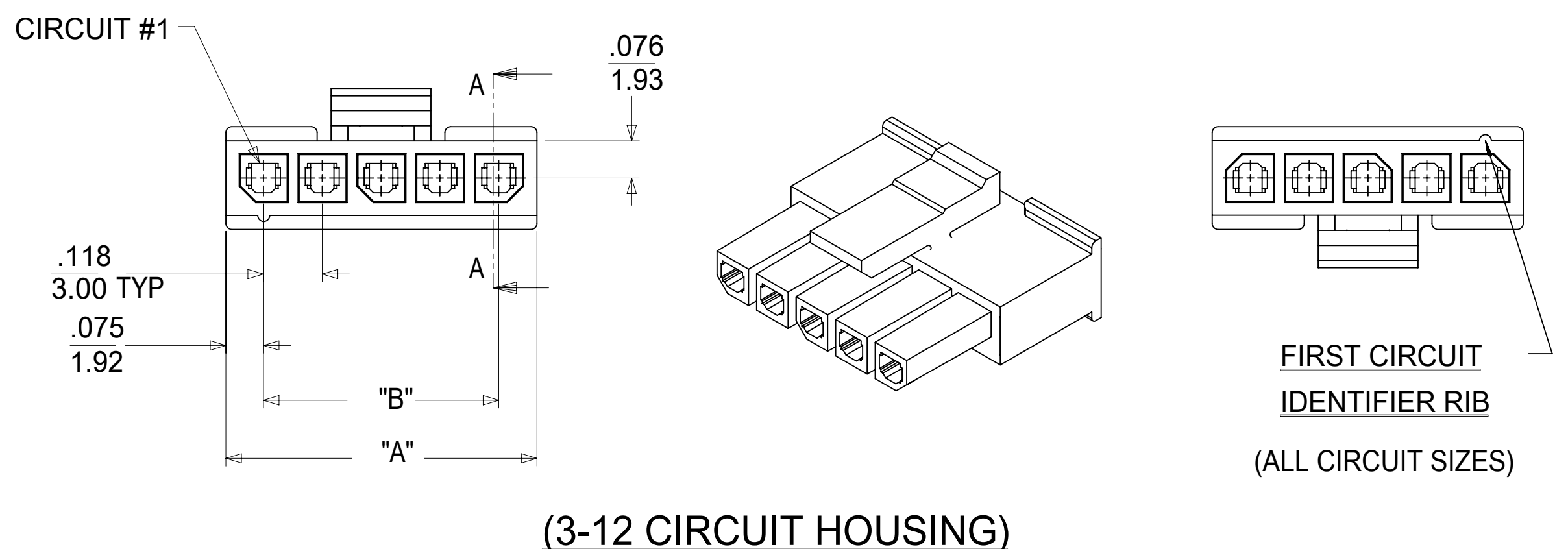
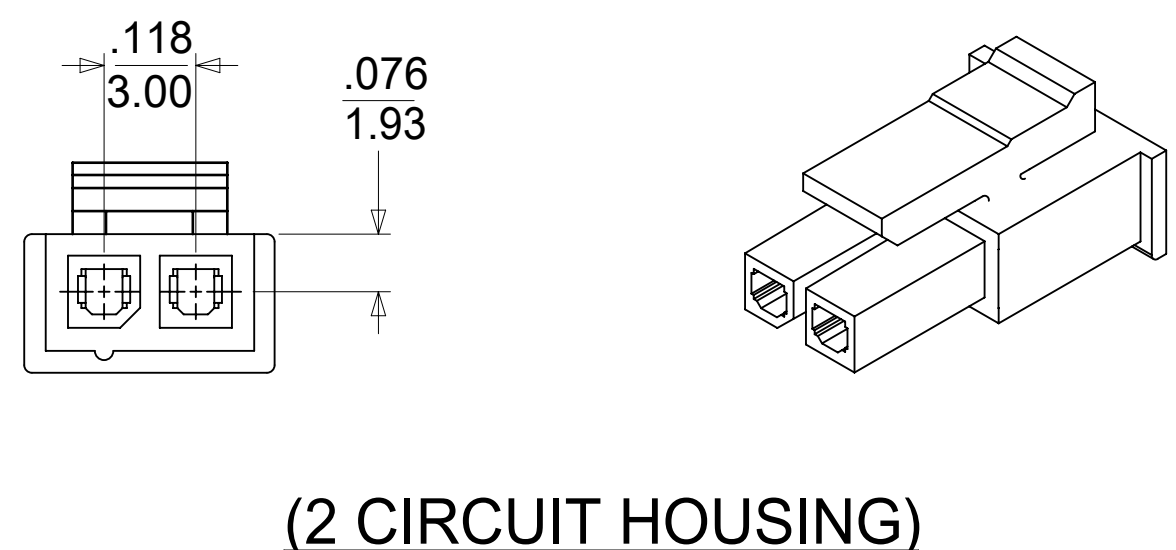


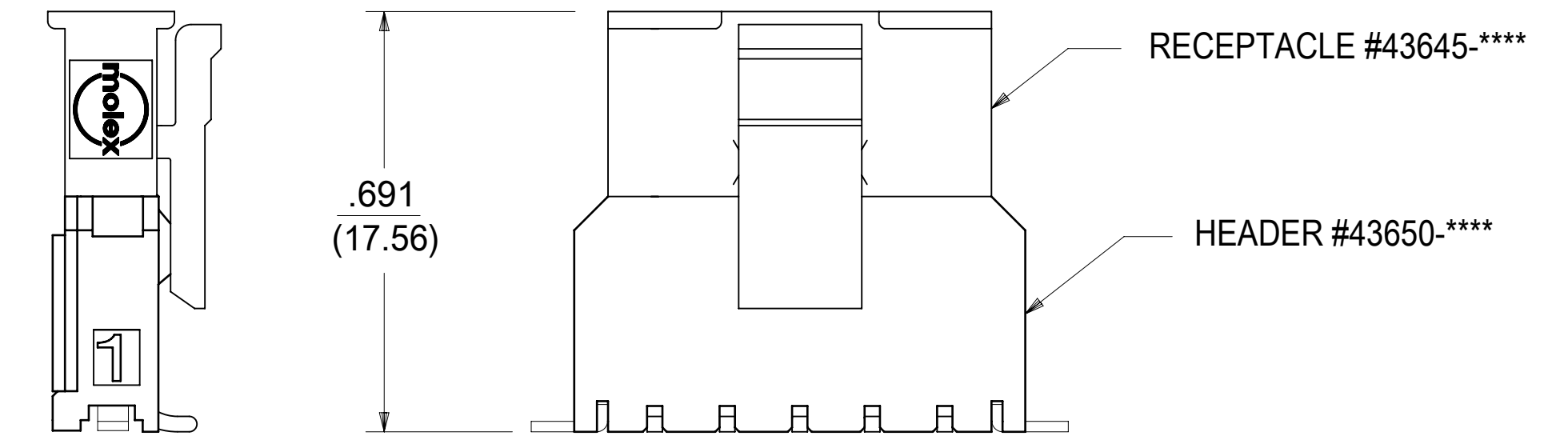
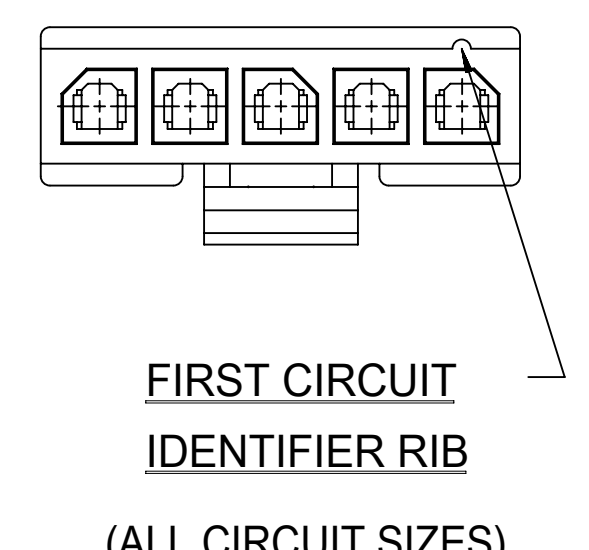
| TOOLED | MATERIAL NUMBER | NUMBER OF CIRCUIT | DIM. "A" | DIM. "B" |
|--------|-----------------|-------------------|---------------|---------------|
| YES | 43645-0210 | 02 | SEE DETAIL | .118/(3.00) |
| YES | 43645-0310 | 03 | .388/(9.85) | .236/(6.00) |
| YES | 43645-0410 | 04 | .506/(12.85) | .354/(9.00) |
| YES | 43645-0510 | 05 | .624/(15.85) | .472/(12.00) |
| YES | 43645-0610 | 06 | .742/(18.85) | .591/(15.00) |
| NO | 43645-0710 | 07 | .860/(21.85) | .709/(18.00) |
| NO | 43645-0810 | 08 | .978/(24.85) | .827/(21.00) |
| NO | 43645-0910 | 09 | 1.096/(27.85) | .945/(24.00) |
| NO | 43645-1010 | 10 | 1.215/(30.85) | 1.063/(27.00) |
| NO | 43645-1110 | 11 | 1.333/(33.85) | 1.181/(30.00) |
| NO | 43645-1210 | 12 | 1.451/(36.85) | 1.299/(33.00) |



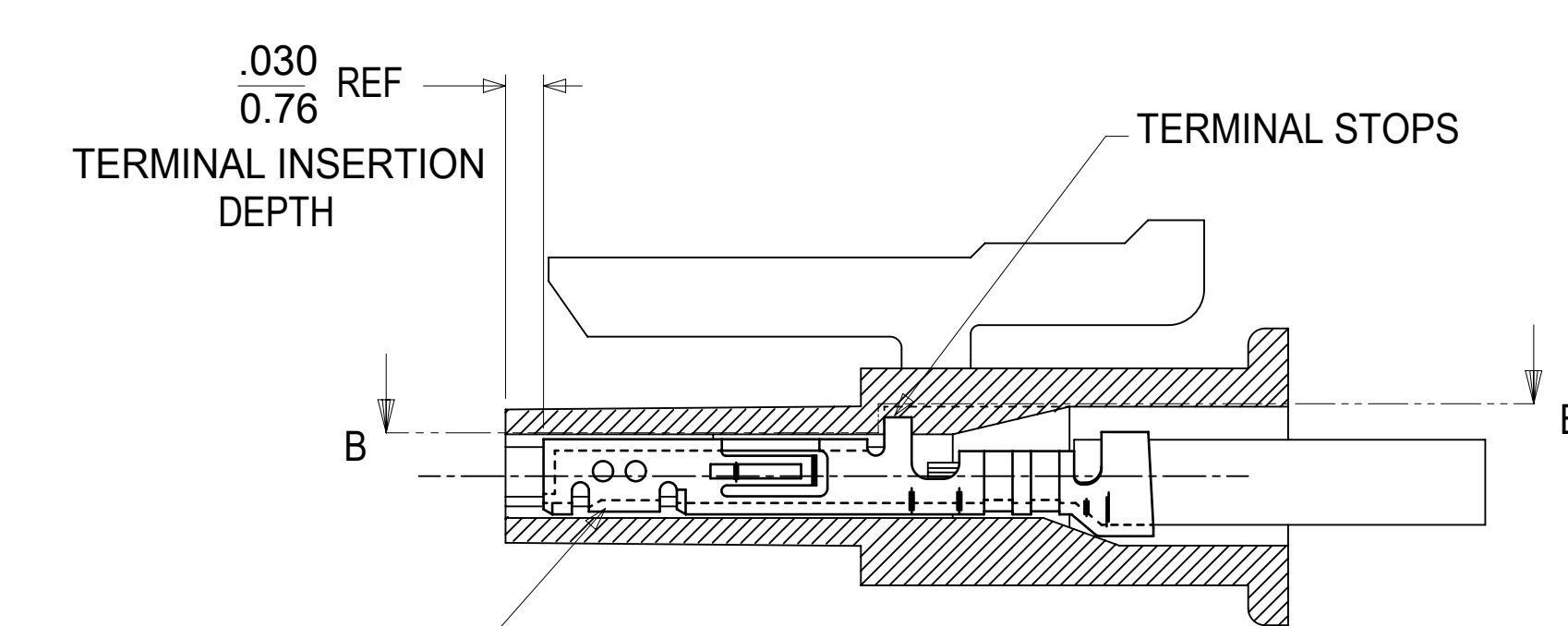
(3-12 CIRCUIT HOUSING)



(2 CIRCUIT HOUSING)

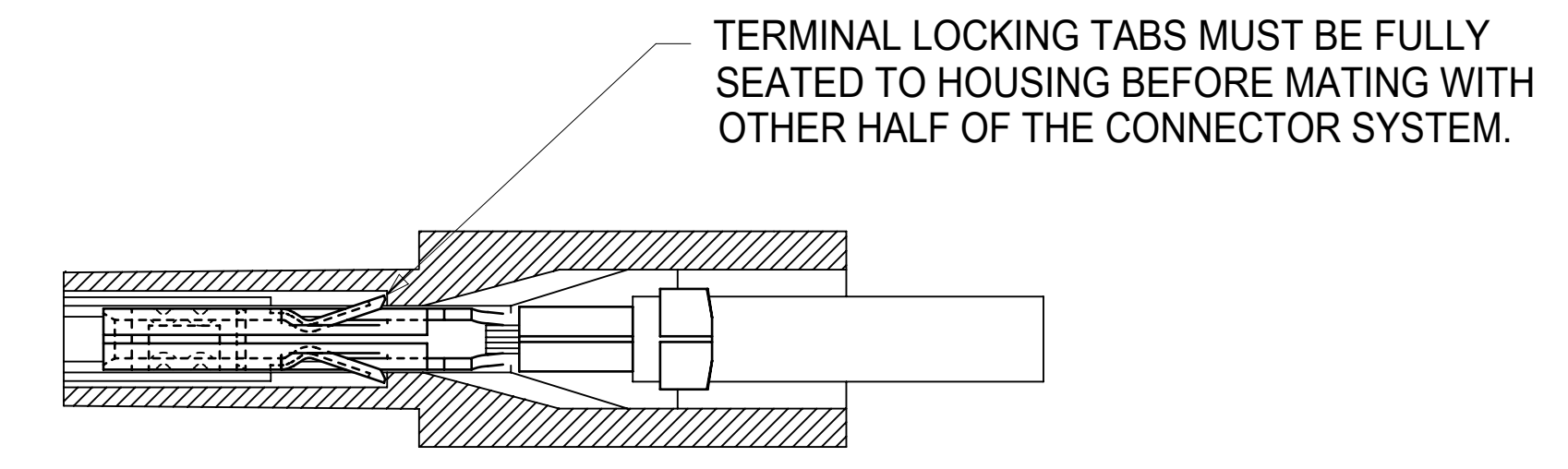


MATED MICRO-FIT CONNECTOR



SECTION "A"-A

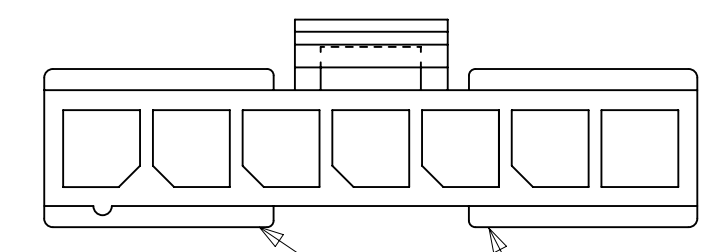
SHOWN WITH TERMINAL INSTALLED



SECTION "B"-B

NOTES:

1. MATERIAL : UNFILLED NYLON, UL94V-2, IEC 60335-1 GLOW WIRE CAPABLE, COLOR - BLACK. * MATERIAL NUMBERS ON THIS DRAWING ARE GLOW WIRE CAPABLE SINCE INCEPTION.
2. FINISH : N/A
3. PRODUCT SPECIFICATION : PS-43650
4. PACKAGING SPECIFICATION: PK-43645-001.
5. THIS RECEPTACLE TO BE USED WITH MOLEX FEMALE TERMINAL SERIES 43030 OR 46235. SEE SECTION "A"-A FOR TERMINAL ORIENTATION IN HOUSING.
6. FOR OVERMOLDING PARAMETERS SEE APPLICATION SPECIFICATON 430250000-AS.
7. THIS RECEPTACLE MATES WITH MOLEX PCB HEADER 43650 SERIES AND MOLEX PLUG 43640 SERIES (WIRE TO WIRE APPLICATIONS).
8. MOLEX RECOMMENDS THE USE OF MICRO-FIT TEST PLUG, SERIES 44242-**** WHENEVER CONTINUITY TESTING IS PERFORMED. TEST PLUGS MUST NOT BE USED TO MAKE OR BREAK UNDER LOAD. MOLEX DOES NOT RECOMMEND USING STANDARD MATING COMPONENTS FOR HARNESS TESTING PURPOSES.
9. THIS RIB IS DISCONTINUOUS ON CIRCUIT SIZES 7 THROUGH 12
10. THIS PART CONFORMS TO CLASS 'B' REQUIREMENTS OF COSMETIC SPECIFICATION PS-45499-002, WITH THE EXCEPTION OF FLASH, DISCOLORATION, AND SINK MEET CLASS "C" REQUIREMENTS.
11. HOUSINGS MAY HAVE DISCOLORATION AREAS THAT DO NOT AFFECT FUNCTIONALITY. DISCOLORATION AREAS MAY EXTEND ACROSS THE ENTIRE LENGTH OF THE FACES OF THE PART.
12. TEXT ON PART IS FOR REFERENCE ONLY. TEXT AND TEXT LOCATION MAY VARY DEPENDING ON PART NUMBER AND/OR TOOL.



SEE NOTE 9

| | | | |
|-------------------|--|---|---------------------------------|
| SYMBOLS | | THIS DRAWING CONTAINS INFORMATION THAT IS PROPRIETARY TO MOLEX ELECTRONIC TECHNOLOGIES, LLC AND SHOULD NOT BE USED WITHOUT WRITTEN PERMISSION | |
| ▽ = 0 | DIMENSION UNITS | SCALE | CURRENT REV DESC: UPDATE NOTE 6 |
| ▽ = 0 | IN/MM | NTS | |
| ▽ = 0 | GENERAL TOLERANCES (UNLESS SPECIFIED) | | |
| ▽ = 0 | | MM | INCH |
| ▽ = 0 | 4 PLACES ± | ± | |
| ▽ = 0 | 3 PLACES ± | ± 0.01 | |
| ▽ = 0 | 2 PLACES ± | ± 0.25 ± 0.014 | |
| ▽ = 0 | 1 PLACE ± | ± 0.35 ± | |
| ▽ = 0 | 0 PLACES ± | ± | |
| ▽ = 0 | ANGULAR TOL | ± 0.5 ° | |
| ▽ = 0 | DRAFT WHERE APPLICABLE MUST REMAIN WITHIN DIMENSIONS | | |
| ▽ = 0 | THIRD ANGLE PROJECTION | DRAWING | SERIES |
| | | D-SIZE | 43645 |
| EC NO: 168740 | | DRWN: AZAHIROVIC | 2018/01/03 |
| CHK'D: SSOUSEK | | APPR: FSMITH | 2018/06/01 |
| INITIAL REVISION: | | DRWN: JDFOX | 2015/02/09 |
| | | APPR: FSMITH | 2016/08/12 |
| DOCUMENT NUMBER | | DOC TYPE | DOC PART |
| SD-43645-002 | | PSD | 001 |
| CUSTOMER | | SHEET NUMBER | |
| GENERAL MARKET | | 1 OF 1 | |