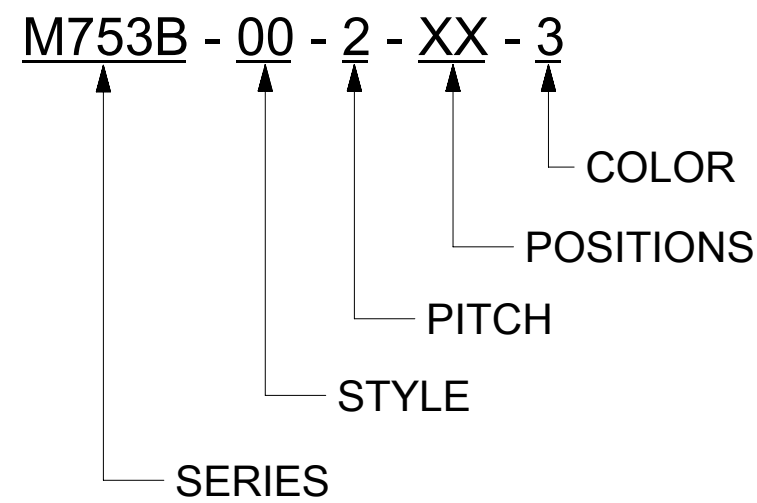


REF. LAST 2 DIGITS OF PART NUMBER EQUALS CIRCUIT COUNT

ENGINEERING NUMBER LEGEND



TOLERANCES			
MM	TOL	INCH	TOL
0-6	±0.25	0-.24	±.010
>6-30	±0.40	.24-1.18	±.016
>30-120	±0.50	1.18-4.76	±.020
>120	±0.80	>4.76	±.031

SPECIFICATIONS:

- MATERIAL:
 - A. BLOCK: STEEL ZINC PLATED
 - B. SCREW: M2.5, STEEL ZINC PLATED
 - C. BODY: PA66 UL94 V-0
 - D. CAM: STAINLESS STEEL
 - E. COVER: PA66 UL94 V-0
 - F. TERMINAL: BRASS TIN PLATED
 - G. MOUNTING SCREW: M2.5, STEEL ZINC PLATED
- WIRE SIZE: 30 TO 12 AWG
- RATING: 15A AT 51-150V, 15A AT 151-300V
- MAX TORQUE: 3.5 IN. LBS. (.4 Nm)
- WIRE STRIP: .37 (9.5mm)
- DIELECTRIC VOLTAGE WITHSTAND: AC 2500V FOR 1 MINUTE
- INSULATION RESISTANCE: DC 500V, 500MΩ
- RATED IMPULSE VOLTAGE: 4000V, PLUS AND MINUS 5 TIMES EACH
- OPERATING TEMPERATURE: -40°C TO +105°C
- DIMS GREATER THAN 1.18 (30mm) HAVE A TOLERANCE OF ±.02 (0.5mm)

PART NUMBER DATA									
CIRCUITS	PART NUMBER	ENGINEERING NUMBER	COLOR	DIM. "A"		DIM. "B"		DIM. "C"	
				IN	mm	IN	mm	IN	mm
2	397110002	M753B-00-2-02-3	GREEN	.79	20.0	.200	5.08	.600	15.24
3	397110003	M753B-00-2-03-3	GREEN	.99	25.0	.400	10.15	.800	20.32
4	397110004	M753B-00-2-04-3	GREEN	1.19	30.1	.600	15.23	1.000	25.40
5	397110005	M753B-00-2-05-3	GREEN	1.39	35.2	.800	20.31	1.200	30.48
6	397110006	M753B-00-2-06-3	GREEN	1.59	40.3	1.000	25.39	1.400	35.56
7	397110007	M753B-00-2-07-3	GREEN	1.79	45.4	1.199	30.46	1.600	40.64
8	397110008	M753B-00-2-08-3	GREEN	1.99	50.4	1.399	35.54	1.800	45.72
9	397110009	M753B-00-2-09-3	GREEN	2.19	55.5	1.599	40.62	2.000	50.80
10	397110010	M753B-00-2-10-3	GREEN	2.39	60.6	1.799	45.70	2.200	55.88
11	397110011	M753B-00-2-11-3	GREEN	2.59	65.7	1.999	50.77	2.400	60.96
12	397110012	M753B-00-2-12-3	GREEN	2.79	70.8	2.199	55.85	2.600	66.04
13		M753B-00-2-13-3	GREEN	2.99	75.8	2.399	60.93	2.800	71.12
14		M753B-00-2-14-3	GREEN	3.19	80.9	2.599	66.01	3.000	76.20
15		M753B-00-2-15-3	GREEN	3.39	86.0	2.799	71.08	3.200	81.28
16	397110016	M753B-00-2-16-3	GREEN	3.59	91.1	2.999	76.16	3.400	86.36
17		M753B-00-2-17-3	GREEN	3.79	96.2	3.198	81.24	3.600	91.44
(B3) 18	397110018	M753B-00-2-18-3	GREEN	3.99	101.2	3.398	86.32	3.800	96.52
(B3) 19		M753B-00-2-19-3	GREEN	4.19	106.3	3.598	91.39	4.000	101.60
(B3) 20	397110020	M753B-00-2-20-3	GREEN	4.39	111.4	3.798	96.47	4.200	106.68
21		M753B-00-2-21-3	GREEN	4.59	116.5	3.998	101.55	4.400	111.76
22		M753B-00-2-22-3	GREEN	4.79	121.6	4.198	106.63	4.600	116.84
23		M753B-00-2-23-3	GREEN	4.99	126.6	4.398	111.70	4.800	121.92
24		M753B-00-2-24-3	GREEN	5.19	131.7	4.598	116.78	5.000	127.00

SEE SHEET-2 FOR OPTIONAL (BLACK) PART NUMBERS

FUNCTIONAL SYMBOLS	THIS DRAWING CONTAINS INFORMATION THAT IS PROPRIETARY TO MOLEX ELECTRONIC TECHNOLOGIES, LLC AND SHOULD NOT BE USED WITHOUT WRITTEN PERMISSION														
	DIMENSION UNITS		SCALE		CURRENT REV DESC: MIGRATED TO ECTR/NX. ADDED NEW PART NUMBERS										
	INCH/MM		4:1		<p>molex</p> <p>TERMINAL PLUG, 5.08MM HORIZONTAL SCREW WITH MOUNTING ENDS</p> <p>PRODUCT CUSTOMER DRAWING</p>										
	GENERAL TOLERANCES (UNLESS SPECIFIED)														
DIVISIONAL SYMBOLS	MM		INCH		EC NO: 748183										
	4 PLACES ± --- ± ---		SEE CHART		DRWN: ABENJAMINLW 2023/05/02										
	3 PLACES ± --- ± ---		SEE CHART		CHK'D: DACHAMMER 2023/05/02										
	2 PLACES ± --- ± ---		SEE CHART		APPR: JFMURPHY 2023/05/04										
1 PLACE ± --- ± ---		SEE CHART		INITIAL REVISION:											
0 PLACES ± --- ± ---		SEE CHART		DRWN: RSTONE 2014/03/19		DOCUMENT NUMBER				DOC TYPE	DOC PART	REVISION			
ANGULAR TOL ± ---		SEE CHART		APPR: JFMURPHY 2014/10/16		SD-39711-001		PSD	001	B3					
DRAFT WHERE APPLICABLE MUST REMAIN WITHIN DIMENSIONS				THIRD ANGLE PROJECTION		DRAWING		SERIES		MATERIAL NUMBER		CUSTOMER		SHEET NUMBER	
				C-SIZE		39711		SEE CHART		GENERAL MARKET		1 OF 2			

REF. LAST 2 DIGITS OF PART NUMBER EQUALS CIRCUIT COUNT

PART NUMBER DATA									
CIRCUITS	PART NUMBER	ENGINEERING NUMBER	COLOR	DIM. "A"		DIM. "B"		DIM. "C"	
				IN	mm	IN	mm	IN	mm
2	395341002	M753B-00-2-02-1	BLACK	.79	20.0	.200	5.08	.600	15.24
3	395341003	M753B-00-2-03-1	BLACK	.99	25.0	.400	10.15	.800	20.32
4	395341004	M753B-00-2-04-1	BLACK	1.19	30.1	.600	15.23	1.000	25.40
5	395341005	M753B-00-2-05-1	BLACK	1.39	35.2	.800	20.31	1.200	30.48
6	395341006	M753B-00-2-06-1	BLACK	1.59	40.3	1.000	25.39	1.400	35.56
7	395341007	M753B-00-2-07-1	BLACK	1.79	45.4	1.199	30.46	1.600	40.64
8	395341008	M753B-00-2-08-1	BLACK	1.99	50.4	1.399	35.54	1.800	45.72
9	395341009	M753B-00-2-09-1	BLACK	2.19	55.5	1.599	40.62	2.000	50.80
10	395341010	M753B-00-2-10-1	BLACK	2.39	60.6	1.799	45.70	2.200	55.88
11	395341011	M753B-00-2-11-1	BLACK	2.59	65.7	1.999	50.77	2.400	60.96
12	395341012	M753B-00-2-12-1	BLACK	2.79	70.8	2.199	55.85	2.600	66.04
13		M753B-00-2-13-1	BLACK	2.99	75.8	2.399	60.93	2.800	71.12
14		M753B-00-2-14-1	BLACK	3.19	80.9	2.599	66.01	3.000	76.20
15		M753B-00-2-15-1	BLACK	3.39	86.0	2.799	71.08	3.200	81.28
16	395341016	M753B-00-2-16-1	BLACK	3.59	91.1	2.999	76.16	3.400	86.36
17		M753B-00-2-17-1	BLACK	3.79	96.2	3.198	81.24	3.600	91.44
18		M753B-00-2-18-1	BLACK	3.99	101.2	3.398	86.32	3.800	96.52
19		M753B-00-2-19-1	BLACK	4.19	106.3	3.598	91.39	4.000	101.60
20		M753B-00-2-20-1	BLACK	4.39	111.4	3.798	96.47	4.200	106.68
21	395341021	M753B-00-2-21-1	BLACK	4.59	116.5	3.998	101.55	4.400	111.76
22		M753B-00-2-22-1	BLACK	4.79	121.6	4.198	106.63	4.600	116.84
23		M753B-00-2-23-1	BLACK	4.99	126.6	4.398	111.70	4.800	121.92
24	395341024	M753B-00-2-24-1	BLACK	5.19	131.7	4.598	116.78	5.000	127.00

CONTACT FACTORY FOR OPTIONAL COLOR

TOLERANCES			
MM	TOL	INCH	TOL
0-6	±0.25	0-.24	±.010
>6-30	±0.40	.24-1.18	±.016
>30-120	±0.50	1.18-4.76	±.020
>120	±0.80	>4.76	±.031

FUNCTIONAL SYMBOLS = 0 = 0 = 0 DIVISIONAL SYMBOLS	THIS DRAWING CONTAINS INFORMATION THAT IS PROPRIETARY TO MOLEX ELECTRONIC TECHNOLOGIES, LLC AND SHOULD NOT BE USED WITHOUT WRITTEN PERMISSION				
	DIMENSION UNITS INCH/MM		SCALE 1:1		
	GENERAL TOLERANCES (UNLESS SPECIFIED)				
	4 PLACES ± --- ± --- 3 PLACES ± --- ± SEE CHART 2 PLACES ± SEE CHART ± SEE CHART 1 PLACE ± SEE CHART ± --- 0 PLACES ± --- ± --- ANGULAR TOL ± ---		CURRENT REV DESC: MIGRATED TO ECTR/NX. ADDED NEW PART NUMBERS EC NO: 748183 DRWN: ABENJAMINLW 2023/05/02 CHK'D: DACHAMMER 2023/05/02 APPR: JFMURPHY 2023/05/04		
DRAFT WHERE APPLICABLE MUST REMAIN WITHIN DIMENSIONS		THIRD ANGLE PROJECTION		DRAWING SERIES C-SIZE 39711	
INITIAL REVISION: DRWN: RSTONE 2014/03/19 APPR: JFMURPHY 2014/10/16		PRODUCT CUSTOMER DRAWING		DOCUMENT NUMBER SD-39711-001	
		DOC TYPE PSD		DOC PART 001	
				REVISION B3	
		MATERIAL NUMBER SEE CHART		CUSTOMER GENERAL MARKET	
				SHEET NUMBER 2 OF 2	

molex

TERMINAL PLUG, 5.08MM HORIZONTAL SCREW WITH MOUNTING ENDS