

MODEL:

SRW18UHD

SmartRack® Heavy-Duty, Side-Mounting Wall-Mount Rack Enclosure Cabinet



18 Rack Units



500 lb.
Load Rating



Sturdy Steel
Construction



Locking
Doors
& Side Panels



Fits Full-Depth
Network
Equipment



Standard
19" Rack
Width



24" Low-Profile
Side Mounting



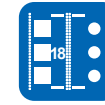
Convenient
Cable Access



Adjustable
Mounting Rails



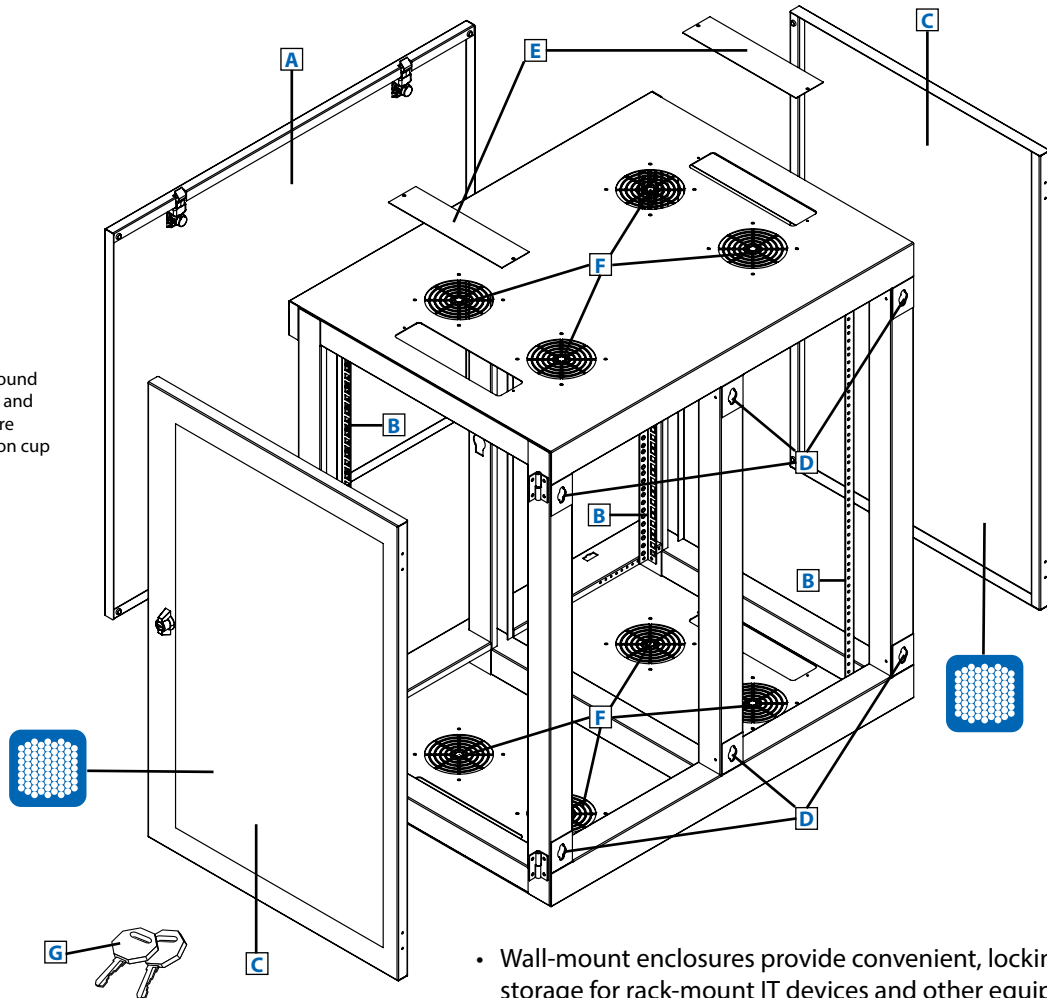
Ventilated for
Ample Airflow



Square and
Threaded Hole
Mounting

- A** Front Panel
(Lockable/Removable)
- B** Adjustable Mounting Rails (4)
- C** Side Doors (2)
(Lockable/Removable)
- D** Wall Mount Keyhole Slots (6)
- E** Cable Access Port Covers (4)
(Removable)
- F** Ventilation Fan Ports (8)
(Support optional SRFANWM fan kit.)
- G** Keys (2)

Also Includes: Owner's manual, cabinet ground screw, pre-installed side door ground wire and rack-mount equipment mounting hardware (42 cage nuts, 42 mounting screws, 42 nylon cup washers, 42 #12-24 equipment screws).



- Wall-mount enclosures provide convenient, locking storage for rack-mount IT devices and other equipment that should be off the floor, out of the way and secure
- Accommodates 29"-31" full-depth server equipment in limited-space applications
- Sideways wall mount design creates a low profile (24") and provides sufficient leverage for heavy equipment

SEE NEXT PAGE FOR DETAILED UNIT MEASUREMENTS



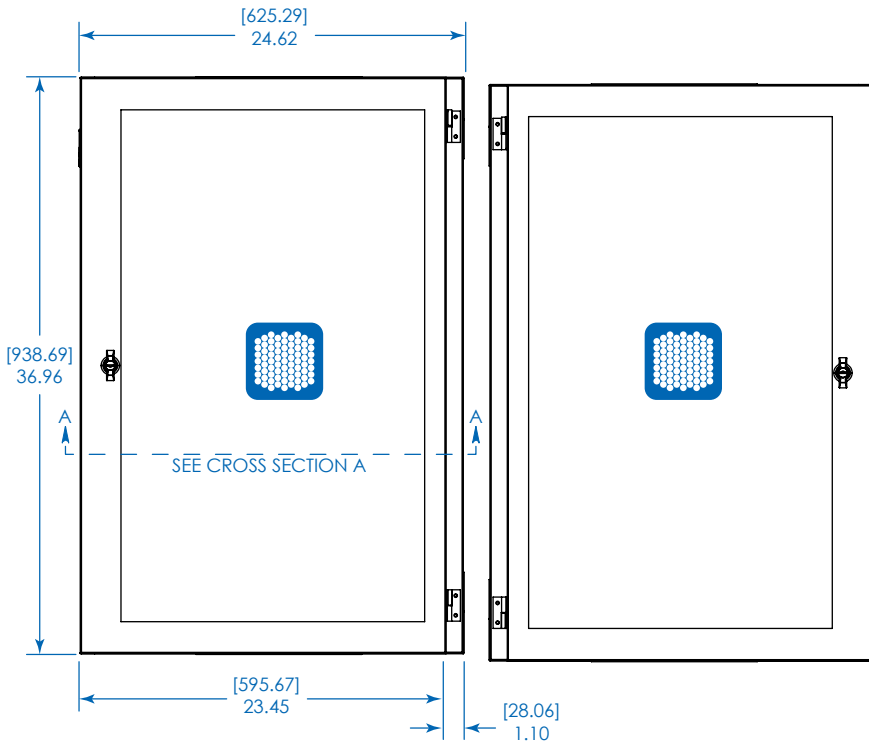
1111 W. 35th Street
Chicago, IL 60609 USA
773.869.1234
www.tripplite.com

Specifications

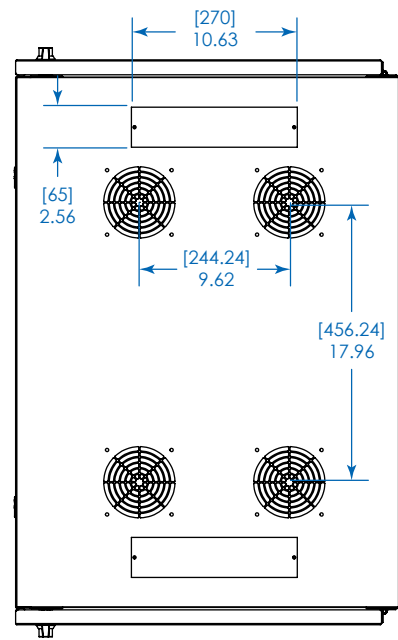
Models	SRW18UHD
Rack Spaces	18U
Equipment Mounting Depth	Up to 32.5 in. / 826 mm
Load Rating*	500 lb. / 181 kg
Unit Dimensions (H x W x D)	37 x 36.2 x 24.8 in. / 904.2 x 599.4 x 548.6 mm
Shipping Dimensions (H x W x D)	41.3 x 25.5 x 23.6 in. / 1049 x 647.7 x 599.4 mm
Unit Weight	120 lb. / 54.4 kg
Shipping Weight	137.5 lb. / 62.4 kg
Standards	Tested to EIA-310-E, NOM, RoHS standards

* The load rating includes the combined weight of the unit and installed equipment. The unit must be mounted to a stable surface with user-supplied anchors capable of bearing the full load.

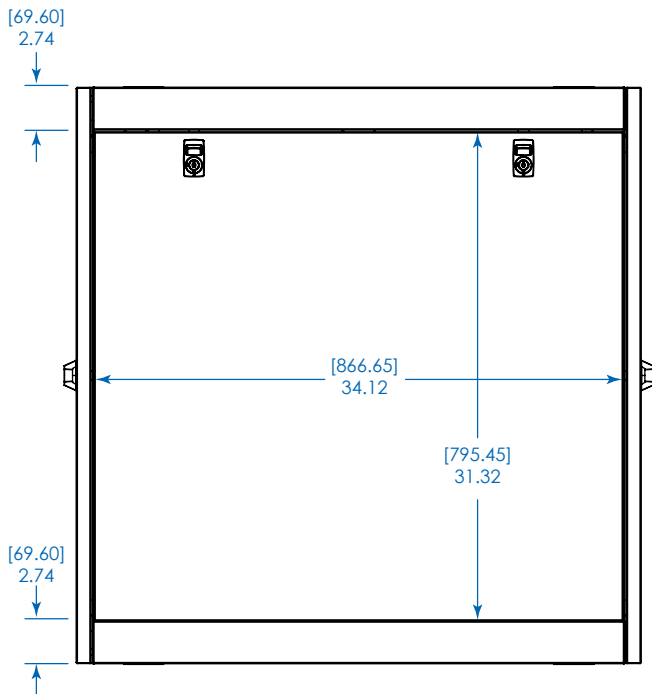




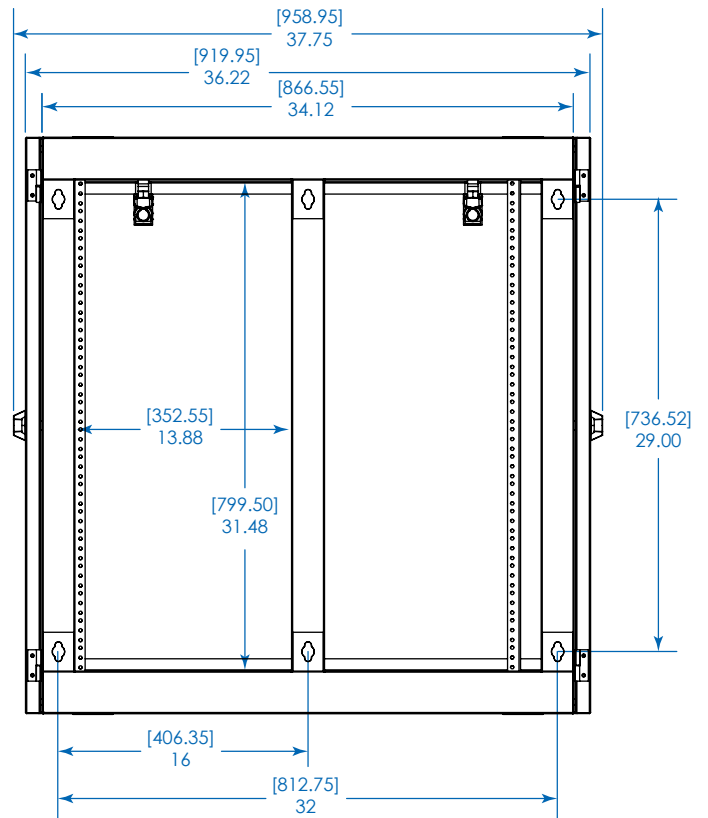
SIDE VIEWS



TOP/BOTTOM VIEW



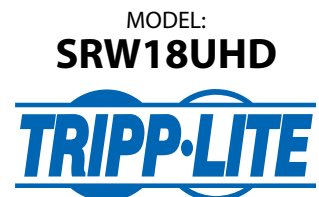
FRONT VIEW

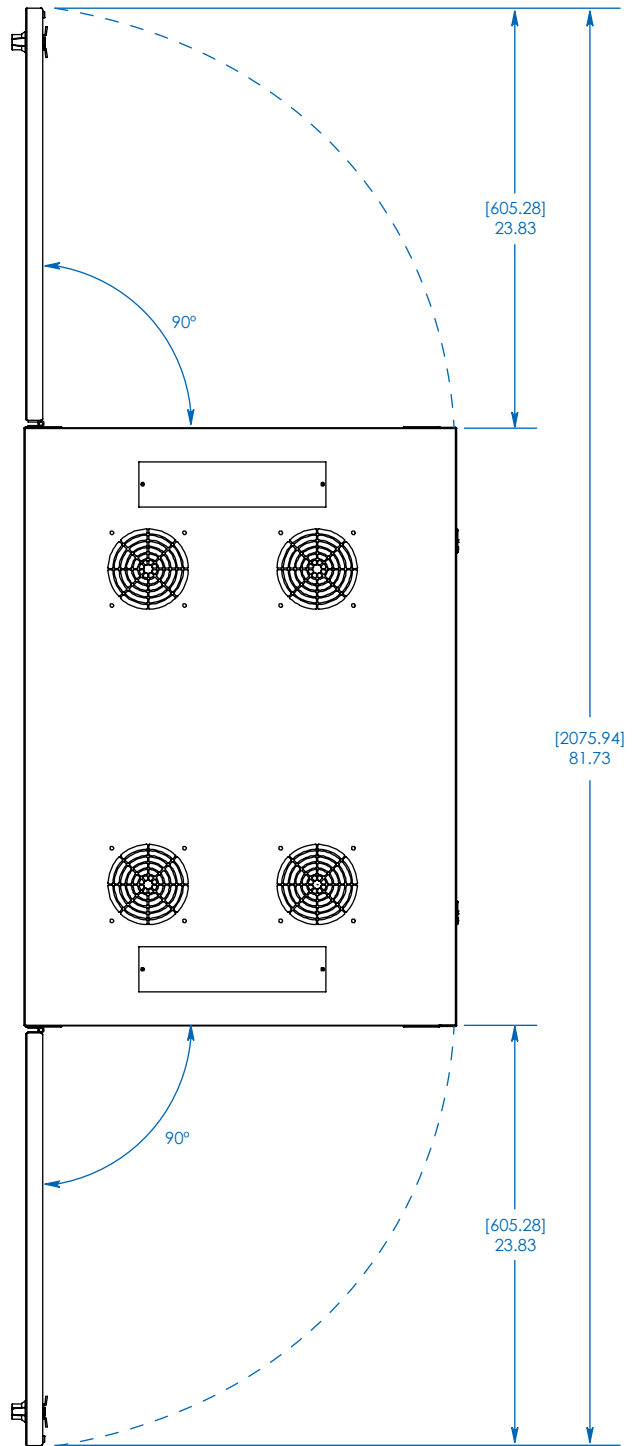
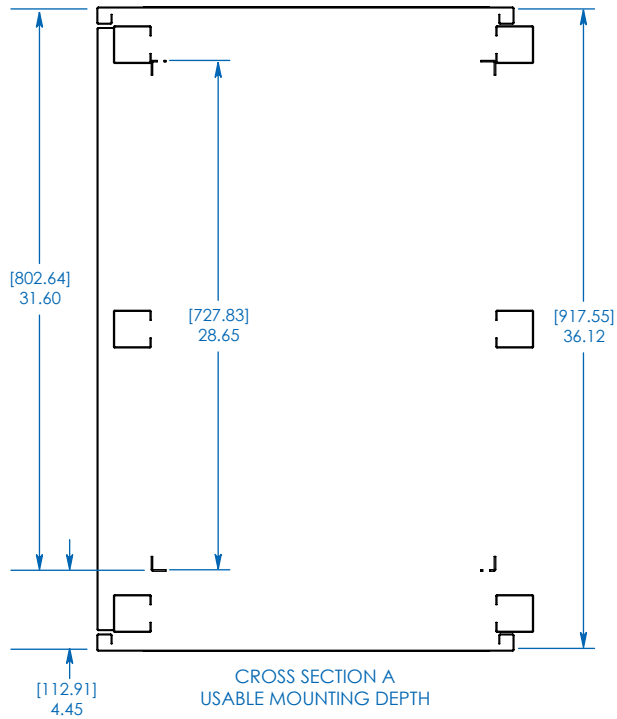


BACK VIEW

Dimensions: [mm] INCHES

Tripp Lite has a policy of continuous improvement. Specifications are subject to change without notice.





Dimensions: [mm] INCHES

Tripp Lite has a policy of continuous improvement. Specifications are subject to change without notice.

MODEL:
SRW18UHD

TRIPPLITE

1111 W. 35th Street
Chicago, IL 60609 USA
773.869.1234
www.tripplite.com