

# IHS series

Hall effect pushbutton switches •  
bushing Ø 12 mm • momentary



## DISTINCTIVE FEATURES

- Momentary pushbutton (NO)
- 5 million cycles
- Low behind-panel depth
- Standard and high actuator
- Sealed to IP67



## ENVIRONMENTAL SPECIFICATIONS

- Front panel sealing : IP67 according to IEC 60529
- Operating temperature : -40 °C to +85 °C (-40 °F to +185 °F)



## ELECTRICAL SPECIFICATIONS

- Supply voltage : 3.5 VDC to 24 VDC
- Supply current : VDC = 12 V : 2.5 mA Typ. to 5 mA max.  
(current consumption in OFF position)
- Max. output current : 50 mA
- Max. output voltage : 24 VDC
- Output type : NPN



## GENERAL SPECIFICATIONS

- Panel thickness : 1.5 mm (.059) min. - 4 mm (.157) max.
- Total travel : 1.80 mm (.070) ± 0.3 mm
- Typical operating force : 6 N ± 2 N
- Mechanical life : 5 million cycles
- Torque : 1.5 Nm max. applied to nut



## MATERIALS

- Case : PBT, UL94-V0
- Actuator : polyamide 6/6
- Bushing/bezel : zinc die-cast (zamac), black painted
- Multi-wire leads : AWG26, 150 mm

The company reserves the right to change specifications without notice.

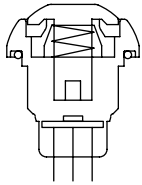


# IHS series

Hall effect pushbutton switches •  
bushing Ø 12 mm • momentary



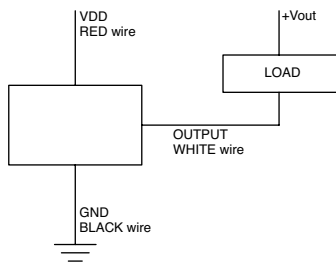
## ELECTRICAL FUNCTIONS



Function 3 (NO)

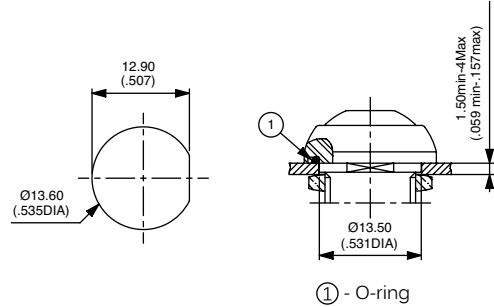


## WIRING DIAGRAM

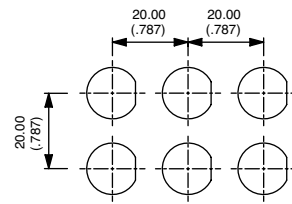


## MOUNTING

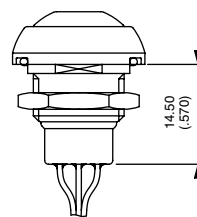
### PANEL CUT-OUT



### MATRIX MOUNTING



### BACK OF PANEL SPACE REQUIREMENT

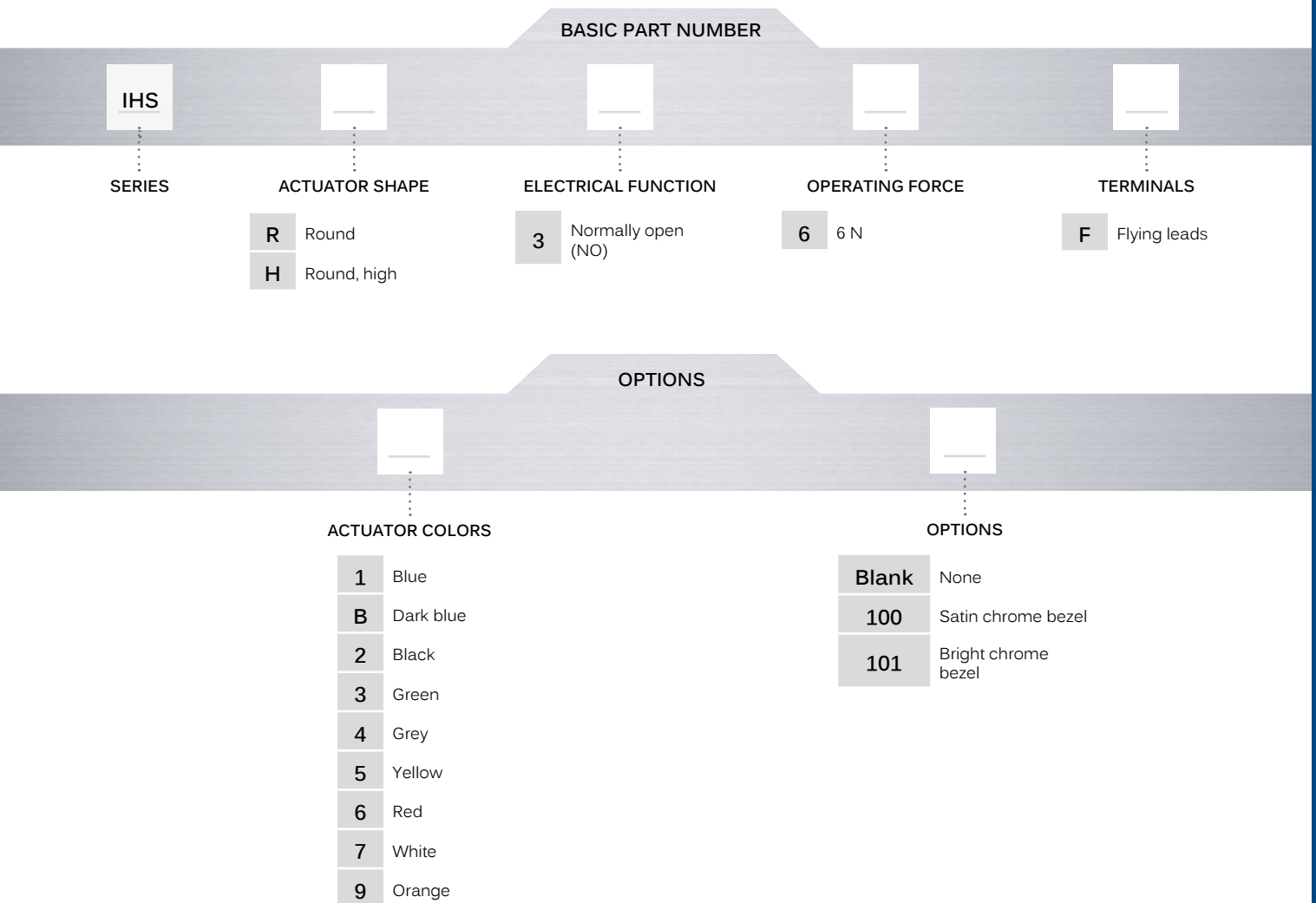


# IHS series

Hall effect pushbutton switches •  
bushing Ø 12 mm • momentary



## BUILD YOUR PART NUMBER



## ABOUT THIS SERIES

On the following pages, you will find successively basic part numbers of switches and options in the same order as in above chart.

- Notice** : please note that not all combinations of above numbers are available. Refer to the following pages for further information.
- A sealing boot** is available to protect the switches against frost and sand (P/N U5125). See "Sealing Boots" section of website.
- Mounting accessories** : Standard hardware supplied : 1 hex nut 14 mm (.551) across flats and 1 O-Ring. Hex nut part number U166.

# IHS series

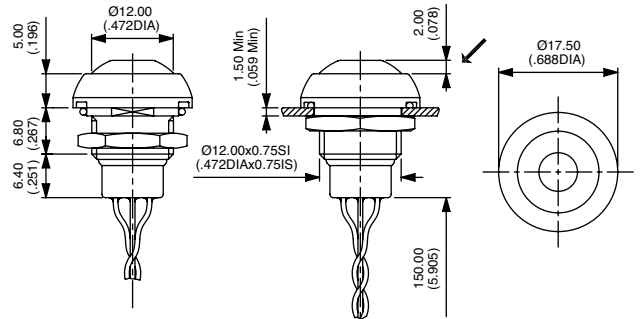
Hall effect pushbutton switches •  
bushing Ø 12 mm • momentary

## STANDARD ACTUATOR



**IHSR36F**  Normally Open

→ FLAT

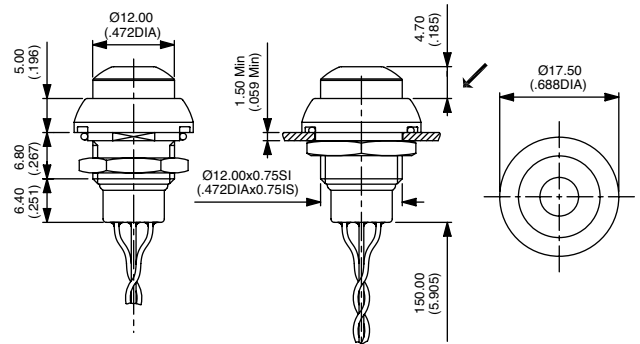


## HIGH ACTUATOR



**IHSH36F**  Normally Open

→ FLAT



### ACTUATOR COLORS



- 1 Blue
- B Dark blue
- 2 Black
- 3 Green
- 4 Grey
- 5 Yellow
- 6 Red
- 7 White
- 9 Orange

### OPTIONS



- 100 Satin chrome bezel
- 101 Bright chrome bezel