

ON Semiconductor

Is Now

onsemi™

To learn more about onsemi™, please visit our website at
www.onsemi.com

onsemi and **onsemi** and other names, marks, and brands are registered and/or common law trademarks of Semiconductor Components Industries, LLC dba "**onsemi**" or its affiliates and/or subsidiaries in the United States and/or other countries. **onsemi** owns the rights to a number of patents, trademarks, copyrights, trade secrets, and other intellectual property. A listing of **onsemi** product/patent coverage may be accessed at www.onsemi.com/site/pdf/Patent-Marking.pdf. **onsemi** reserves the right to make changes at any time to any products or information herein, without notice. The information herein is provided "as-is" and **onsemi** makes no warranty, representation or guarantee regarding the accuracy of the information, product features, availability, functionality, or suitability of its products for any particular purpose, nor does **onsemi** assume any liability arising out of the application or use of any product or circuit, and specifically disclaims any and all liability, including without limitation special, consequential or incidental damages. Buyer is responsible for its products and applications using **onsemi** products, including compliance with all laws, regulations and safety requirements or standards, regardless of any support or applications information provided by **onsemi**. "Typical" parameters which may be provided in **onsemi** data sheets and/or specifications can and do vary in different applications and actual performance may vary over time. All operating parameters, including "Typicals" must be validated for each customer application by customer's technical experts. **onsemi** does not convey any license under any of its intellectual property rights nor the rights of others. **onsemi** products are not designed, intended, or authorized for use as a critical component in life support systems or any FDA Class 3 medical devices or medical devices with a same or similar classification in a foreign jurisdiction or any devices intended for implantation in the human body. Should Buyer purchase or use **onsemi** products for any such unintended or unauthorized application, Buyer shall indemnify and hold **onsemi** and its officers, employees, subsidiaries, affiliates, and distributors harmless against all claims, costs, damages, and expenses, and reasonable attorney fees arising out of, directly or indirectly, any claim of personal injury or death associated with such unintended or unauthorized use, even if such claim alleges that **onsemi** was negligent regarding the design or manufacture of the part. **onsemi** is an Equal Opportunity/Affirmative Action Employer. This literature is subject to all applicable copyright laws and is not for resale in any manner. Other names and brands may be claimed as the property of others.



ON Semiconductor®

FPF2411 — IntelliMAX™ 6 V / 6 A - Rated Bi-Directional Switch with Slew Rate Control and RCB

Features

- Capability: 6 V
- Low R_{ON}
 - 10 m Ω at 5 V at PWRA or PWRB (Typ.)
 - 12 m Ω at 3.8 V at PWRA or PWRB (Typ.)
- Maximum Current Capability: 6 A (Bi-Directional)
- Ultra-Low I_Q : <1 μ A
- Active LOW Control Pin
- 2 ms Long Slew Rate
- Reverse Current Blocking (RCB) during OFF
- Robust ESD Capability:
 - 5 kV HBM, 2 kV CDM
 - 15 kV Air Discharge
 - 8 kV Contact Discharge Under IEC 61000-4-2

Description

The FPF2411 is a 6 V / 6 A-rated bi-directional load switch, consisting of a slew-rate-controlled, low-on-resistance, P-channel MOSFET switch with protection features. The slew-rate-controlled turn-on characteristic prevents inrush current and the resulting excessive voltage droop on the input power rails. The input voltage range operates from 2.3 V to 5.5 V.

Bi-directional switching allows reverse current from V_{OUT} to V_{IN} . The switching is controlled by active-LOW logic input the ONB pin. The FPF2411 is capable of interfacing directly with low-voltage control signal General-Purpose Input / Output (GPIO).

The FPF2411 is available in 12-bump, 1.235 mm x 1.625 mm Wafer-Level Chip-Scale Package (WLCSP) with 0.4 mm pitch.

Applications

- Smartphone / Tablet PC
- Mobile Devices
- Portable Media Devices

Ordering Information

Part Number	Top Mark	R_{ON} (Typ.) at 3.8 V_{IN}	Output Discharge	ONB Pin Functionality	Package
FPF2411BUCX-F130	QR	12 m Ω	No	Active LOW	12-Ball Wafer-Level Chip-Scale Package (WLCSP), 3 x 4 Array, 0.4 mm Pitch, 250 μ m Ball

Application Diagrams

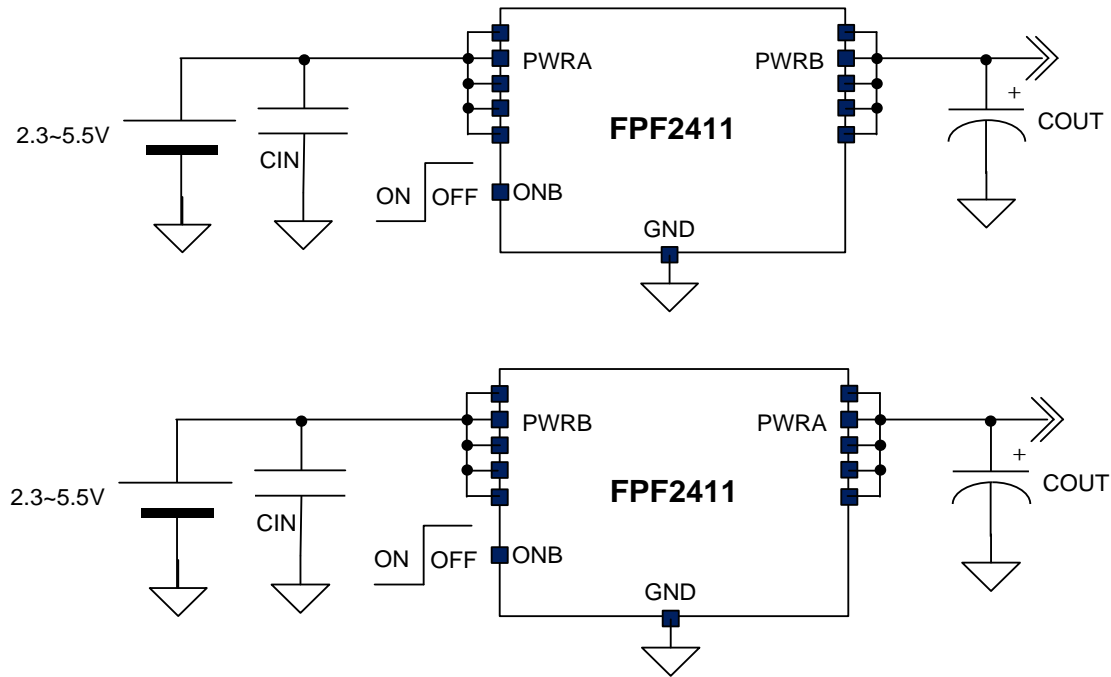
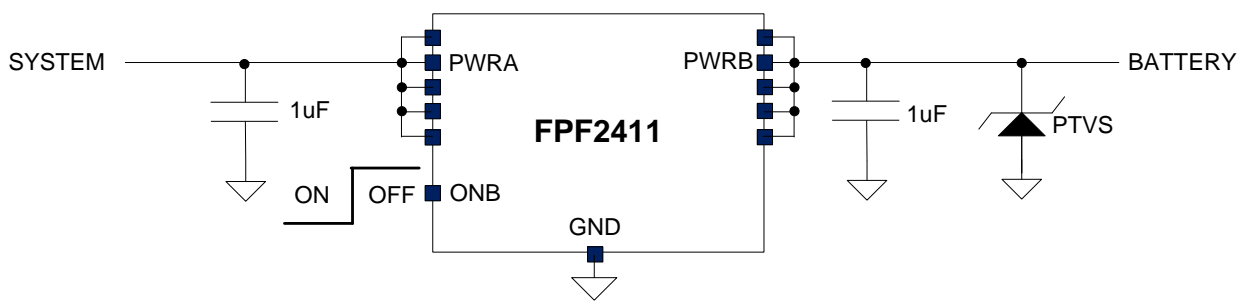


Figure 1. High-Level Application Diagrams



Note: Adding a PTVS such as RDP3101B is recommended at PWRB node in order to avoid device damage from surge or equivalent stress.

Figure 2. Battery Isolation Application

Block Diagrams

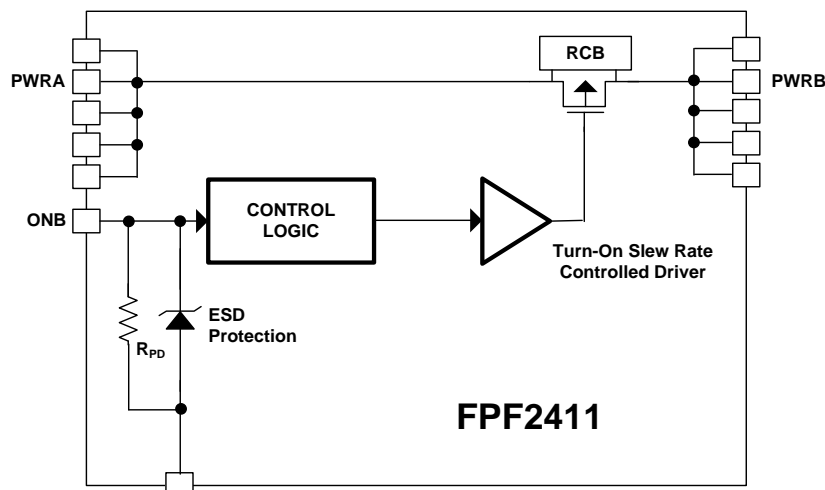


Figure 3. Block Diagram

Application Scenario

Table 1. PWRA and PWRB can be Input or Output, Depending on Scenario

PWRA	PWRB	ONB	Operations
X	X	HIGH	OFF state PWRA and PWRB are isolated. Current more than I_{SD} or I_{RCB} is NOT allowed.
2.3~5.5 V	Open	HIGH → LOW	Turn-on with 2 ms of t_R at PWRB.
Open	2.3~5.5 V	HIGH → LOW	Turn-on with 2 ms of t_R at PWRA.
2.3~5.5 V	Open	LOW	ON state Operating current is from PWRA. No problem with 6 A DC current flowing.
Open	2.3~5.5 V	LOW	ON state Operating current is from PWRB. No problem with 6 A DC current flowing.
2.3~5.5 V	Open	LOW → HIGH	Turn-off with 1 ms of t_F at PWRB.
Open	2.3~5.5 V	LOW → HIGH	Turn-off with 1 ms of t_F at PWRA.

Note:

1. X = Don't care.

Timing Diagrams

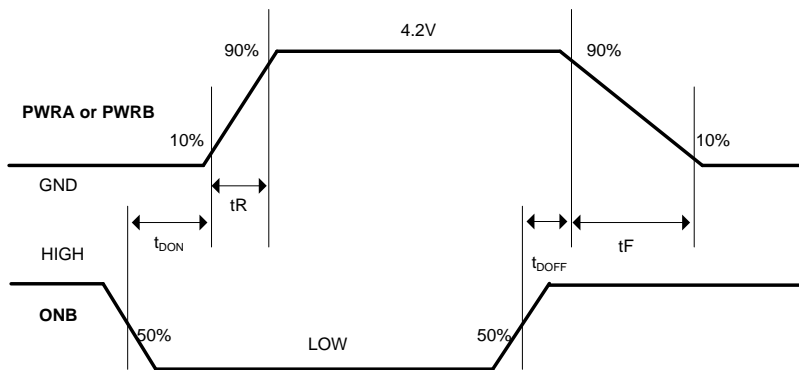


Figure 4. Dynamic Behavior

Pin Configuration

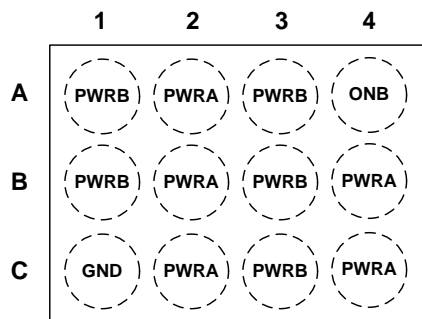
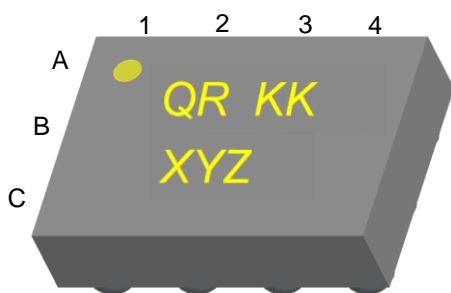


Figure 5. Top View

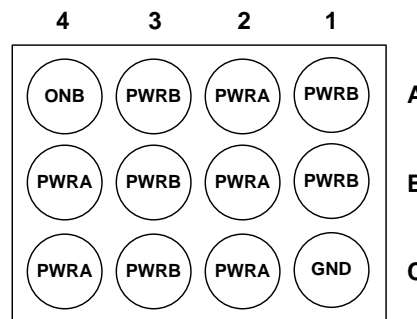
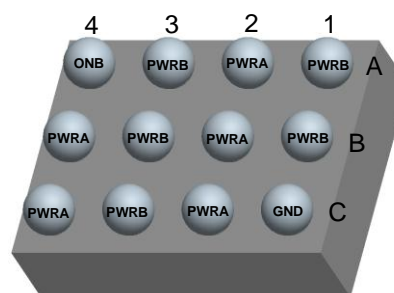


Figure 6. Bottom View

Pin Descriptions

Pin #	Name	Description
A2, B2, B4, C2, C4	PWRA	Power Input / Output: Bi-directional power path
A1, A3, B1, B3, C3	PWRB	Power Input / Output: Bi-directional power path
C1	GND	Ground
A4	ONB	ON/OFF Control Input: Active LOW.

Absolute Maximum Ratings

Stresses exceeding the absolute maximum ratings may damage the device. The device may not function or be operable above the recommended operating conditions and stressing the parts to these levels is not recommended. In addition, extended exposure to stresses above the recommended operating conditions may affect device reliability. The absolute maximum ratings are stress ratings only.

Symbol	Parameter	Min.	Max.	Unit
V _{PIN}	PWRA, PWRB, ONB to GND	-0.3	6.0	V
I _{SW}	Maximum Continuous Switch Current		6	A
t _{PD}	Total Power Dissipation at T _A =25°C		1.48	W
T _J	Operating Junction Temperature	-40	+150	°C
T _{STG}	Storage Junction Temperature	-65	+150	°C
θ _{JA}	Thermal Resistance, Junction-to-Ambient (1in. ² Pad of 2 oz. Copper)		84.1 ⁽²⁾	°C/W
ESD	Electrostatic Discharge Capability	Human Body Model, JESD22-A114	5	kV
		Charged Device Model, JESD22-C101	2	
	IEC61000-4-2 System Level	Air Discharge (PWRA, PWRB, ONB to GND)	15	
		Contact Discharge (PWRA, PWRB, ONB to GND)	8	

Note:

- Measured using 2S2P JEDEC std. PCB.

Recommended Operating Conditions

The Recommended Operating Conditions table defines the conditions for actual device operation. Recommended operating conditions are specified to ensure optimal performance to the datasheet specifications. On Semiconductor does not recommend exceeding them or designing to Absolute Maximum Ratings.

Symbol	Parameter	Min.	Max.	Unit
V _{PWRn}	PWRA, PWRB	2.3	5.5	V
T _A	Ambient Operating Temperature	-40	85	°C

DC / AC Characteristics

Unless otherwise noted, $V_{IN}=2.3$ to 5.5 V, $T_A=-40$ to 85°C ; typical values are at P_{WRA} or $P_{WRB}=4.2$ V and $T_A=25^\circ\text{C}$.

Symbol	Parameter	Condition	Min.	Typ.	Max.	Unit
$V_{P_{WRA}}$ $V_{P_{WRB}}$	Input Voltage		2.3		5.5	V
I_{SD}	Shutdown Current	$P_{WRA}=ONB=5.5$ V, $P_{WRB}=Open$ OR $P_{WRB}=ONB=5.5$ V, $P_{WRA}=Open$			1	μA
$I_{P_{WRA}}$ $I_{P_{WRB}}$	Quiescent Current	$ONB=GND$, $I_{OUT}=0$ mA			1	μA
R_{ON}	On-Resistance	P_{WRA} , $P_{WRB}=3.8$ V, $I_{OUT}=200$ mA, $T_A=25^\circ\text{C}$		12	17	m Ω
		P_{WRA} , $P_{WRB}=5$ V, $I_{OUT}=200$ mA, $T_A=25^\circ\text{C}$		10	16	
V_{IH}	ONB, Input Logic HIGH Voltage ⁽³⁾	$P_{WRn}=4.5$ V, $I_{LOAD}=50$ μA , T_A (Max.) = 60°C	4.3			V
		$P_{WRn}=3.6$ V, $I_{LOAD}=50$ μA , T_A (Max.) = 60°C	3.4			
V_{IL}	ONB, Input Logic LOW Voltage ⁽³⁾	$P_{WRn}=4.5$ V, $I_{LOAD}=50$ μA , T_A (Max.) = 60°C			0.4	
		$P_{WRn}=3.6$ V, $I_{LOAD}=50$ μA , T_A (Max.) = 60°C			0.4	
R_{PD}	Pull-Down Resistance at ONB			500	700	k Ω
Dynamic Characteristics: see definitions below						
t_{DON}	Turn-On Delay ^(4,5,6)	P_{WRA} or $P_{WRB} = 4.2$ V, $R_L=10$ Ω , $C_L=1$ μF , $ONB=HIGH$ to LOW		1.5		ms
t_R	Rise Time ^(4,5,6)			3.0		
t_{ON}	Turn-On Time ^(4,5,6)			4.5		
t_{DOFF}	Turn-Off Delay ^(4,5,7)	P_{WRA} or $P_{WRB} = 4.2$ V, $R_L=100$ Ω , $C_L=1$ μF , $ONB=LOW$ to $HIGH$		5.5		ms
t_F	Fall Time ^(4,5,7)			1.0		
t_{OFF}	Turn-Off Time ^(4,5,7)			6.5		

Notes:

- V_{IH}/V_{IL} is tested under 50 μA current load
- This parameter is guaranteed by design and characterization; not production tested.
- $t_{DON}/t_{DOFF}/t_R/t_F$ are defined in Figure 4.
- $t_{ON}=t_R + t_{DON}$.
- $t_{OFF}=t_F + t_{DOFF}$.

Table 2. V_{IH} / V_{IL} [V]

$I_{LOAD} \setminus V_{BAT}$	2.7 V	3.7 V	4.35 V
0.1 mA	1.8 / 0.7	2.9 / 0.9	3.4 / 1.0
1 mA	1.1 / 0.7	2.1 / 0.9	2.8 / 1.0
3 mA	1.1 / 0.7	2.1 / 0.9	2.7 / 1.0
5 mA	1.0 / 0.7	2.0 / 0.9	2.7 / 1.0
10 mA	0.9 / 0.7	1.9 / 0.8	2.4 / 0.9
30 mA	0.9 / 0.7	1.5 / 0.8	2.2 / 0.9
50 mA	0.9 / 0.7	1.2 / 0.8	1.9 / 0.9
100 mA	0.9 / 0.7	1.0 / 0.8	1.1 / 0.9

Typical Performance Characteristics

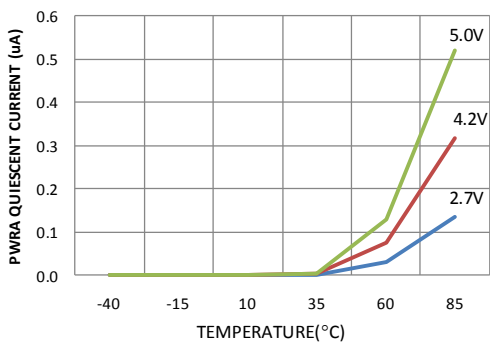


Figure 7. PWRA Quiescent Supply Current vs. Temperature

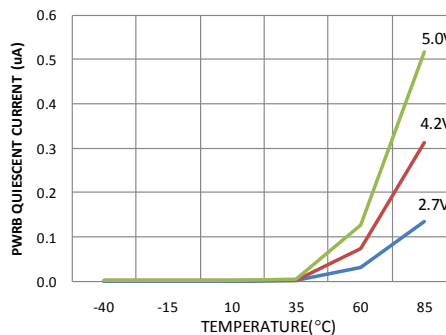


Figure 8. PWRB Quiescent Supply Current vs. Temperature

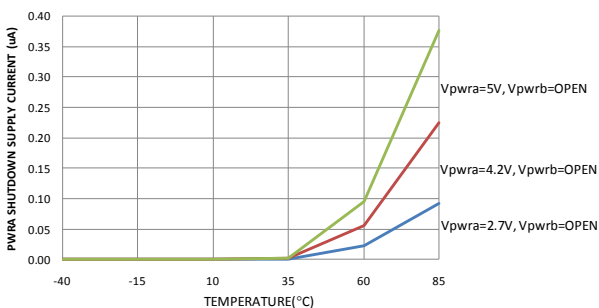


Figure 9. PWRA Shutdown Supply Current vs. Temperature

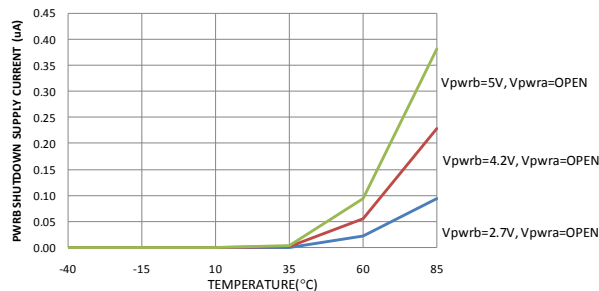


Figure 10. PWRB Shutdown Supply Current vs. Temperature

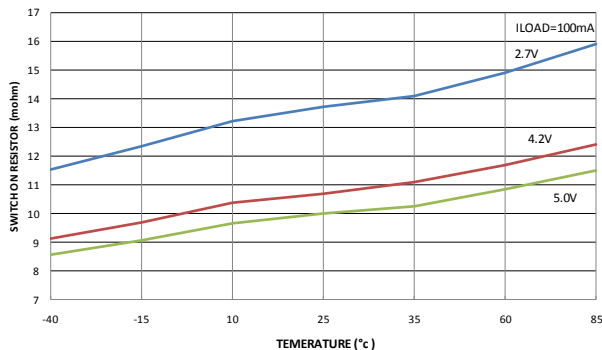


Figure 11. Switch On Resistance vs. Temperature

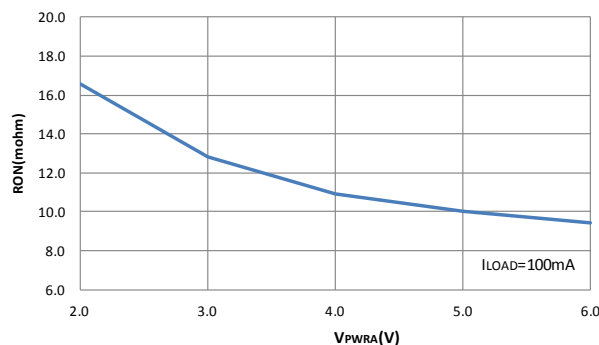


Figure 12. On Resistance vs. PWRA Voltage

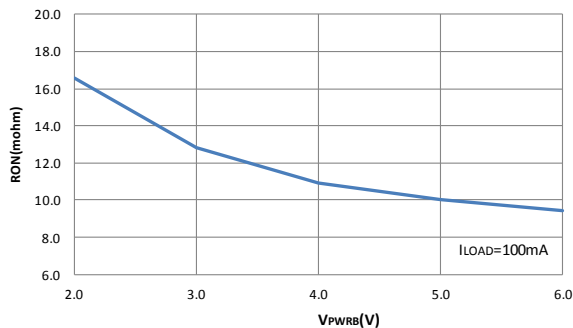


Figure 13. On Resistance vs. PWRB Voltage

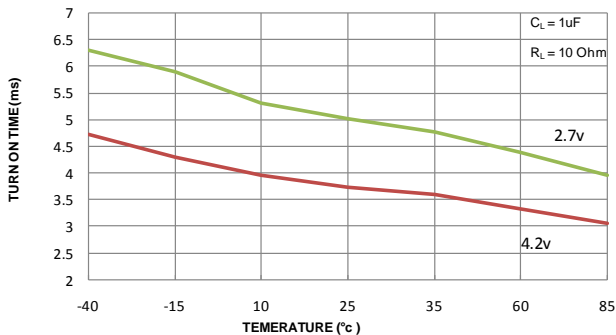


Figure 14. Switch On Time vs. Temperature

Typical Performance Characteristics (Continued)

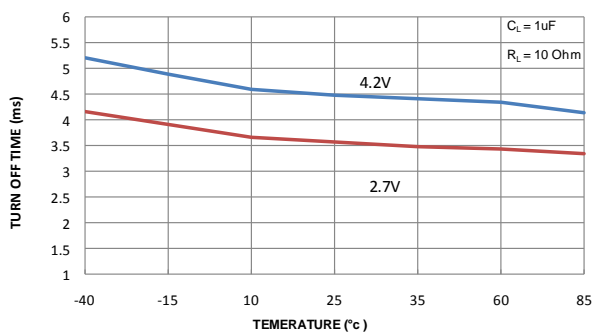


Figure 15. Switch Off Time vs. Temperature

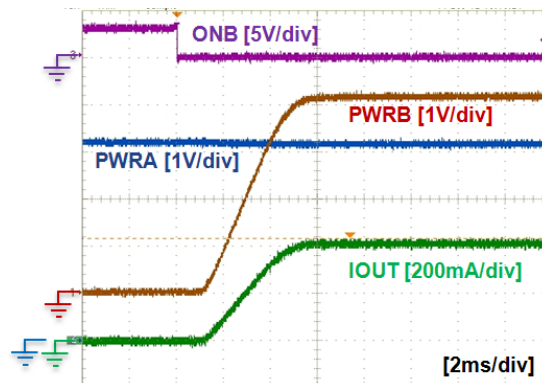


Figure 16. Turn-On Response ($V_{IN}=4.2\text{ V}$, $C_{IN}=1\text{ }\mu\text{F}$, $C_{OUT}=1\text{ }\mu\text{F}$, $R_L=10\text{ }\Omega$)

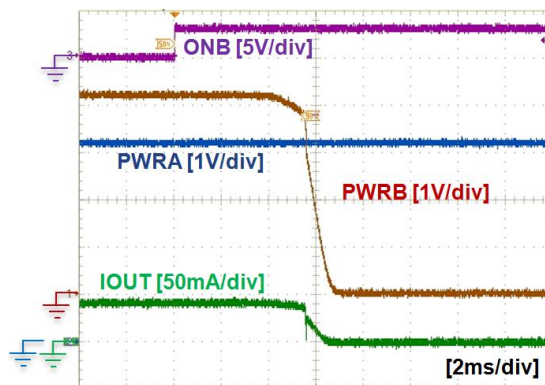


Figure 17. Turn-OFF Response ($V_{IN}=4.2\text{ V}$, $C_{IN}=1\text{ }\mu\text{F}$, $C_{OUT}=1\text{ }\mu\text{F}$, $R_L=100\text{ }\Omega$)

Operation and Application Description

The PPF2411 is an ultra-low- R_{ON} P-channel load switch with bi-directional controlled turn-on and Reverse Current Blocking (RCB). The core is a 12 m Ω P-channel MOSFET and controller capable of functioning over a wide input operating range of 2.3 V to 5.5 V. The ONB pin, active-LOW; controls the state of the switch. RCB functionality blocks unwanted reverse current during OFF states by power switch isolation between PWRA and PWRB.

Inrush Current

Inrush current occurs when the device is turned on. Inrush current is dependent on output capacitance and slew rate control capability, as expressed by:

$$I_{INRUSH} = C_{OUT} \times \frac{V_{IN} - V_{INITIAL}}{t_R} + I_{LOAD}$$

where:

C_{OUT} : Output capacitance;

t_R : Slew rate or rise time at V_{OUT} ;

V_{IN} : Input voltage;

$V_{INITIAL}$: Initial voltage at C_{OUT} , usually GND; and

I_{LOAD} : Load current.

Higher inrush current causes higher input voltage drop, depending on the distributed input resistance and input capacitance. High inrush current can cause problems.

PPF2411 has a 3 ms of slew rate capability under 4.2 V_{IN} at 1 μ F of C_{OUT} and 10 Ω of R_L . Inrush current can be minimized and no input voltage drop appears, as shown in Figure 16.

Reverse-Current Blocking

The reverse-current blocking feature protects the input source against current flow from output to input when the load switch is off by changing the internal body diode direction.

Bypass Capacitor

To limit the voltage drop on the input supply caused by transient inrush current when the switch turns on into a discharged load capacitor; a capacitor must be placed between the PWRA or PWRB and GND pins. A ceramic capacitor of at least 1 μ F placed close to the pins is usually sufficient.

Board Layout

For best performance, all traces should be as short as possible. To be most effective, the input and output capacitors should be placed close to the device to minimize the effect that parasitic trace inductance on normal and short-circuit operation. Using wide traces or large copper planes for all pins (PWRA, PWRB, ONB, and GND) minimizes the parasitic electrical effects and the case-to-ambient thermal impedance.

WLCSP Packing - Embossed Tape

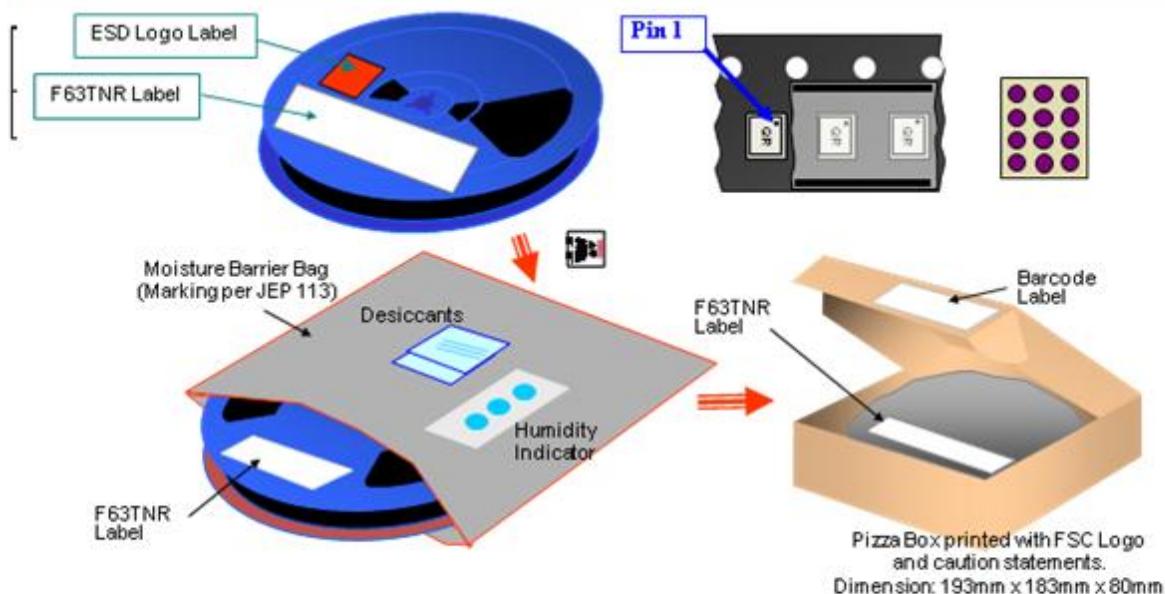
FPF2411BUCX Pin1 at 1 o'clock Rev0

Packing Description:

WLCSP products are classified under Moisture Sensitive Level 1 and are packed in moisture barrier bag for added protection.

The carrier tape is made from dissipative polystyrene or polycarbonate resin. The cover tape is a multilayer film primarily composed of polyester film, adhesive layer, heat activated sealant, and anti-static sprayed agent. These reeled parts in standard option are shipped with 3000 units per 178 mm diameter reel. Up to three reels are packed in each intermediate box. The reels is made of polystyrene plastic (anti-static coated or intrinsic).

These full reels are individually barcode labeled and placed inside a pizza box made of recyclable corrugated brown paper with a Fairchild logo printing. The reel is packed single reel in the pizza box. And these pizza boxes are placed inside a barcode labeled shipping box which comes in different sizes depending on the number of parts shipped.



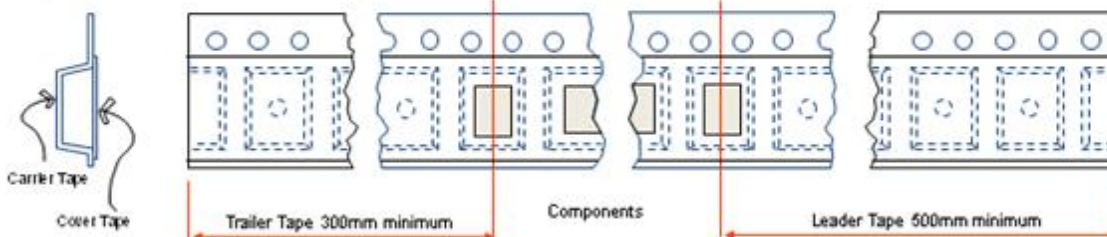
ESD Logo Label sample



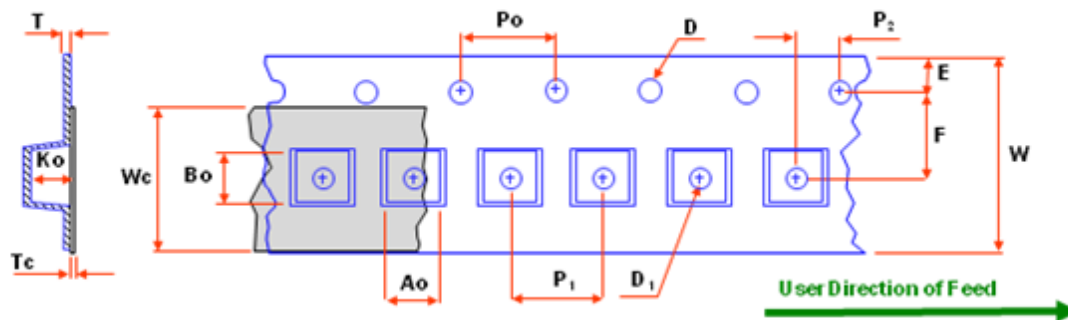
F63TNR Label sample



Tape Leader and Trailer Configuration



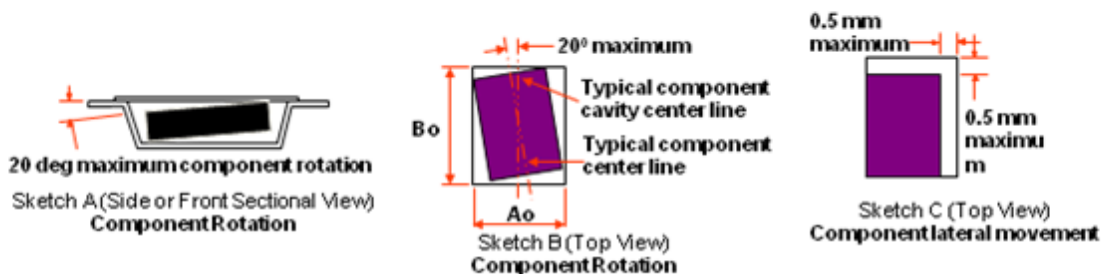
WLCSP Embossed Tape Dimension



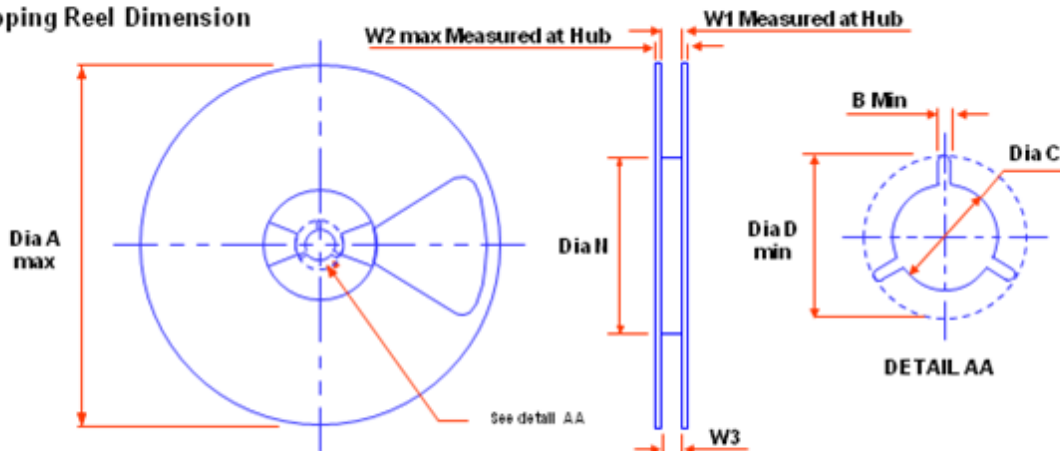
Dimensions are in millimeters

Package	A _o +/-0.05	B _o +/-0.05	D +0.10	D ₁ min.	E +/-0.1	F +/-0.1	K _o +/-0.05	P ₁ TYP	P _o TYP	P ₂ +/-0.05	T TYP	T _c +/-0.005	W +/-0.3	W _c TYP
FPF2411UCX	1.55	1.95	1.50	0.5	1.75	3.5	0.75	4	4	2.0	0.25	0.06	8	5.3

Notes: A_o, B_o, and K_o dimensions are determined with respect to the EIA/JEDEC RS-481 rotational and lateral movement requirements (see sketches A, B, and C).



Shipping Reel Dimension

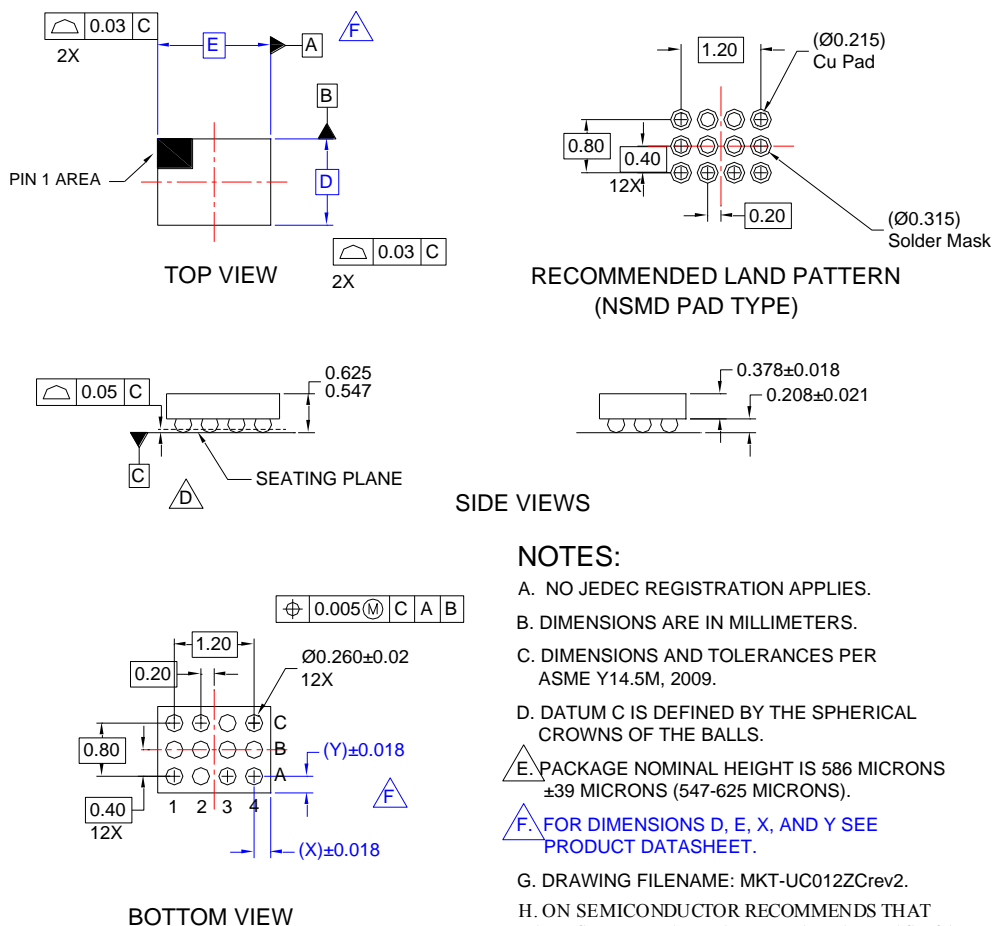


Dimensions are in millimeters

Tape Width	Dia A max	Dim B min	Dia C +5/-2	Dia D min	Dim N min	Dim W1 +2/-0	Dim W2 max	Dim W3 (LSL - USL)
8	178	1.5	13	20.2	55	8.4	14.4	7.9~10.4

Rev 1, 25102011

Physical Dimensions



NOTES:

- A. NO JEDEC REGISTRATION APPLIES.
- B. DIMENSIONS ARE IN MILLIMETERS.
- C. DIMENSIONS AND TOLERANCES PER ASME Y14.5M, 2009.
- D. DATUM C IS DEFINED BY THE SPHERICAL CROWNS OF THE BALLS.
- E. PACKAGE NOMINAL HEIGHT IS 586 MICRONS ±39 MICRONS (547-625 MICRONS).
- F. FOR DIMENSIONS D, E, X, AND Y SEE PRODUCT DATASHEET.
- G. DRAWING FILENAME: MKT-UC012ZCrev2.
- H. ON SEMICONDUCTOR RECOMMENDS THAT LANDS IN THE LANDPATTERN ARE AT LEAST .215MM DIAMETER AS MEASURED AT THE BOTTOM OF THE LAND, NOT THE TOP EDGE

Figure 18. 12-Ball, 3x4 Array, 0.4 mm Pitch, 250 µm Ball, Wafer-Level Chip-Scale Package (WLCSP)

Nominal Values

Bump Pitch	Overall Package Height	Silicon Thickness	Solder Bump Height	Solder Bump Diameter
0.4 mm	0.586 mm	0.378 mm	0.208 mm	0.260 mm

Product-Specific Dimensions

Product	D	E	X	Y
FPF2411BUCX-F130	1.235 mm	1.625 mm	0.2125 mm	0.2175 mm

ON Semiconductor and the ON Semiconductor logo are trademarks of Semiconductor Components Industries, LLC dba ON Semiconductor or its subsidiaries in the United States and/or other countries. ON Semiconductor owns the rights to a number of patents, trademarks, copyrights, trade secrets, and other intellectual property. A listing of ON Semiconductor's product/patent coverage may be accessed at www.onsemi.com/site/pdf/Patent-Marking.pdf. ON Semiconductor reserves the right to make changes without further notice to any products herein. ON Semiconductor makes no warranty, representation or guarantee regarding the suitability of its products for any particular purpose, nor does ON Semiconductor assume any liability arising out of the application or use of any product or circuit, and specifically disclaims any and all liability, including without limitation special, consequential or incidental damages. Buyer is responsible for its products and applications using ON Semiconductor products, including compliance with all laws, regulations and safety requirements or standards, regardless of any support or applications information provided by ON Semiconductor. "Typical" parameters which may be provided in ON Semiconductor data sheets and/or specifications can and do vary in different applications and actual performance may vary over time. All operating parameters, including "Typicals" must be validated for each customer application by customer's technical experts. ON Semiconductor does not convey any license under its patent rights nor the rights of others. ON Semiconductor products are not designed, intended, or authorized for use as a critical component in life support systems or any FDA Class 3 medical devices or medical devices with a same or similar classification in a foreign jurisdiction or any devices intended for implantation in the human body. Should Buyer purchase or use ON Semiconductor products for any such unintended or unauthorized application, Buyer shall indemnify and hold ON Semiconductor and its officers, employees, subsidiaries, affiliates, and distributors harmless against all claims, costs, damages, and expenses, and reasonable attorney fees arising out of, directly or indirectly, any claim of personal injury or death associated with such unintended or unauthorized use, even if such claim alleges that ON Semiconductor was negligent regarding the design or manufacture of the part. ON Semiconductor is an Equal Opportunity/Affirmative Action Employer. This literature is subject to all applicable copyright laws and is not for resale in any manner.

PUBLICATION ORDERING INFORMATION

LITERATURE FULFILLMENT:

Literature Distribution Center for ON Semiconductor
 19521 E. 32nd Pkwy, Aurora, Colorado 80011 USA
Phone: 303-675-2175 or 800-344-3860 Toll Free USA/Canada
Fax: 303-675-2176 or 800-344-3867 Toll Free USA/Canada
Email: orderlit@onsemi.com

N. American Technical Support: 800-282-9855 Toll Free
 USA/Canada.
Europe, Middle East and Africa Technical Support:
 Phone: 421 33 790 2910
Japan Customer Focus Center
 Phone: 81-3-5817-1050

ON Semiconductor Website: www.onsemi.com
Order Literature: <http://www.onsemi.com/orderlit>

For additional information, please contact your local Sales Representative