

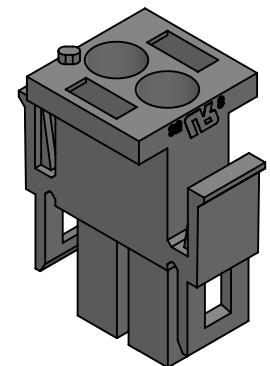
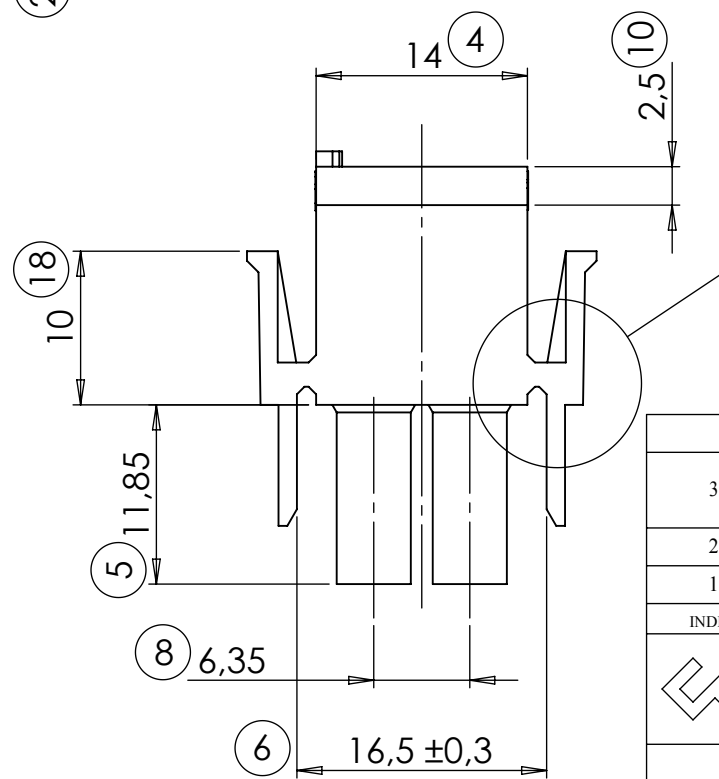
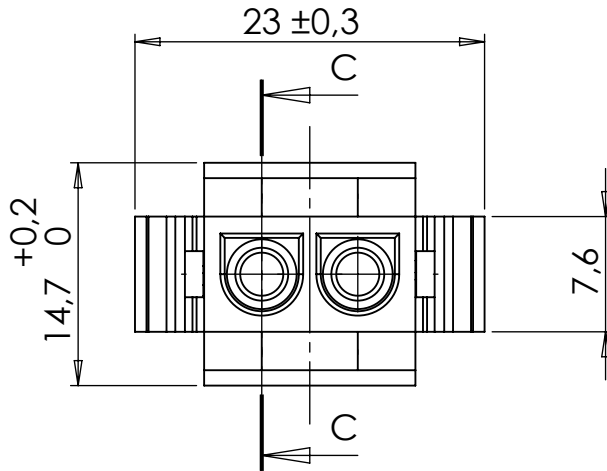
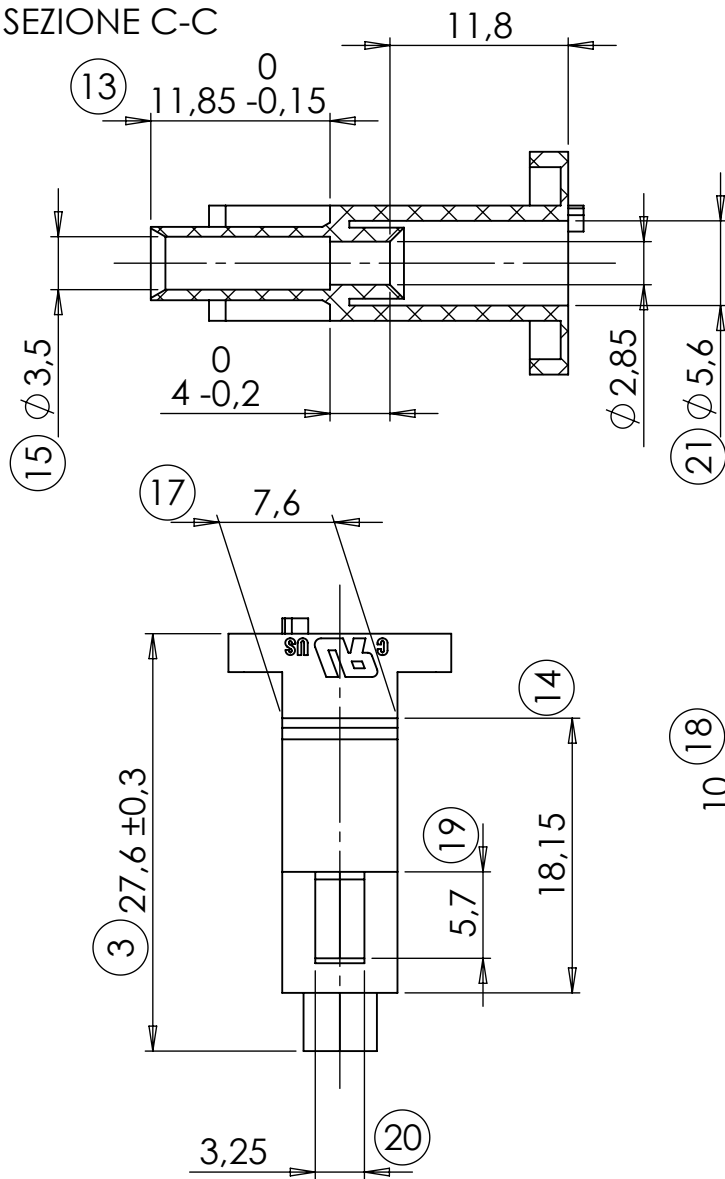
D

C

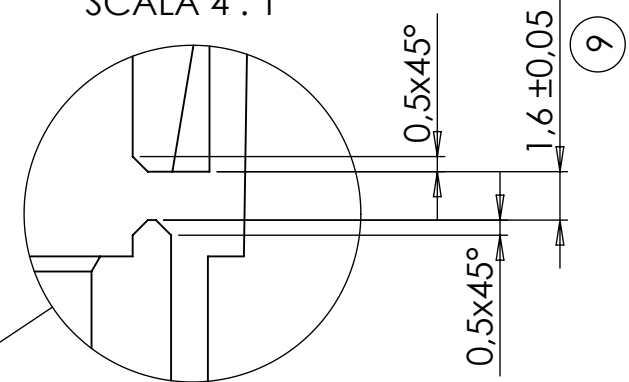
B

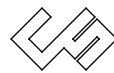
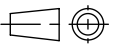
A

SEZIONE C-C



DETTAGLIO G  
SCALA 4 : 1



3	Modified diameters from Ø3.75 to Ø3.50 (See section C-C) Improved thickness latching hook to 1.60 mm (See details "G")	05-10-2015
2	Added UL & CSA symbols	09-11-2011
1	Updated title box and raw materials list	30-09-2009
INDEX	MODIFICATION	DATE
 <p>CS S.r.l. 20063 CERNUSCO S/N - VIA COMO, 11 TEL +39.02.9210.7404 - FAX +39.02.9210.0217 http://www.csconnectors.com - e-mail: info@csconnectors.com</p>		
CHECKED BY Stefano Galimberti		DATE
DRAWN BY Luca Viscardi		DATE
CAD REFER Y:\dis\cs\lk\02vie\m\	SIZE A4	SCALE 2:1
DESIGN UNITS METRIC		WEIGHT 1.88
BASE CODE CS-LK02M		INDEX 0 10-11-2009
DESCRIPTION 2 Poles plug connector for LK series cylindrical terminals		

DIMENSIONS WITHOUT TOLERANCES		CS-LK02M	PA66 UL94 V-2
		CS-LK02MV0	PA6/66 UL94 V-0
		CS-LK02MSTY	PA46 UL94 V-2
		CS-LK02MV0750NF	PA66 UL94 V-0 GWIT 775
		CS-LK02M-G	PA6 UL94 V-2 GWIT 775
		PART NUMBER	MATERIAL

A	0 - 6	±0.1
	6 - 30	±0.2
	> 30	±0.3