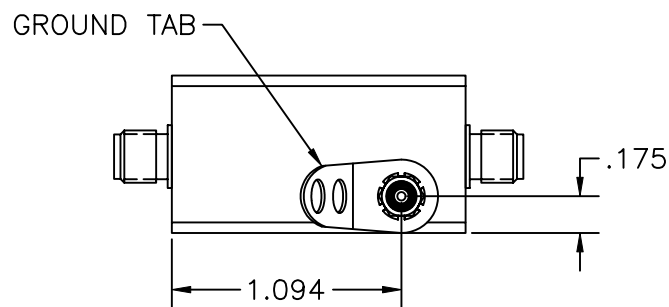
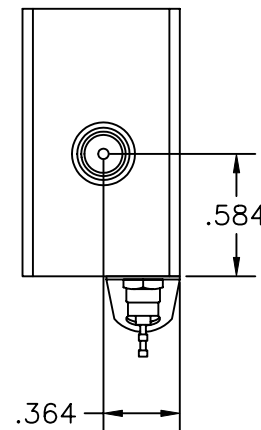
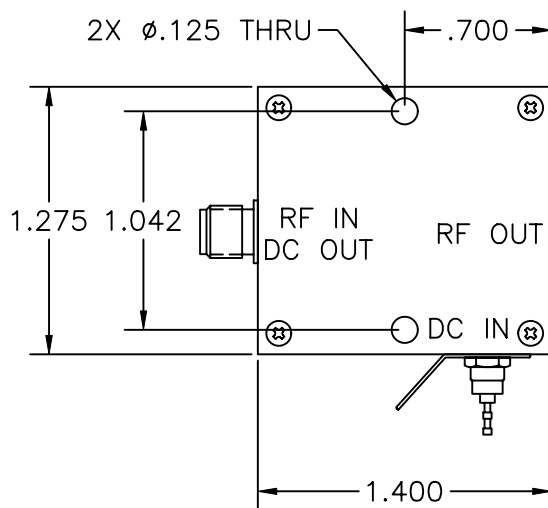
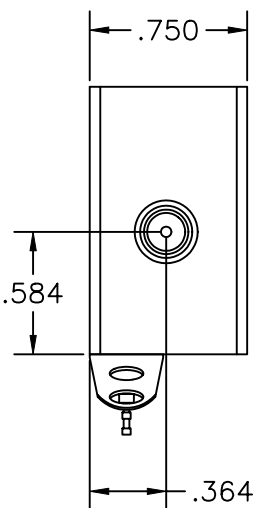


PROPRIETARY DATA OF IF Engineering Corp.
 THIS DOCUMENT CONTAINS PROPRIETARY INFORMATION.
 ANY REPRODUCTION, DISCLOSURE, OR USE OF
 ITS CONTENTS IS EXPRESSLY PROHIBITED EXCEPT AS
 AUTHORIZED BY IF Engineering Corp.

REVISION

LTR.	DESCRIPTION	DATE	APPVL.
-	ENG. RELEASED	12/22/11	MJD

2X TYPE 'SMA' FEMALE
 PRESS-MOUNT



ELECTRICAL SPECIFICATION

FREQUENCY (RANGE) MHz	10	20-3000
REJECTION (dB) MIN.	60	30
DC IN TO RF (IN/OUT)		
INSERTION LOSS (dB) MAX.	0.75	1.25 MAX., 1.0 TYP.
VSWR		
IN	1.75:1 MAX.	1.6:1 MAX., 1.5:1 TYP.
OUT	1.75:1 MAX.	1.6:1 MAX., 1.5:1 TYP.
IMPEDANCE (OHMS) NOM.	50	50
INPUT CURRENT (mA) @25 VDC MAX.	500	500

**RoHS
 Compliant**

UNLESS OTHERWISE SPECIFIED
 DRAWING PRACTICES PER
 MIL-STD-100

TOLERANCES ANGLES ±1/2°
 .XX ±.01 .XXX ±.005

SURFACE 63/ REMOVE BURRS
 ROUGHNESS ✓ SHARP EDGES

MATERIAL: SEE NOTE 1

FINISH: SEE NOTE 2

DRAWN DATE
 CL 6-27-11

ENGRG APPD DATE
 CL 12-22-11

MFG APPD DATE

QA APPD DATE

RELEASED DATE
 MJD 12/22/11

IFE ENGINEERING
 40 PARKER ROAD, FABYAN CT 06255

TITLE
 OUTLINE DRAWING
 BT-3G-S

SIZE	CODE IDENT NO.	DRAWING NO.	REV.
A	OUF A1	073-125-181	-

SCALE 1:1 SHEET 1 OF 1

NOTES:

1. MATERIAL: CHASSIS & COVER ALUMINUM
2. FINISH: CLEAR CHROMATE
3. SPECIFICATION SUBJECT TO CHANGE WITHOUT NOTICE