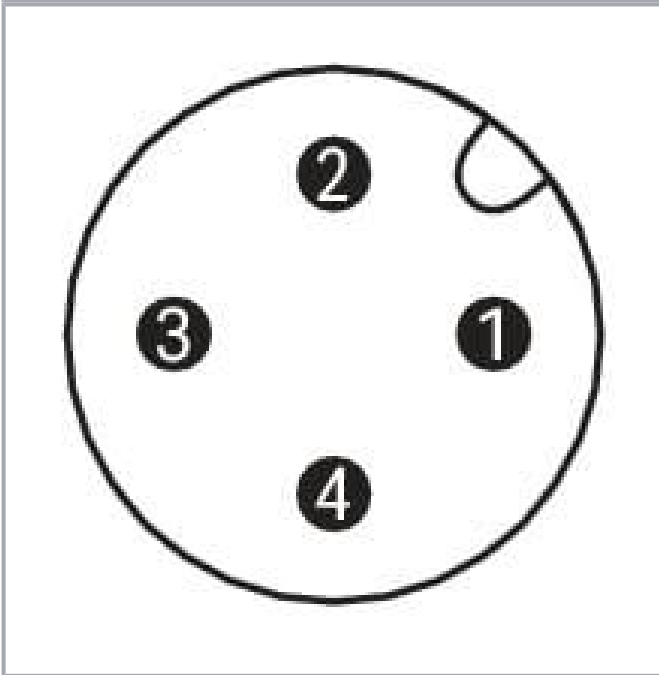
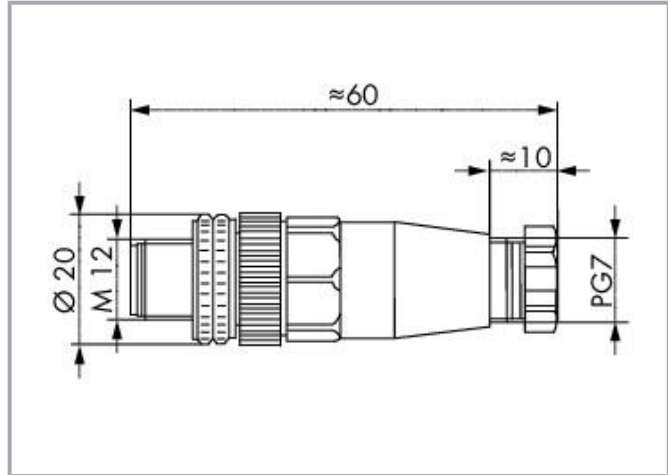


Data sheet | Item number: 756-9201/040-000

Fitted pluggable connector; 4-pole; M12 plug, straight, A-coded; Screw

www.wago.com/756-9201/040-000



Subject to changes. Please also observe the further product documentation!

WAGO GmbH & Co. KG
Hansastr. 27
32423 Minden
Phone: +49571 887-0 | Fax: +49571 887-169
Email: info.de@wago.com | Web: www.wago.com

Do you have any questions about our products?
We are always happy to take your call at +49 (571) 887-44222.



Data

Technical data

Connection type	M12 plug
Pole number	4
Cable connection direction to mating direction	0°
Connector interface coding (cable/adapter) 1 1	A-coded
Contact resistance	≤3 mΩ

Connection data

Connection type 1	Screw clamp technology
Solid conductor	0.25 ... 0.75 mm ²

Mechanical Data

Connectable sheathed cable diameter	4 ... 6 mm
Housing material	PA
Contact material	CuZn
Contact plating	Gold
Dichtungsmaterial	Seal: Neoprene
Mating cycles (max.)	100
Weight	24 g

Environmental requirements

Ambient temperature (operation)	-25 ... +85 °C
Protection type	IP67
Note on protection type	in locked position
Pollution degree	3

Commercial data

eCl@ss 10.0	27-24-26-92
eCl@ss 9.0	27-24-26-92
ETIM 8.0	EC002584
ETIM 7.0	EC002584
PU (SPU)	5 pcs
Packaging type	box
Country of origin	HU

Subject to changes. Please also observe the further product documentation!

WAGO GmbH & Co. KG
 Hansastr. 27
 32423 Minden
 Phone: +49571 887-0 | Fax: +49571 887-169
 Email: info.de@wago.com | Web: www.wago.com

Do you have any questions about our products?
 We are always happy to take your call at +49 (571) 887-44222.



GTIN	4044918977401
Customs tariff number	85366990990

Environmental Product Compliance

RoHS Compliance Status	Compliant, No Exemption
------------------------	-------------------------

Downloads Documentation

Bid Text

756-9201/040-000 X81 - Datei	2019 Feb 19	xml 2.8 kB	Download
756-9201/040-000 doc - Datei	2017 Sep 20	doc 24.6 kB	Download

System Description

IP67 Cables and Pluggable Connectors	pdf 161.6 kB	Download
--------------------------------------	-----------------	----------

CAD/CAE-Data

CAE data

WSCAD Universe 756-9201/040-000	URL	Download
WSCAD Universe 756-9201/040-000	URL	Download

Environmental Product Compliance

Compliance Search

Environmental Product Compliance 756-9201/040-000 Fitted pluggable connector; 4-pole; M12 plug, straight, A-coded; Screw	URL	Download
---	-----	----------

Installation Notes

Subject to changes. Please also observe the further product documentation!