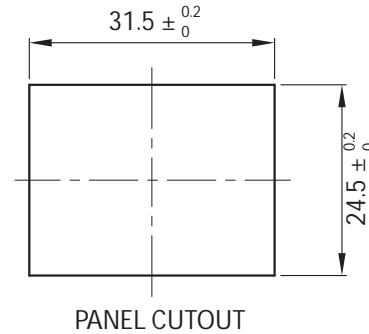
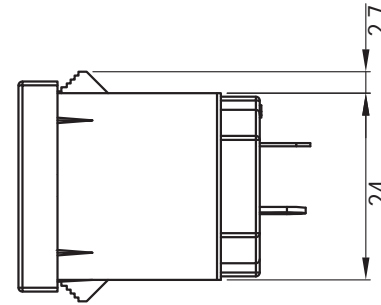
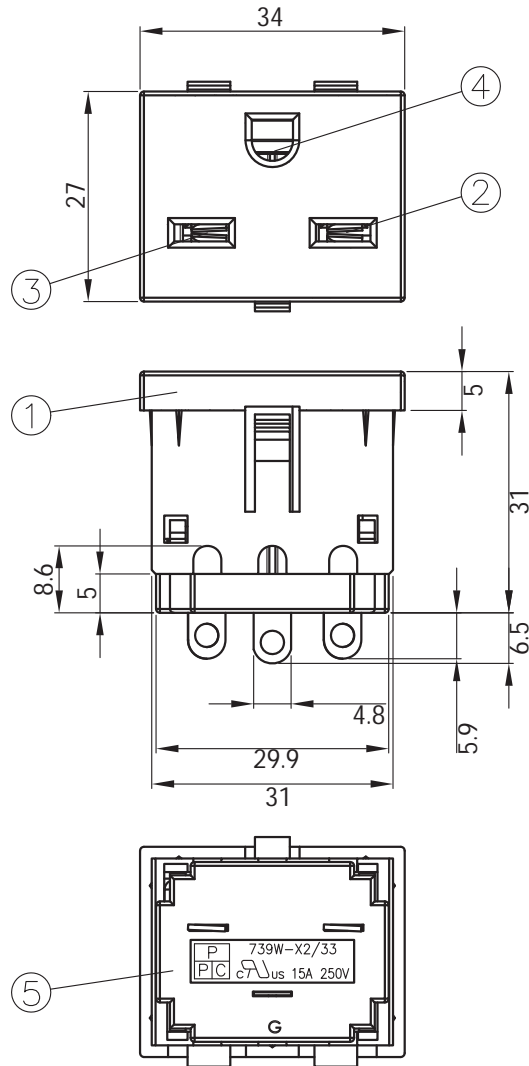


THESE DRAWINGS ARE THE PROPERTY OF QUALTEK ELECTRONICS AND NOT TO BE REPRODUCED FOR OR COMMUNICATED TO A THIRD PARTY WITHOUT THE EXPRESS WRITTEN PERMISSION OF AN OFFICER OF QUALTEK ELECTRONICS.

REVISION			
REV.	DESCRIPTION	DATE	APPROVED



CONTROLLED

NOTES:

RATING: 15A 250V AC
 APPROVALS: UL,cUL
 PANEL THICKNESS: 0.8~1.8mm
 NEMA 6-15R
 RoHS COMPLIANT

5	Cover Insulator NYLON Black Color	1
4	Contact PIN Brass Strip t=0.3mm Tin-Plated	1
3	Contact PIN Brass Strip t=0.7mm Tin-Plated	1
2	Contact PIN Brass Strip t=0.7mm Tin-Plated	1
1	Body Insulator NYLON Black Color	1

Dim range (mm)	Tolerance +/- (mm)	Qualtek Electronics Corp. PPC DIVISION		
		Part Number: 739W-X2/33	RoHS Compliant	
0-1	0.50	Description: AC RECEPTACLE		
1-6	0.55			
6-18	0.60	UNIT: mm		
18-50	0.65			
50-120	0.70	Drawn / Date	Checked / Date	Approved / Date
120-250	0.90	R.Nuti 07-25-22	07-25-22	LY / 07-25-22
250-500	1.20			