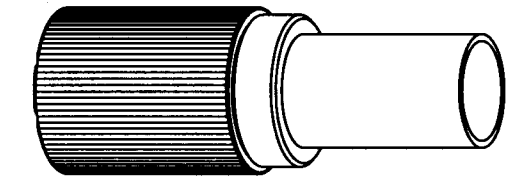


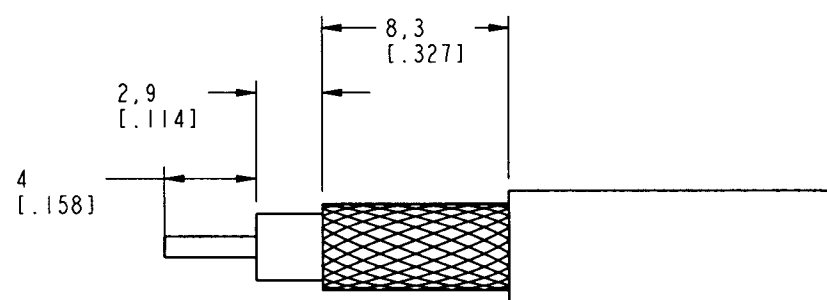
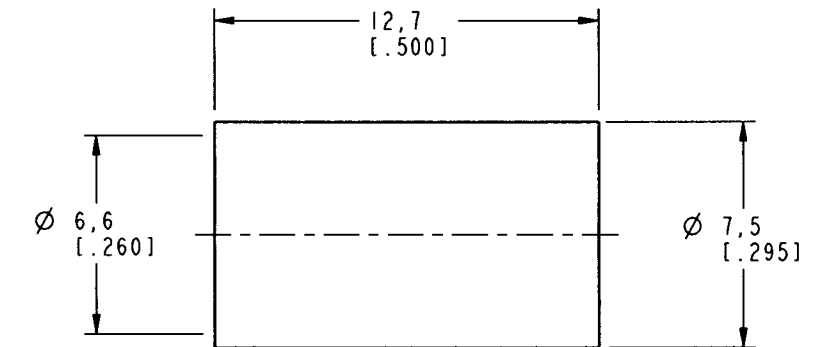
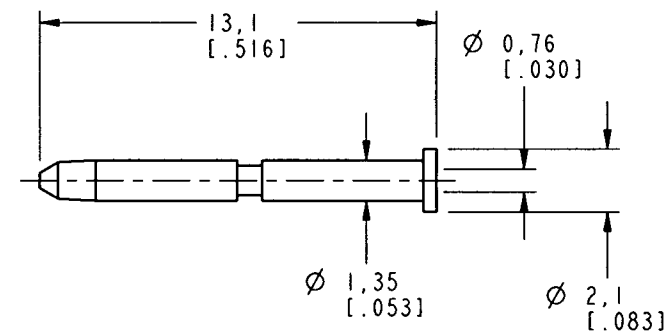
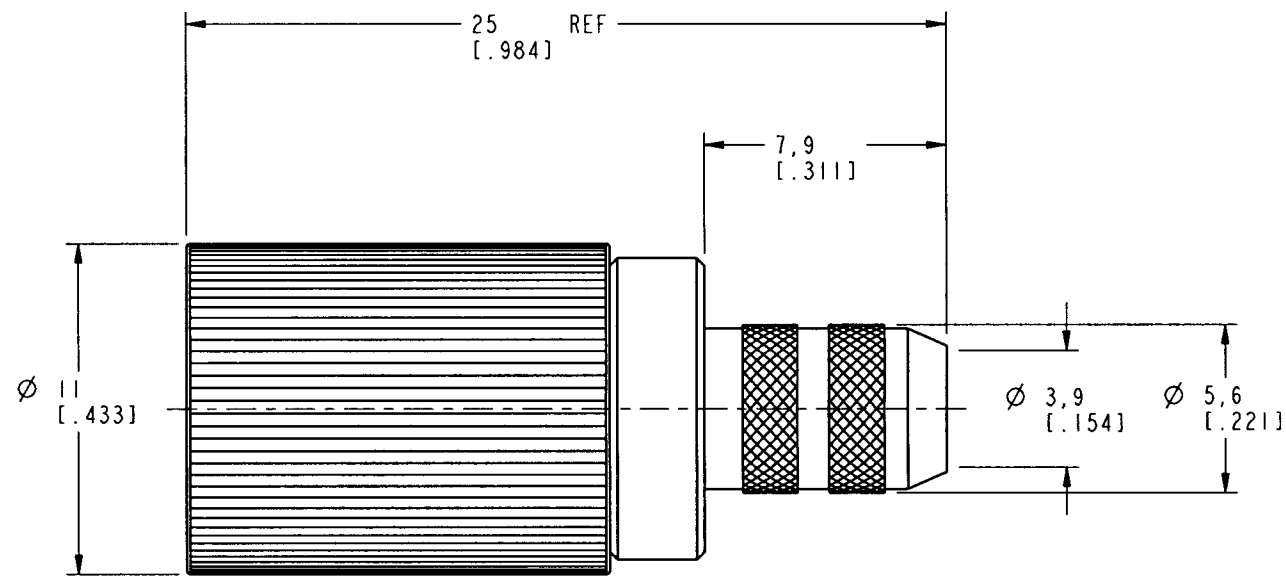
NOTES:

- MATERIALS OF CONSTRUCTION:  
SHELL, BODY & FERRULE = BRASS, NICKEL PLATED  
OUTER CONTACT = PHOSPHOR BRONZE, GOLD PLATED  
CONTACT PIN = BRASS, GOLD PLATED  
INSULATOR = TEFLON PER MIL-P-19468
- CRIMPED FERRULE = HEX CRIMP SIZE .255  
CRIMPED CONTACT PIN = SQUARE CRIMP SIZE .043

156-112-RG59		REVISIONS			
DRAWING NO.	REV	DESCRIPTION	DATE	ECO	APPR
THIRD ANGLE PROJ.	A	RELEASE TO MFG.	5/17/00	43373	CPM



SCALE 2.000



RECOMMENDED CABLE STRIPPING DIMENSIONS  
SCALE 3.000

CUSTOMER OUTLINE DRAWING  
FOR REFERENCE ONLY

UNLESS OTHERWISE SPECIFIED, DIMENSIONS ARE IN INCHES AND TOLERANCES ARE: 0.5 - 6mm ±0.2mm 6 - 30mm ±0.4mm 30 - 120mm ±0.6mm	MATERIAL	DRAWN C. McGRATH	DATE 11-May-00	TITLE <b>1.6/5.6 CRIMP PLUG</b>		Amphenol Amphenol Corporation Communication and Network Products Division Danbury, CT U.S.A. 06810	
	REFERENCE EAR 967564-0 GEN# 156-112-RG59	ENGINEER T. AUBIN	DATE 11-May-00				
NOTICE - These drawings, specifications, or other data (1) are, and remain the property of Amphenol Corp. (2) must be returned upon request; and (3) are confidential and not to be disclosed to any person other than those to whom they are given by Amphenol Corp. The furnishing of these drawings, specifications, or other data by Amphenol Corp., or to any other person to anyone for any purpose is not to be regarded by implication or otherwise in any manner licensing, granting rights or permitting such holder or any other person to manufacture, use or sell any product, process or design, patented or otherwise, that may in any way be related to or disclosed by said drawings, specifications, or other data.		CAD FILE I:\1656\156-112-RG59	CODE ID 74868	DWG SIZE B	DRAWING NO. 156-112-RG59	SCALE: 4.0:1	SHEET 2 OF 2
						REV A	