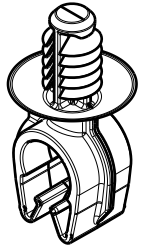
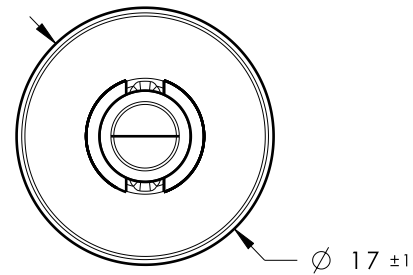


| Revision Level |                |      | Revision Record | Changed | Date    | Approved | Date    |
|----------------|----------------|------|-----------------|---------|---------|----------|---------|
| Drawing        | State          | Part |                 |         |         |          |         |
| 01.1           | Design Release | -    | SEE ECN# 013925 | TAT     | 6/23/17 | EJH      | 6/23/17 |

REFERENCE:

PERFORMANCE REQUIREMENTS AT DRY AS MOLDED:

1. FIR TREE PUSH IN FORCE: 45 NEWTONS (10 LBS) MAX IN THE APPLICABLE NOMINAL HOLE SIZE AND A PLATE THICKNESS OF 1.8mm.
2. FIR TREE PULL OUT FORCE: 155 NEWTONS (35 LBS) MIN IN THE APPLICABLE NOMINAL HOLE SIZE AND A PLATE THICKNESS OF 1.8mm.
3. SHEET METAL THICKNESS RANGE: 0.60mm - 5.5mm
4. APPLICABLE HOLE SIZE:  
A. 6.5mm +0.5/- 0.4
5. FITS USCAR MATING HOLE EWCAP -007 (NOT A TEST SPEC.)

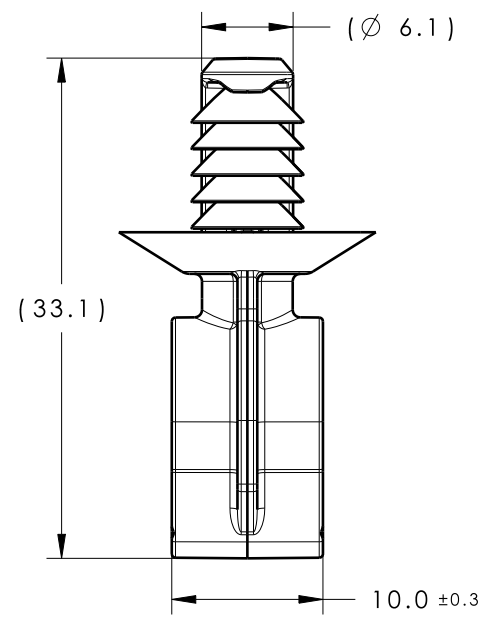
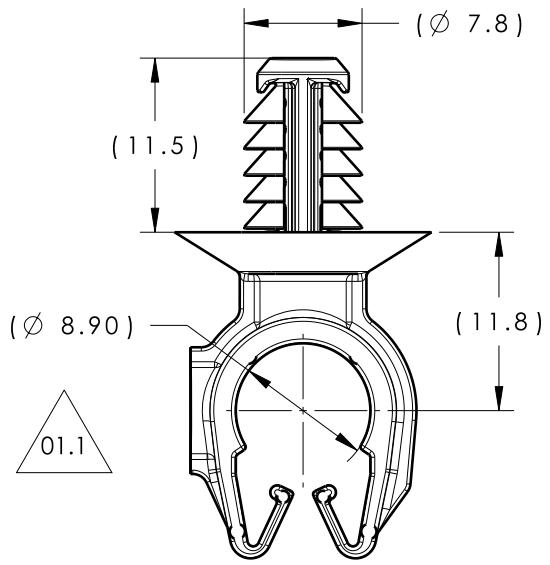
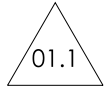


ISOMETRIC VIEW  
SCALE 1:1

NOTES:


1. MAXIMUM PERCENT REGRIND PERMISSIBLE: 25%
2. MAX ALLOWABLE FLASH OR MISMATCH TO BE 0.5mm.

\*PATENT PENDING 29/582,271



| DIAMETER RANGE |              |                |
|----------------|--------------|----------------|
| HARNESS        | HOSE         | HARD PIPE/TUBE |
| 8.5MM-10.0MM   | 8.0MM-10.0MM | 9.0MM-10.0MM   |

Material  
PA66  
COLOR: BLACK



Units millimeters  
Tolerance defined on each dimension

The copyright of this drawing is reserved by HellermannTyton. It is issued on condition that it is not reproduced, copied or disclosed to a third party, either wholly or in part, without the consent of HellermannTyton.

Drawn CRB 08/04/16  
Approved EJH 09/26/16

**HellermannTyton**

North America  
Email: corp@htamericas.com  
Web: www.hellermann.tyton.com

Article/Type-No MOC9FT6.5  
Title 9MM (3/8") MODULAR OMEGA CLIP WITH 6.5MM FIR TREE  
Drawing-No PROTOTYPE : Phase  
**16-0317-009-CSU**

Scale 2:1  
Project Number 16-0317  
Format AH  
Sheet 1/1