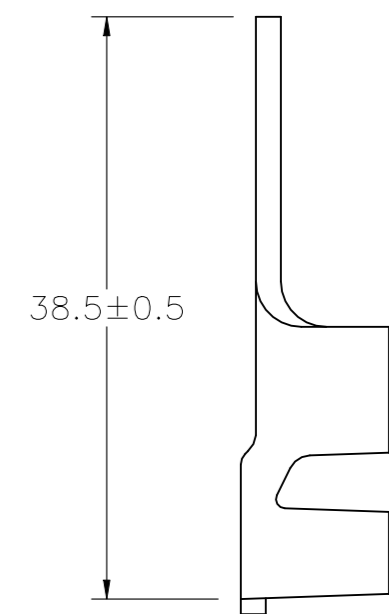
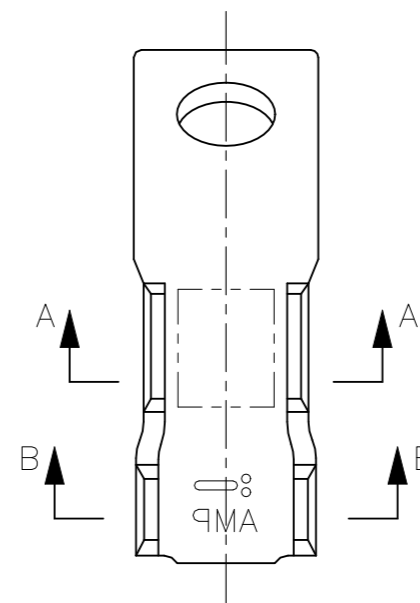
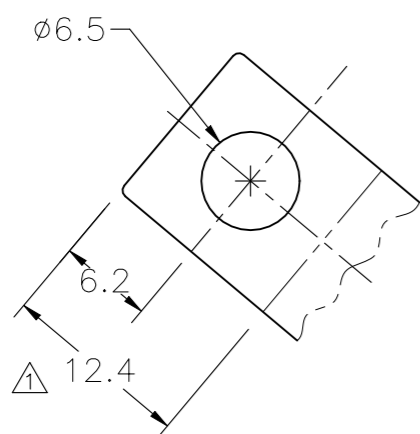
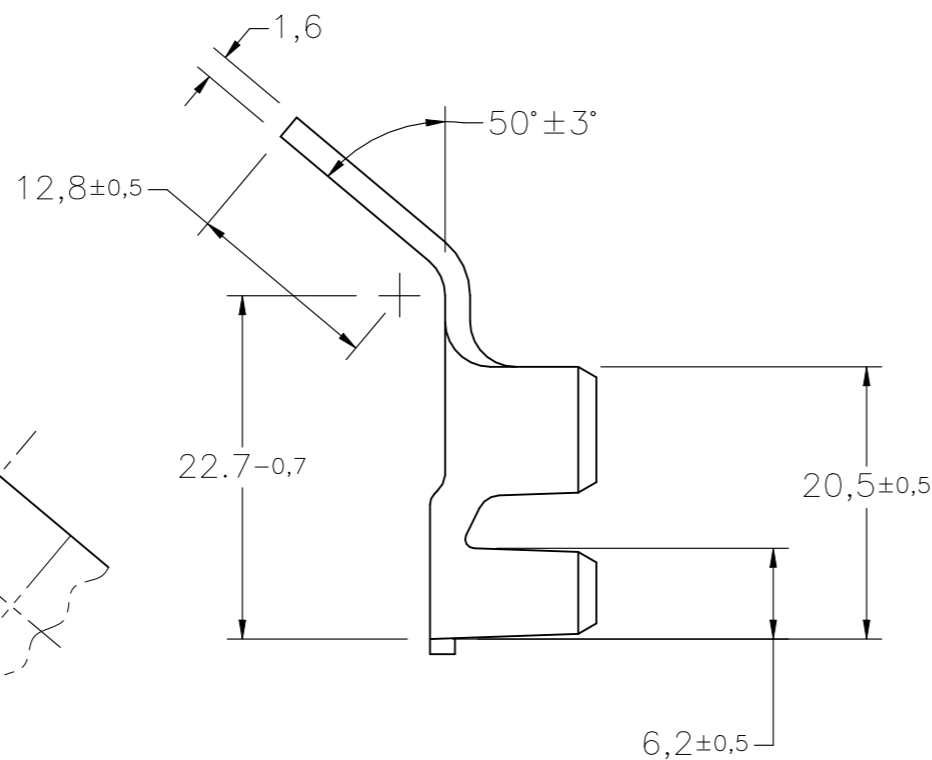
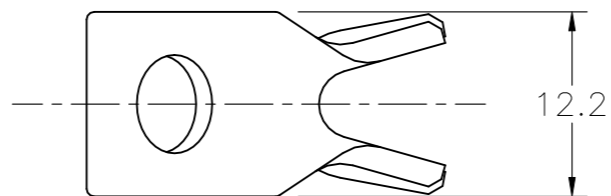


CAD
AutoCAD
DO NOT REVISE
EXCEPT BY CAD

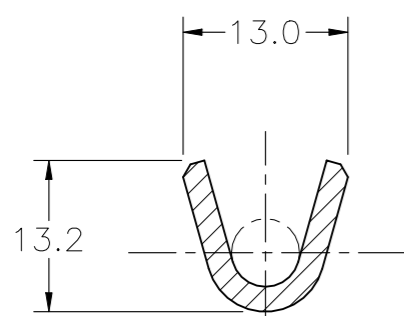
REVISIONS					
P	LTR	DESCRIPTION	DATE	DWN	APVD
	F1	REVISED PER ECN-22-166554	19OCT2022	AP	AB



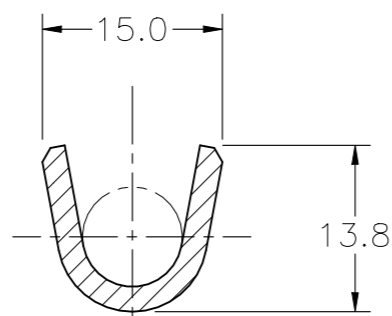
Ⓣ APENAS PARA -2
FOR -2 ONLY

Ⓣ - ÁREA PLANA MIN.

Ⓣ - FLAT AREA MIN.



SECTION A-A



SECTION B-B

OBSOLETE	ESTANHADO / TIN PLATED	LATÃO / BRASS	1380258-2
Ⓣ	ESTANHADO / TIN PLATED	LATÃO / BRASS	1380258-1
WIRE RANGE (mm ²)	16,0 - 20,0	INSUL. RANGE (Ø mm)	8,8 - 9,0
FINISH		MATERIAL	
PART NUMBER			

THIS DRAWING IS A CONTROLLED DOCUMENT.		DWN	M.R.BRIZ	03JUL01
		CHK	P.L.FARIA	03JUL01
		APVD	J.MARSON	03JUL01
		PRODUCT SPEC		
		APPLICATION SPEC		
		WEIGHT	-	
MATERIAL		SEE TABLE		
FINISH		SEE TABLE		

		TE Connectivity	
NAME			
TERMINAL RING TONGUE			
SIZE	CAGE CODE	DRAWING NO	RESTRICTED TO
A3	00779	C-1380258	-
CUSTOMER DRAWING		SCALE	SHEET
		2:1	1 OF 1
		REV	F1