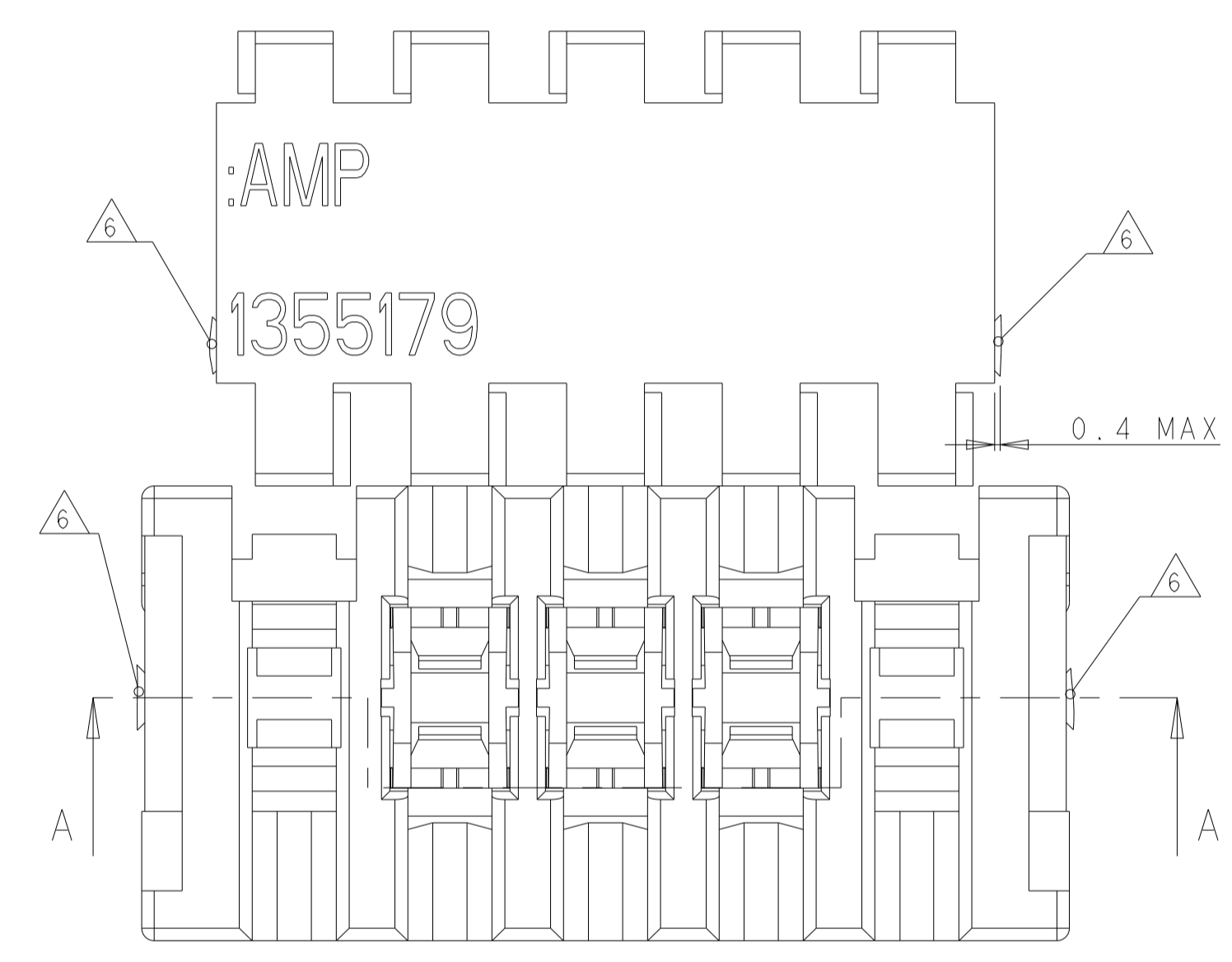
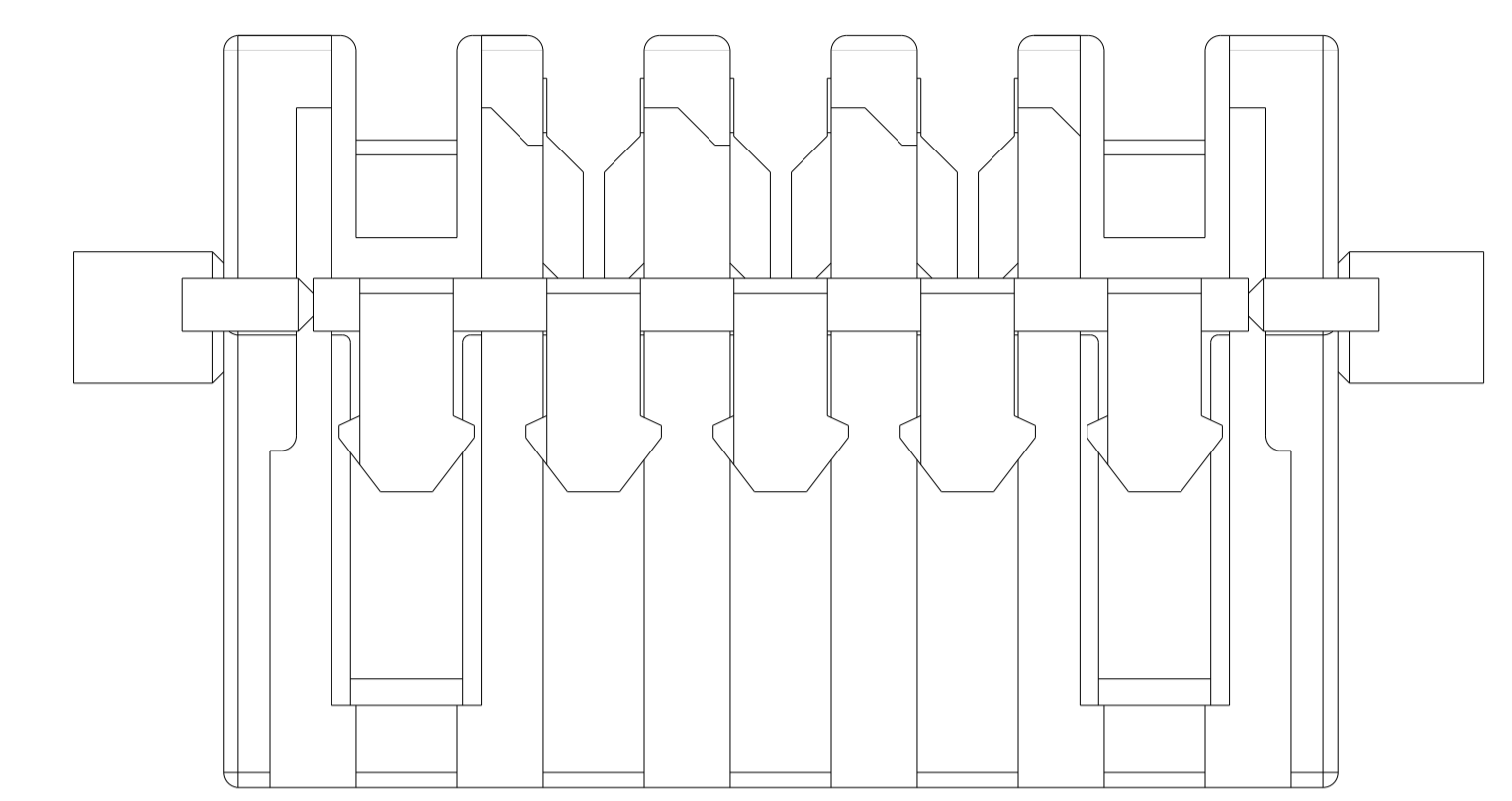
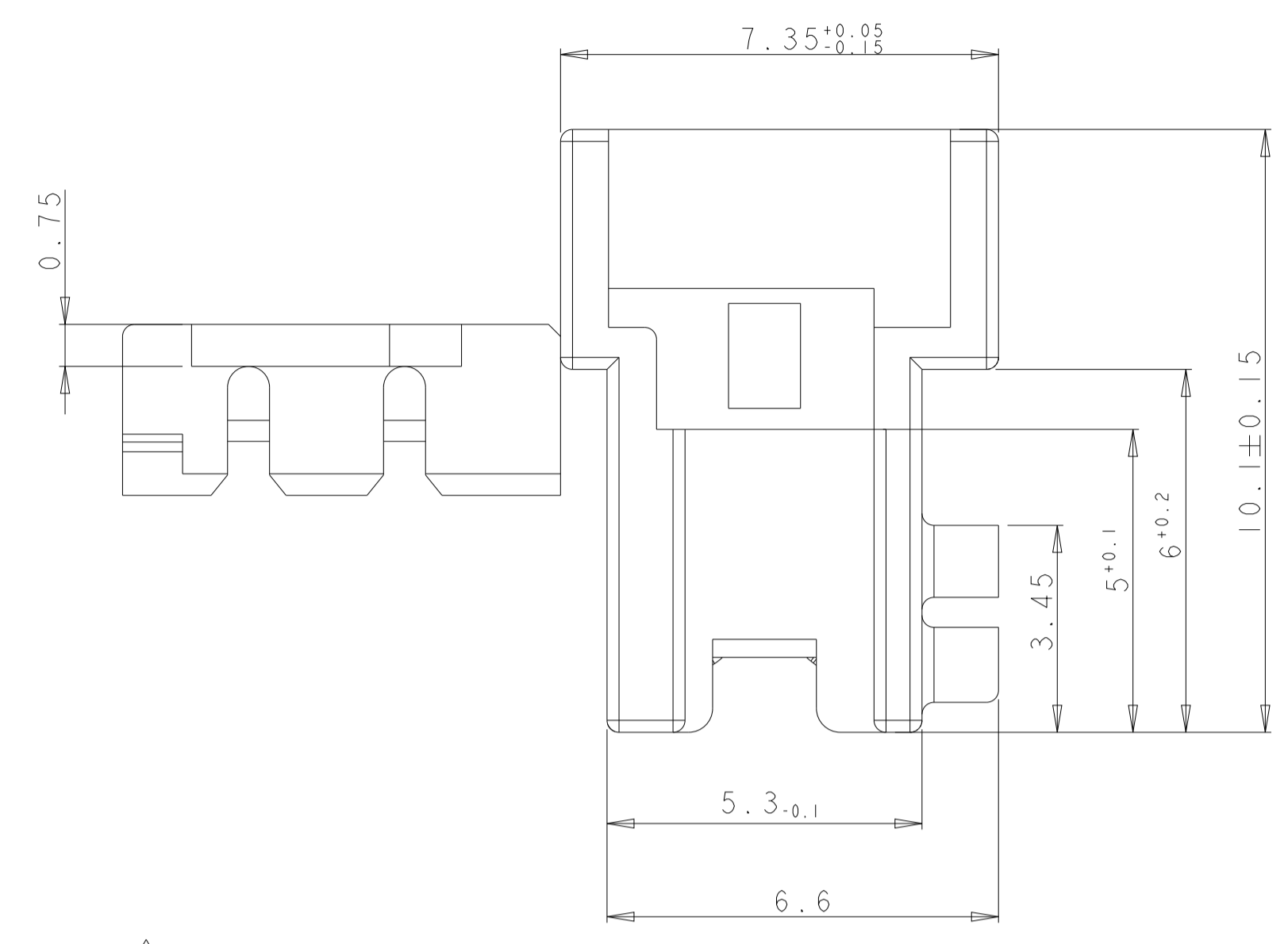
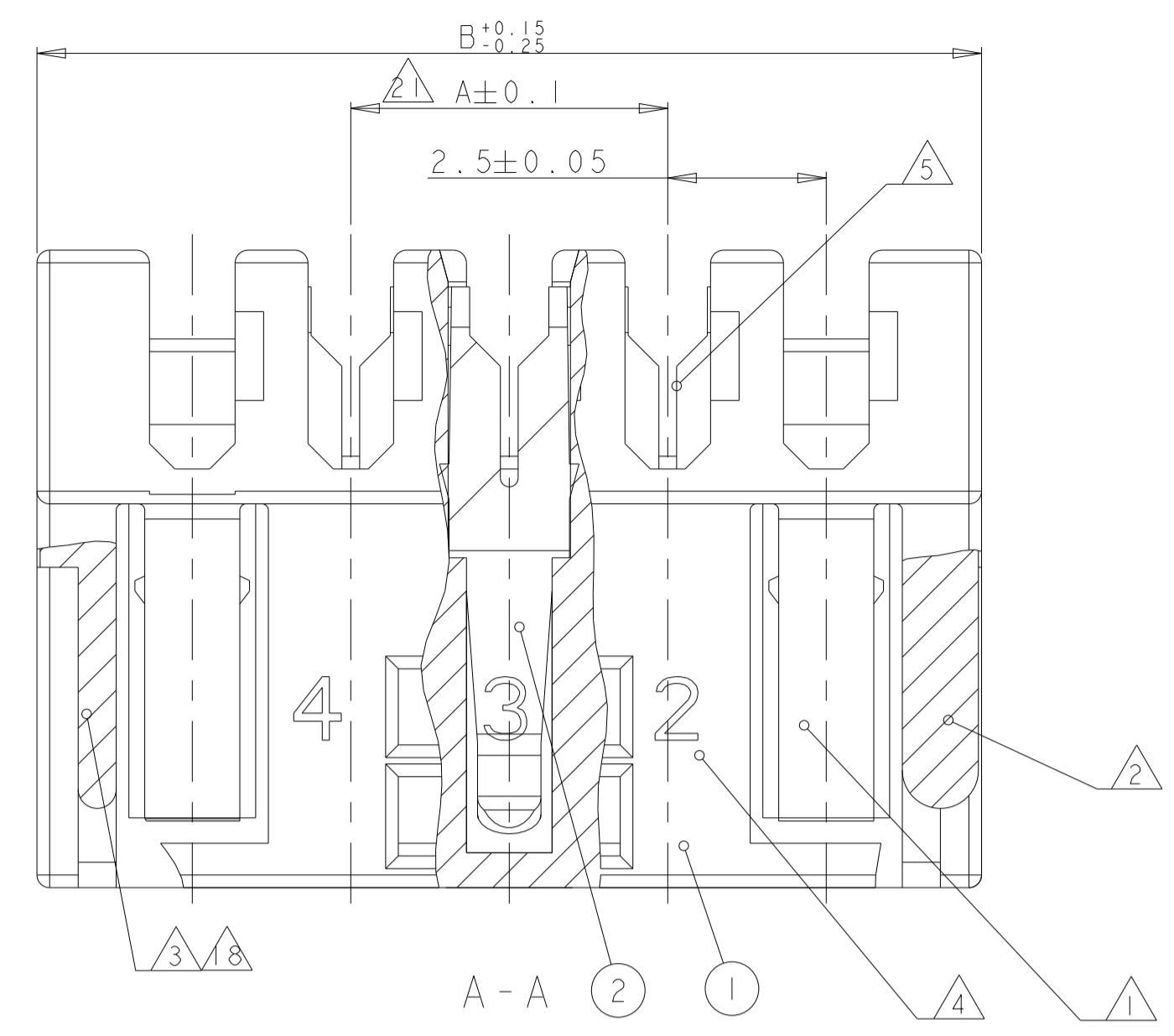
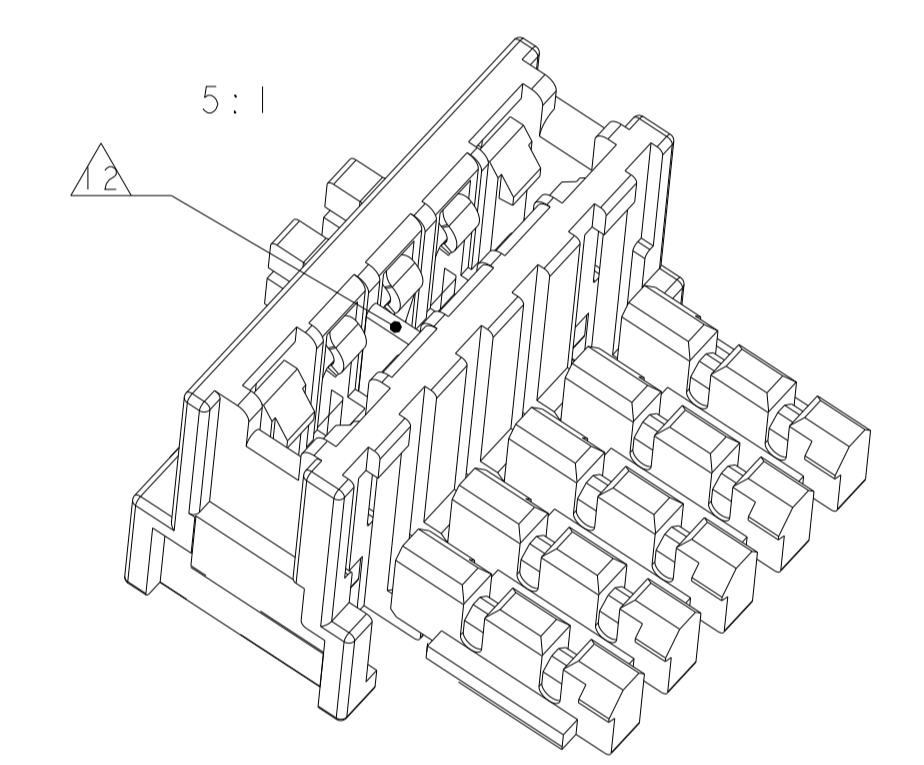


| REVISIONS | | | | |
|-----------|---------------|-------------|-----------|-------|
| P | LTN | DESCRIPTION | DATE | APVD |
| E | ECR-22-130044 | | 01MAR2022 | DC FL |
| E1 | ECR-22-134224 | | 04APR2022 | DC FL |
| E2 | ECR-22-142661 | | 22JUN2022 | DC FL |
| E3 | ECR-22-162225 | | 16JAN2023 | DC FL |

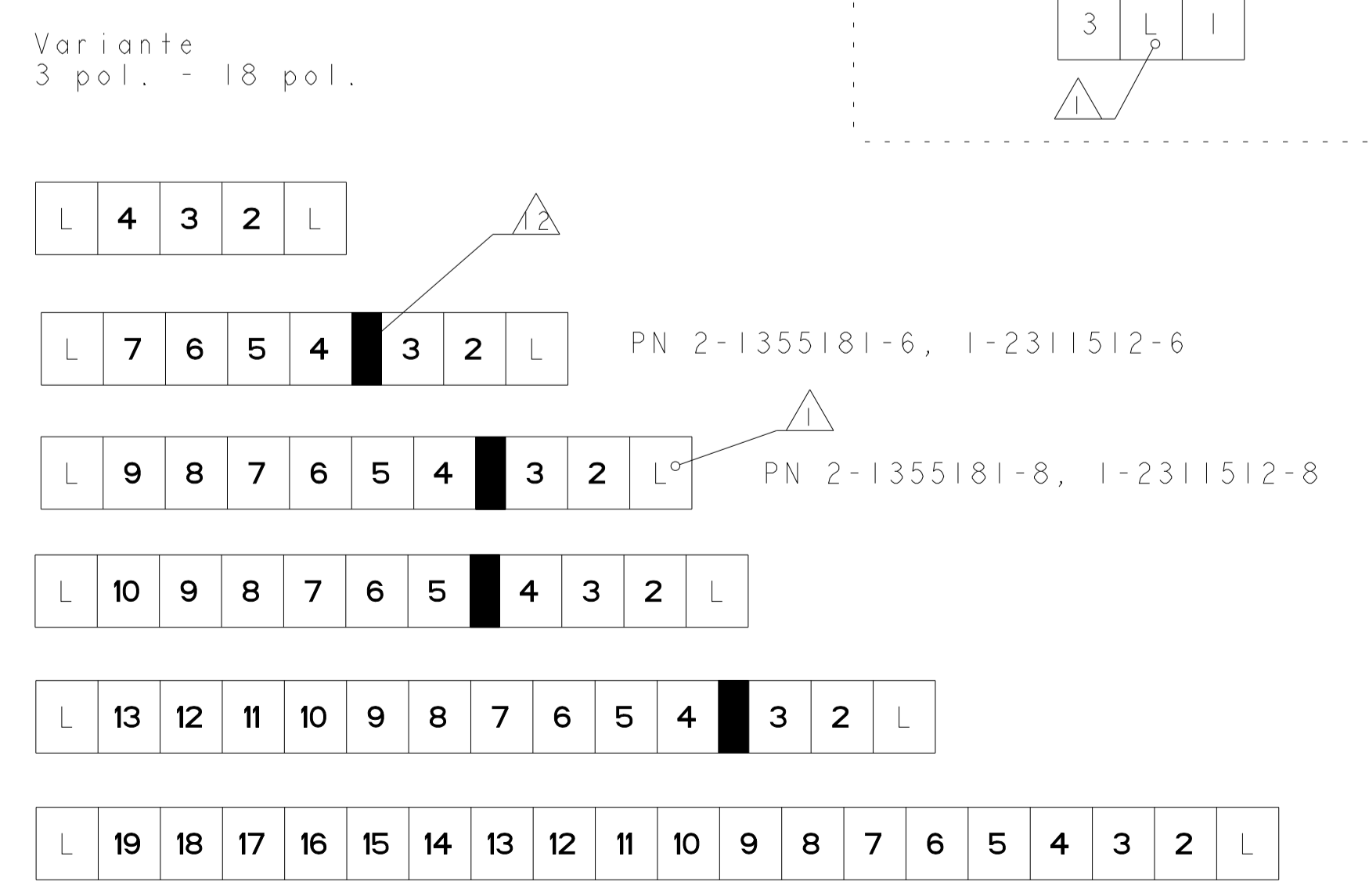


- △4 OBSOLETE
- △3 PART RELEASED WITHOUT EXTENSIVE TERMINATION TESTS
- △2 ALTERNATIVE RESIN PBT GF
- △1 DIMENSION A BETWEEN FIRST AND LAST CONTACT
- △0 PA GF, UL94-V0 & GWEPT 750 NO-FLAME
- △9 PBT GF
- △8 ONLY FOR 3-1355181-2 & 2311512-2, REMOVED THE POLARIZATION RIB ON THE LAST CAVITY
- △7 PRELIMINARY - NOT RELEASED FOR PRODUCTION
- △6 OBSOLETE PARTS: OBSOLETE CIS STREAMLINING PER D.RENAUD/D.SINISI
- △5 DIMENSION OF THE PADS ON BOTH SIDES OF THE SLOT (NOTE 13), MIRRORED Leiterbahnabmessung beidseitig vom Schlitz (Note 13), spiegelbildlich
- 14 DIMENSION IN BRACKET ONLY USED WITH AMP DUOPLUG 2.5 mm FEMALE CONNECTOR. Masse in Klammer nur geeignet fuer AMP DUOPLUG 2.5 mm Federleisten.
- △3 SLOT FOR ADDITIONAL KEYING RIB Schlitz fuer zusaetzliche Kodierrippe
- △2 ADDITIONAL KEYING RIB BETWEEN CAVITY NO. Zusaetzliche Kodierrippe zwischen Kammer Nr.
- △1 REDUCTION OF PAD WIDTH OF ALL PADS AS SHOWN IS POSSIBLE. Verjuengung aller Leiterbahnen wie dargestellt moeglich.
- △0 INCLUSIVE COPPER CLADDING: Inclusive Kupferkaschierung:
- △9 PCB PREFERABLY CHAMFERED. Leiterplatte vorzugsweise angefast.
- △8 SLOT FOR KEYING RIB. Schlitz fuer Kodierrippe.
- △7 SLOT FOR POLARIZATION RIB. Schlitz fuer Polarisierungsrippe.
- △6 CUTTING AREA FROM PRODUCING PROCESS. Schnittbereich durch Herstellungsprozess.
- △5 SLOT ACCEPT STRANDED WIRE 7x0.25mm=0.35mm². SEE APPLICATION SPECIFICATION 114-18049. Schlitz geeignet fuer Leitungen 7x0.25mm=0.35mm². Siehe Verarbeitungsanweisung 114-18049.
- △4 CAVITY NO. Kammer Nr.
- △3 POLARIZATION RIB Polarisierungsrippe
- △2 KEYING RIB Kodierrippe
- △1 LOCKING LATCH BEFORE FIRST AND AFTER LAST CAVITY (3-18 POSN.) AND ON MIDDLE CAVITY (2POSN. ONLY) Rasthaken vor 1. Kammer und nach letzter Kammer(3-18 polig) und bei mittlerer Kammer (nur 2 polig)



LOCKING AND KEYING PLAN
Rasthaken und Kodierschema

SPECIAL VERSION 2 POSN.
Sondervariante 2 pol.



| POS. Polzahl | DIM A Mass A | DIM B Mass B | KEYING Kodierung | PART NUMBER | PART NUMBER | PART NUMBER |
|--------------|--------------|--------------|------------------|-------------|-------------|-------------|
| OBSOLETE | 18 | 42.5 | 52.4 | - | 1-1355182-8 | - |
| OBSOLETE | 17 | 40 | 49.9 | - | 1-1355182-7 | - |
| OBSOLETE | 16 | 37.5 | 47.4 | - | 1-1355182-6 | - |
| OBSOLETE | 15 | 35 | 44.9 | - | 1-1355182-5 | - |
| OBSOLETE | 14 | 32.5 | 42.4 | - | 1-1355182-4 | - |
| OBSOLETE | 13 | 30 | 39.9 | - | 1-1355182-3 | - |
| OBSOLETE | 12 | 27.5 | 37.4 | 3+4 | 2-1355182-2 | - |
| OBSOLETE | 11 | 25 | 34.9 | - | 1-1355182-1 | - |
| OBSOLETE | 10 | 22.5 | 32.4 | - | 1-1355181-0 | 1-2311512-0 |
| OBSOLETE | 9 | 20 | 29.9 | 4+5 | 2-1355181-9 | - |
| | | | | 1-1355181-9 | 2311512-9 | 1-2403116-9 |
| | | | | 2-1355181-8 | 1-2311512-8 | 2-2403116-8 |
| | | | | 1-1355181-8 | 2311512-8 | 1-2403116-8 |
| | | | | 1-1355181-7 | 2311512-7 | 1-2403116-7 |
| | | | | 2-1355181-6 | 1-2311512-6 | 2-2403116-6 |
| | | | | 1-1355181-6 | 2311512-6 | 1-2403116-6 |
| | | | | 1-1355181-5 | 2311512-5 | 1-2403116-5 |
| | | | | 1-1355181-4 | 2311512-4 | 1-2403116-4 |
| | | | | 1-1355181-3 | 2311512-3 | 1-2403116-3 |
| | | | | 3-1355181-2 | 2311512-2 | 3-2403116-2 |
| | | | | 1-1355181-2 | 1-2311512-2 | 1-2403116-2 |

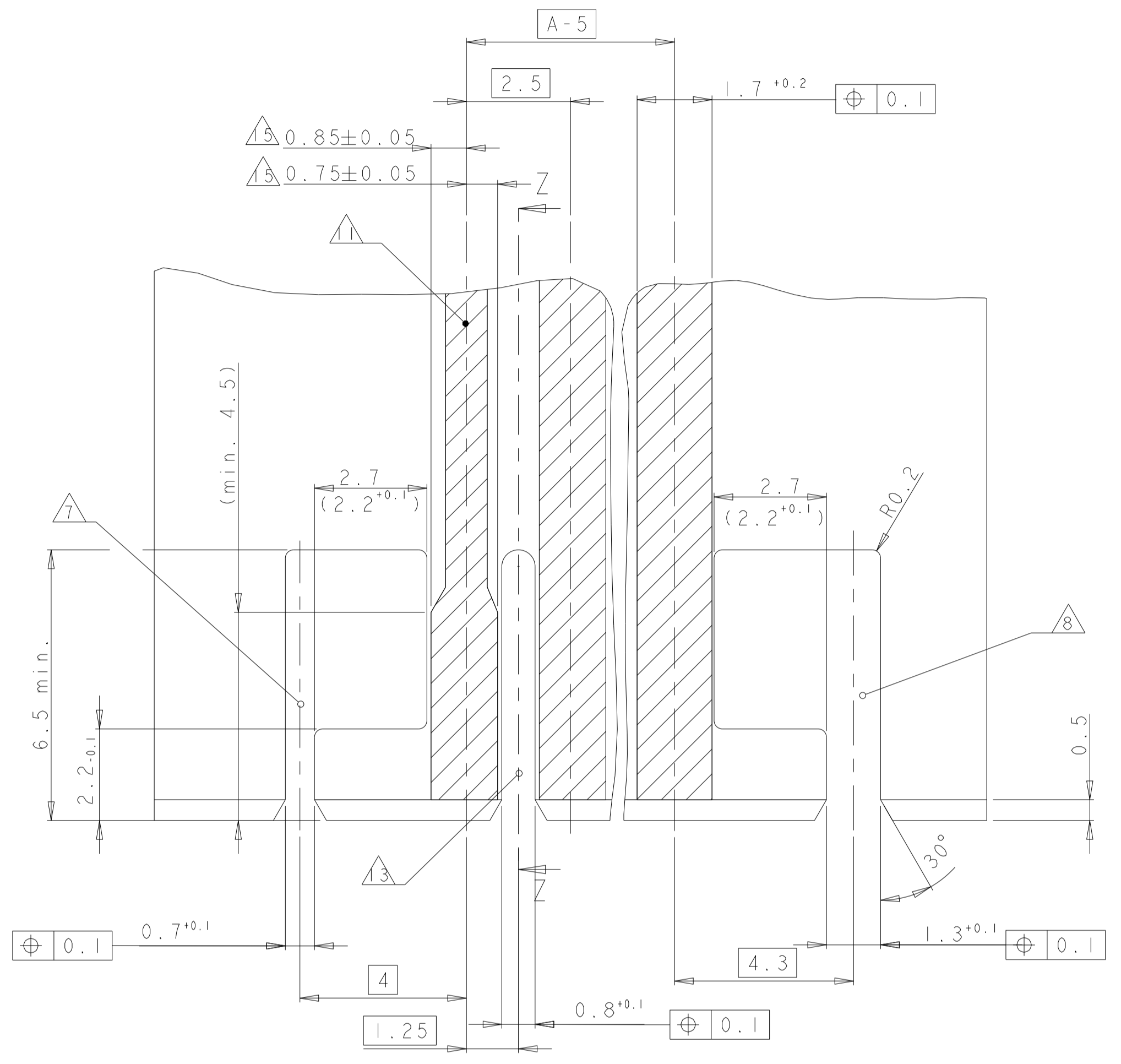
| | | | | |
|----------------|------|------------------------------|----------|-----------------------------------|
| SEE TABLE | 2 | CONTACT/Kontakt | CuSn | TINNED/vorverzinnt |
| Siehe Tabelle | 1 | HOUSING/Federleistengehaeuse | PBT | NATUR |
| PN Bestell-Nr. | POS. | NAME | MATERIAL | FINISH/Oberflaeche COLOR/Farbe |

| | | |
|--|------|------------------|
| THIS DRAWING IS A CONTROLLED DOCUMENT. | | DATE: 16MRZ99 |
| DIMENSIONS: mm | | DRW: Heber |
| TOLERANCES UNLESS OTHERWISE SPECIFIED: | | CHK: Schnaubelt |
| 0 PLC | ±0.2 | APVD: Schnaubelt |
| 1 PLC | ±0.2 | |
| 2 PLC | ±0.2 | |
| 3 PLC | ±0.2 | |
| 4 PLC | ±0.2 | |
| ANGLES | ±2° | |

| | | |
|------------------|------------|---|
| PRODUCT SPEC | NAME | AMP DUOPLUG 2,5 TM WITH PCB LOCKING DEVICE DGB 11 |
| APPLICATION SPEC | SIZE | 114-18049-1 |
| WEIGHT | CAGE CODE | 114-18049-1 |
| CUSTOMER DRAWING | DRAWING NO | A100779 |
| SCALE | SHEET | 1 OF 2 |
| REV | REV | E3 |

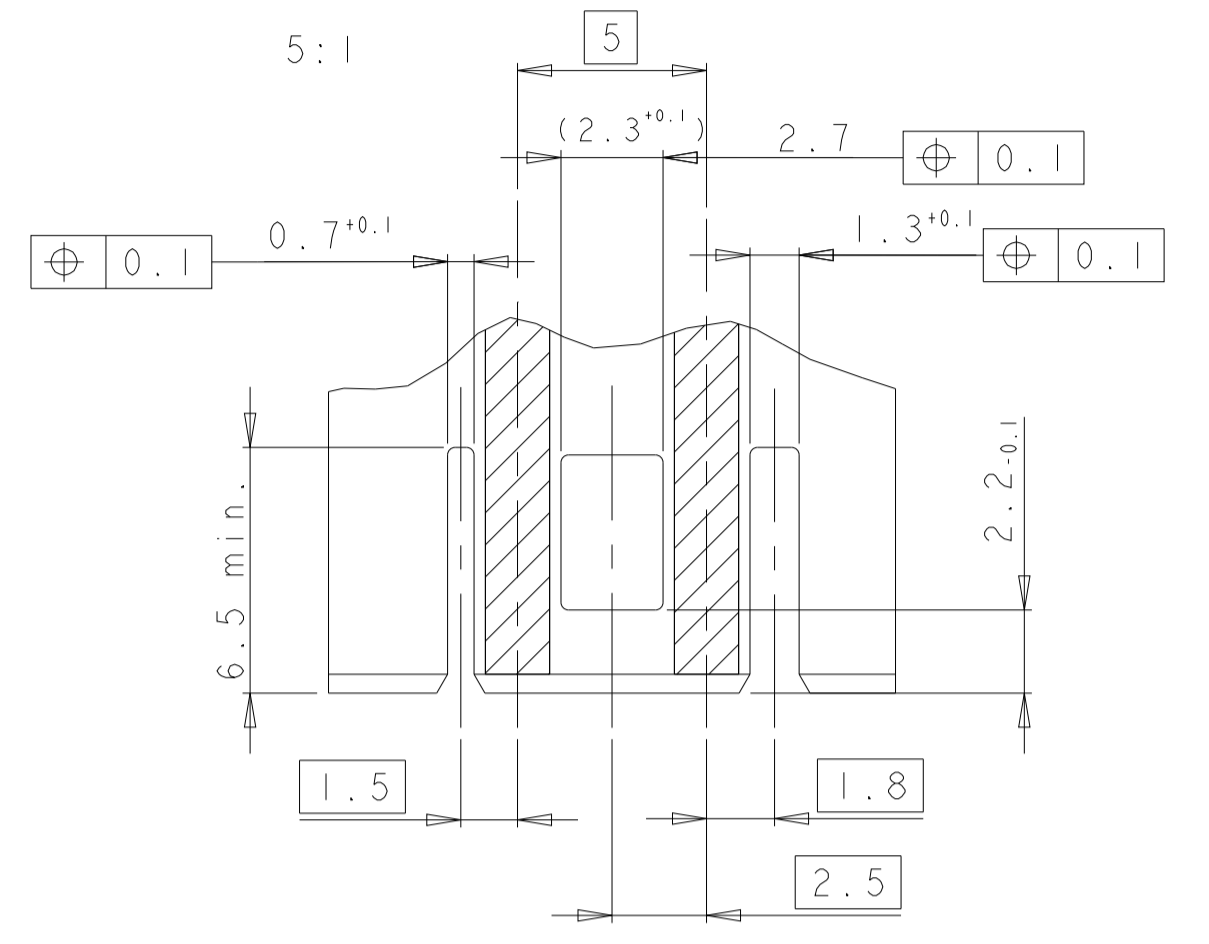
| REVISIONS | | | | |
|-----------|------|-------------|------|-------|
| P. | LTN. | DESCRIPTION | DATE | APVD. |
| - | - | SEE SHEET 1 | - | - |
| | | | | |
| | | | | |

PCB LAYOUT
 Leiterplattenanschluss

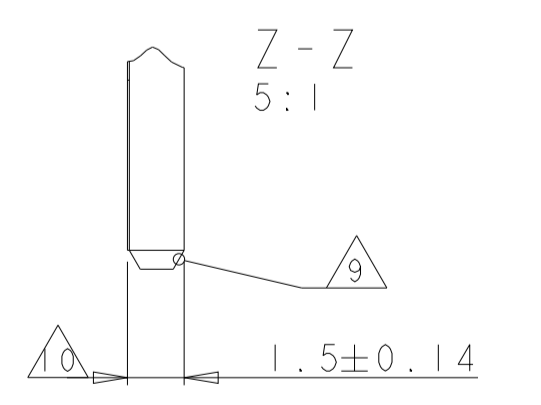
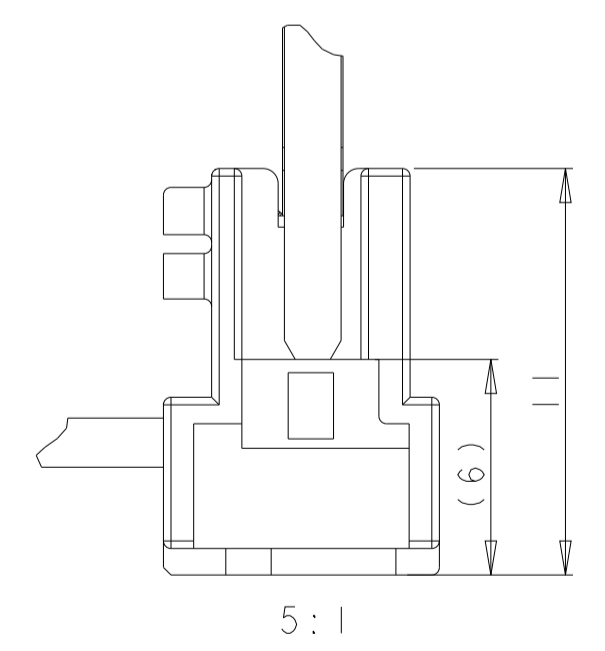
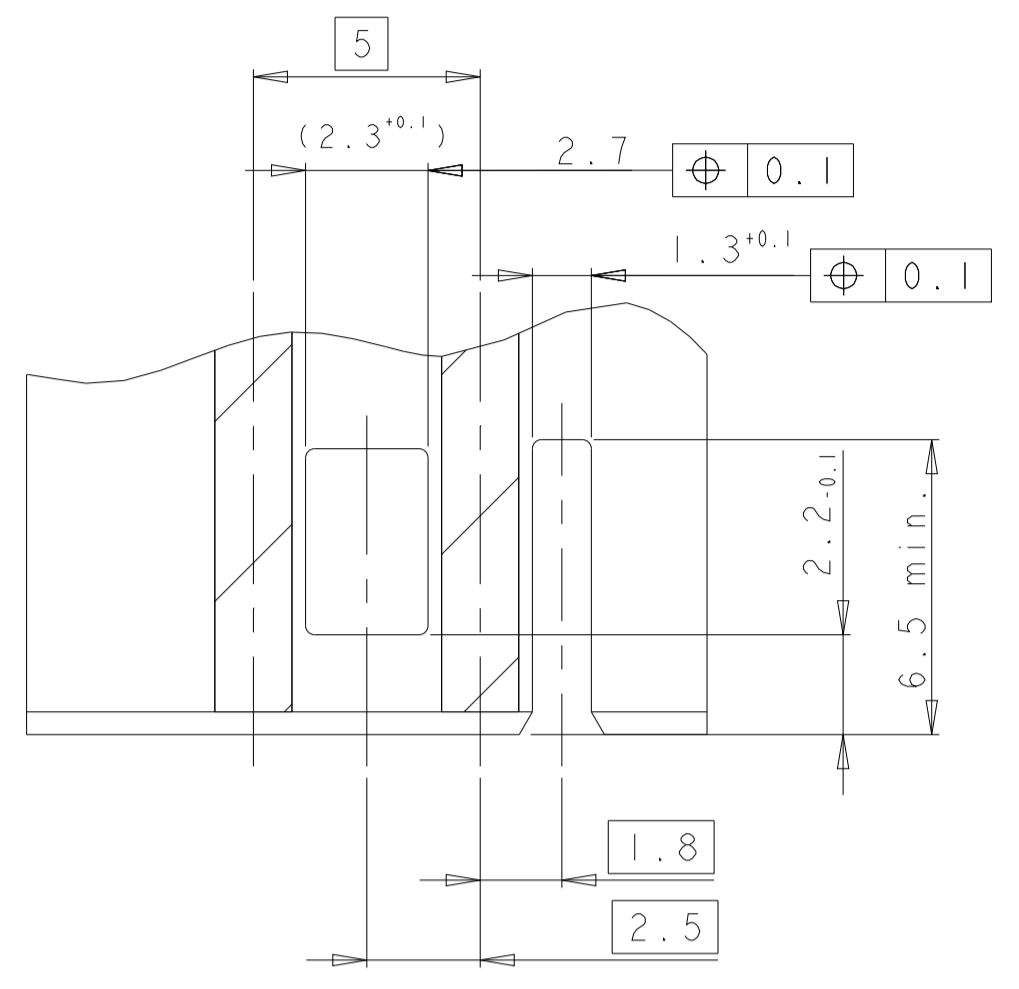


TOLERANCES UNLESS OTHERWISE SPEC. ±0.1 mm
 Freimasstoleranz ±0.1 mm

SPECIAL VERSION 2 POSN.
 Sondervariante 2 pol.



3-1355181-2, 2311512-2



| | | | |
|--|--|--------------------------------|--|
| THIS DRAWING IS A CONTROLLED DOCUMENT. | | DWN: Weber 16MRZ99 | NAME: AMP DUOPLUG 2,5 WITH PCB LOCKING DEVICE DGB 11 |
| DIMENSIONS: mm | | CHK: Schnaubelt 06JUL99 | PRODUCT SPEC: - |
| TOLERANCES UNLESS OTHERWISE SPECIFIED: | | APVD: - | APPLICATION SPEC: - |
| 0 PLC ±0.2 | | SIZE: 114-18049-1 | RESTRICTED TO: - |
| 1 PLC ±0.2 | | WEIGHT: - | SCALE: 10:1 |
| 2 PLC ±0.2 | | MATERIAL: SEE TABLE | SHEET: 2 OF 2 |
| 3 PLC ±0.2 | | FINISH: SEE TABLE | REV: E3 |
| 4 PLC ±0.2 | | CUSTOMER DRAWING | |
| ANGLES ±0.2 | | | |
| FINISH ±2° | | | |
| MATERIAL: SEE TABLE | | | |
| FINISH: SEE TABLE | | | |