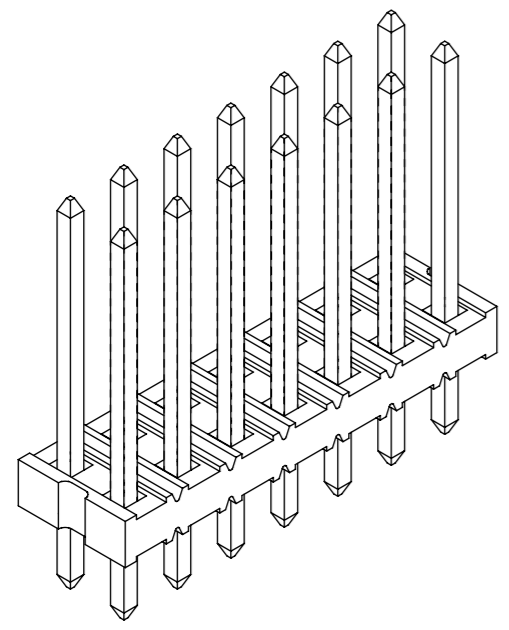
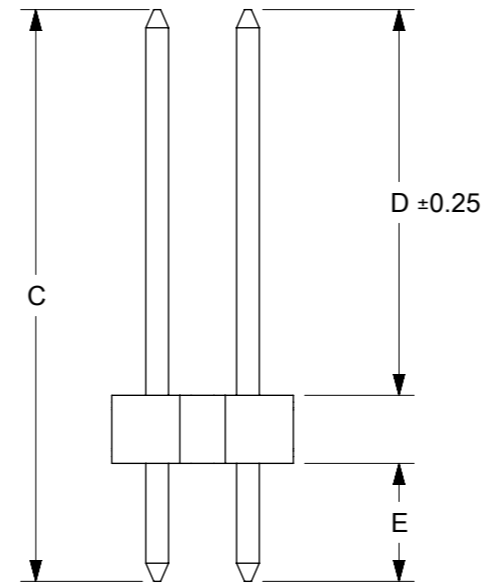
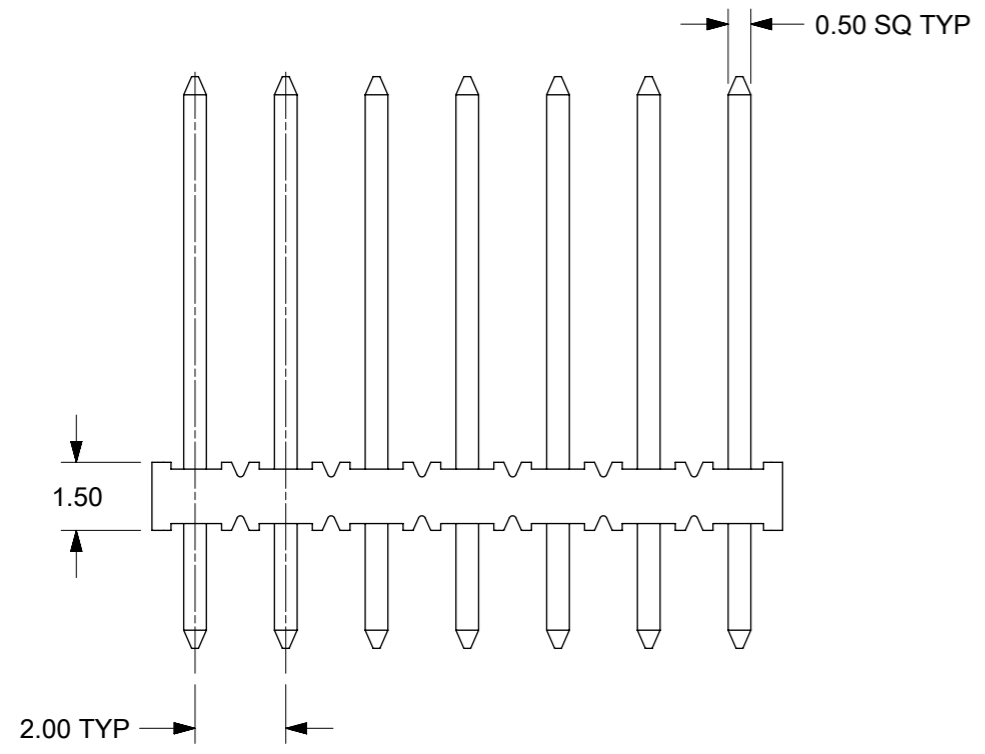


RECOMMENDED PCB HOLE LAYOUT



NOTES:

1. MATERIAL:
 - HOUSING: 30% G.F. NYLON 46, UL94V-0,
 - COLOR: BLACK
 - TERMINAL: COPPER ALLOY 0.50mm SQ
2. PLATING TYPE:
 - (1) GOLD FLASH OVER
50 MICRO INCHES MIN. NICKEL OVERALL.
 - (2) 1 MICRO INCHES MIN. GOLD PLATE ON CONTACT AND
75 MICRO INCHES MIN. TIN ON SOLDERTAIL OVER
50 MICRO INCHES MIN. NICKEL OVERALL.
 - (3) 10 MICRO INCHES MIN. GOLD PLATE ON CONTACT AND
75 MICRO INCHES MIN. TIN ON SOLDERTAIL OVER
50 MICRO INCHES MIN. NICKEL OVERALL.
 - (4) 15 MICRO INCHES MIN. GOLD PLATE ON CONTACT AND
75 MICRO INCHES MIN. TIN ON SOLDERTAIL OVER
50 MICRO INCHES MIN. NICKEL OVERALL.
 - (5) 30 MICRO INCHES MIN. GOLD PLATE ON CONTACT AND
75 MICRO INCHES MIN. TIN ON SOLDERTAIL OVER
50 MICRO INCHES MIN. NICKEL OVERALL.
 - (6) 100 MICRO INCHES MIN. TIN IN SELECTED AREA OVER
50 MICRO INCHES MIN. NICKEL OVERALL.
3. PIN PUSHOUT FORCE: 1KG MIN IN EITHER DIRECTION
4. THE ABOVE 14 CKT IS FOR ILLUSTRATION PURPOSE ONLY.
5. FOR PACKAGING OPTION PLEASE REFER TO THE TABLE.
6. CAP TO BE PLACED AT APPROXIMATELY CENTRAL OF THE DIM. B

THIS DRAWING CONTAINS INFORMATION THAT IS PROPRIETARY TO MOLEX ELECTRONIC TECHNOLOGIES, LLC AND SHOULD NOT BE USED WITHOUT WRITTEN PERMISSION												
DIMENSION UNITS		SCALE		CURRENT REV DESC: BRIGHT TIN PHASE OUT				molex				
mm		NTS										
GENERAL TOLERANCES (UNLESS SPECIFIED)				EC NO: 679909 DRWN: AKUMAR19 2021/06/15 CHK'D: MRAMAKRISHNA 2021/10/11 APPR: MRAMAKRISHNA 2021/10/11 INITIAL REVISION: DRWN: KCHO 2004/11/05 APPR: SLOW 2004/11/26				SALES DRAWING 2.00MM DUAL ROW HEADER SINGLE WAFER T/H				
								PRODUCT CUSTOMER DRAWING				
								DOCUMENT NUMBER		DOC TYPE	DOC PART	REVISION
								SD-87758-030		PSD	001	B2
								MATERIAL NUMBER	CUSTOMER			SHEET NUMBER
DRAFT WHERE APPLICABLE MUST REMAIN WITHIN DIMENSIONS		THIRD ANGLE PROJECTION		DRAWING	SERIES	MATERIAL NUMBER	CUSTOMER		SHEET NUMBER			
				A3-SIZE	87758	SEE TABLE	GENERAL MARKET		1 OF 4			

DOCUMENT STATUS	P1	RELEASE DATE	2021/10/11	11:53:16
-----------------	----	--------------	------------	----------

PACKAGING OPRTION PART NO.			CKT SIZE	VOID POSITION	PLATING TYPE	CAP	PEG	DIMENSION				
TRAY	TUBE WITHOUT CAP	TUBE WITH CAP						A	B	C	D	E
87758-0201	----	----	2	----	1	N	N	1.90	----	12.60	8.50	2.60
87758-0202	----	----	2	----	2	N	N	1.90	----	12.60	8.50	2.60
87758-0203	----	----	2	----	3	N	N	1.90	----	12.60	8.50	2.60
87758-0204	----	----	2	----	4	N	N	1.90	----	12.60	8.50	2.60
87758-0205	----	----	2	----	5	N	N	1.90	----	12.60	8.50	2.60
87758-0206	----	----	2	----	6	N	N	1.90	----	12.60	8.50	2.60
87758-0401	----	----	4	----	1	N	N	3.90	2.00	12.60	8.50	2.60
87758-0402	----	----	4	----	2	N	N	3.90	2.00	12.60	8.50	2.60
87758-0403	----	----	4	----	3	N	N	3.90	2.00	12.60	8.50	2.60
87758-0404	----	----	4	----	4	N	N	3.90	2.00	12.60	8.50	2.60
87758-0405	----	----	4	----	5	N	N	3.90	2.00	12.60	8.50	2.60
87758-0406	----	----	4	----	6	N	N	3.90	2.00	12.60	8.50	2.60
87758-0420	----	---	4	----	5	N	N	3.90	2.00	15.50	11.50	2.50
87758-0601	----	----	6	----	1	N	N	5.90	4.00	12.60	8.50	2.60
87758-0602	----	----	6	----	2	N	N	5.90	4.00	12.60	8.50	2.60
87758-0603	----	----	6	----	3	N	N	5.90	4.00	12.60	8.50	2.60
87758-0604	----	----	6	----	4	N	N	5.90	4.00	12.60	8.50	2.60
87758-0605	----	----	6	----	5	N	N	5.90	4.00	12.60	8.50	2.60
87758-0606	----	----	6	----	6	N	N	5.90	4.00	12.60	8.50	2.60
87758-0620	----	----	6	----	5	N	N	5.90	4.00	15.50	11.50	2.50
87758-0647	----	----	6	----	4	N	N	5.90	4.00	11.45	6.85	3.10

PACKAGING OPRTION PART NO.			CKT SIZE	VOID POSITION	PLATING TYPE	CAP	PEG	DIMENSION				
TRAY	TUBE WITHOUT CAP	TUBE WITH CAP						A	B	D	C	E
87758-0801	----	----	8	----	1	N	N	7.90	6.00	12.60	8.50	2.60
87758-0802	----	----	8	----	2	N	N	7.90	6.00	12.60	8.50	2.60
87758-0803	----	----	8	----	3	N	N	7.90	6.00	12.60	8.50	2.60
87758-0804	----	----	8	----	4	N	N	7.90	6.00	12.60	8.50	2.60
87758-0805	----	----	8	----	5	N	N	7.90	6.00	12.60	8.50	2.60
87758-0806	----	----	8	----	6	N	N	7.90	6.00	12.60	8.50	2.60
87758-0846	----	----	8	----	4	N	N	7.90	6.00	6.38	10.50	2.60
87758-0008	----	----	8	----	4	N	N	7.90	6.00	10.00	14.10	2.60
87758-0808	----	----	8	----	5	N	N	7.90	6.00	9.70	4.00	4.20
87758-0820	----	----	8	----	1	N	N	7.90	6.00	11.50	5.00	5.00
87758-1001	----	----	10	----	1	N	N	9.90	8.00	12.60	8.50	2.60
87758-1002	----	----	10	----	2	N	N	9.90	8.00	12.60	8.50	2.60
87758-1003	----	----	10	----	3	N	N	9.90	8.00	12.60	8.50	2.60
87758-1004	----	----	10	----	4	N	N	9.90	8.00	12.60	8.50	2.60
87758-1005	----	----	10	----	5	N	N	9.90	8.00	12.60	8.50	2.60
87758-1006	----	----	10	----	6	N	N	9.90	8.00	12.60	8.50	2.60
87758-1007	----	----	10	10	4	N	N	9.90	8.00	8.10	4.00	2.60
87758-1008	----	----	10	10	5	N	N	9.90	8.00	8.70	4.00	3.20
87758-1012	----	----	10	----	4	N	N	9.90	8.00	11.75	7.65	2.60
87758-1020	B1	----	10	2	1	N	N	9.90	8.00	4.00	9.50	4.00
87758-1201	----	----	12	----	1	N	N	11.90	10.00	12.60	8.50	2.60
87758-1202	----	----	12	----	2	N	N	11.90	10.00	12.60	8.50	2.60
87758-1203	----	----	12	----	3	N	N	11.90	10.00	12.60	8.50	2.60
87758-1204	----	----	12	----	4	N	N	11.90	10.00	12.60	8.50	2.60
87758-1205	----	----	12	----	5	N	N	11.90	10.00	12.60	8.50	2.60
87758-1206	----	----	12	----	6	N	N	11.90	10.00	12.60	8.50	2.60
87758-1220	----	----	12	----	5	N	N	11.90	10.00	15.50	11.50	2.50

THIS DRAWING CONTAINS INFORMATION THAT IS PROPRIETARY TO MOLEX ELECTRONIC TECHNOLOGIES, LLC AND SHOULD NOT BE USED WITHOUT WRITTEN PERMISSION

DIMENSION UNITS	SCALE	CURRENT REV DESC: BRIGHT TIN PHASE OUT		molex		
mm	NTS					
GENERAL TOLERANCES (UNLESS SPECIFIED)				SALES DRAWING 2.00MM DUAL ROW HEADER SINGLE WAFER T/H		
				PRODUCT CUSTOMER DRAWING		
4 PLACES	±			EC NO: 679909		
3 PLACES	±			DRWN: AKUMAR19	2021/06/15	
2 PLACES	±	0.2	±	CHK'D: MRAMAKRISHNA	2021/10/11	
1 PLACE	±		±	APPR: MRAMAKRISHNA	2021/10/11	
0 PLACES	±		±	INITIAL REVISION:		
ANGULAR TOL ± 3.0°				DRWN: KCHO	2004/11/05	
				APPR: SLOW	2004/11/26	
DRAFT WHERE APPLICABLE MUST REMAIN WITHIN DIMENSIONS		THIRD ANGLE PROJECTION	DRAWING	SERIES	MATERIAL NUMBER	CUSTOMER
			A3-SIZE	87758	SEE TABLE	GENERAL MARKET
				DOCUMENT NUMBER	DOC TYPE	DOC PART
				SD-87758-030	PSD	001
				REVISION	B2	
				SHEET NUMBER		
				2 OF 4		

10 9 8 7 6 5 4 3 2 1

PACKAGING OPRTION PART NO.			CKT SIZE	VOID POSITION	PLATING TYPE	CAP	PEG	DIMENSION				
TRAY	TUBE WITHOUT CAP	TUBE WITH CAP						A	B	C	D	E
87758-1401	----	----	14	----	1	N	N	13.90	12.00	12.60	8.50	2.60
87758-1402	----	----	14	----	2	N	N	13.90	12.00	12.60	8.50	2.60
87758-1403	----	----	14	----	3	N	N	13.90	12.00	12.60	8.50	2.60
87758-1404	----	----	14	----	4	N	N	13.90	12.00	12.60	8.50	2.60
87758-1405	----	----	14	----	5	N	N	13.90	12.00	12.60	8.50	2.60
87758-1406	----	----	14	----	6	N	N	13.90	12.00	12.60	8.50	2.60
87758-0014	----	----	14	----	4	N	N	13.90	12.00	8.40	5.50	1.40
87758-1492	----	----	14	----	6	N	N	13.90	12.00	14.40	10.00	2.90
87758-1601	----	----	16	----	1	N	N	15.90	14.00	12.60	8.50	2.60
87758-1602	----	----	16	----	2	N	N	15.90	14.00	12.60	8.50	2.60
87758-1603	----	----	16	----	3	N	N	15.90	14.00	12.60	8.50	2.60
87758-1604	----	----	16	----	4	N	N	15.90	14.00	12.60	8.50	2.60
87758-1605	----	----	16	----	5	N	N	15.90	14.00	12.60	8.50	2.60
87758-1606	----	----	16	----	6	N	N	15.90	14.00	12.60	8.50	2.60
87758-0016	----	----	16	----	6	N	N	15.90	14.00	10.30	6.30	2.50
87758-0017	----	----	16	----	6	N	N	15.90	14.00	10.70	6.60	2.60
87758-0018	----	----	16	----	6	N	N	15.90	14.00	10.30	6.30	2.50
87758-1620	----	----	16	----	5	N	N	15.90	14.00	16.40	11.70	3.20
87758-1801	----	----	18	----	1	N	N	17.90	16.00	12.60	8.50	2.60
87758-1802	----	----	18	----	2	N	N	17.90	16.00	12.60	8.50	2.60
87758-1803	----	----	18	----	3	N	N	17.90	16.00	12.60	8.50	2.60
87758-1804	----	----	18	----	4	N	N	17.90	16.00	12.60	8.50	2.60
87758-1805	----	----	18	----	5	N	N	17.90	16.00	12.60	8.50	2.60
87758-1806	----	----	18	----	6	N	N	17.90	16.00	12.60	8.50	2.60

PACKAGING OPRTION PART NO.			CKT SIZE	VOID POSITION	PLATING TYPE	CAP	PEG	DIMENSION				
TRAY	TUBE WITHOUT CAP	TUBE WITH CAP						A	B	C	D	E
87758-2001	----	----	20	----	1	N	N	19.90	18.00	12.60	8.50	2.60
87758-2002	----	----	20	----	2	N	N	19.90	18.00	12.60	8.50	2.60
87758-2003	----	----	20	----	3	N	N	19.90	18.00	12.60	8.50	2.60
87758-2004	----	----	20	----	4	N	N	19.90	18.00	12.60	8.50	2.60
87758-2005	----	----	20	----	5	N	N	19.90	18.00	12.60	8.50	2.60
87758-2005	----	----	20	----	6	N	N	19.90	18.00	12.60	8.50	2.60
87758-0006	----	----	20	----	5	N	N	19.90	18.00	11.92	5.21	5.21
87758-2046	----	----	20	----	5	N	N	19.90	18.00	7.70	4.45	1.75
87758-2201	----	----	22	----	1	N	N	21.90	20.00	12.60	8.50	2.60
87758-2202	----	----	22	----	2	N	N	21.90	20.00	12.60	8.50	2.60
87758-2203	----	----	22	----	3	N	N	21.90	20.00	12.60	8.50	2.60
87758-2204	----	----	22	----	4	N	N	21.90	20.00	12.60	8.50	2.60
87758-2205	----	----	22	----	5	N	N	21.90	20.00	12.60	8.50	2.60
87758-2206	----	----	22	----	6	N	N	21.90	20.00	12.60	8.50	2.60
87758-2401	----	----	24	----	1	N	N	23.90	22.00	12.60	8.50	2.60
87758-2402	----	----	24	----	2	N	N	23.90	22.00	12.60	8.50	2.60
87758-2403	----	----	24	----	3	N	N	23.90	22.00	12.60	8.50	2.60
87758-2404	----	----	24	----	4	N	N	23.90	22.00	12.60	8.50	2.60
87758-2405	----	----	24	----	5	N	N	23.90	22.00	12.60	8.50	2.60
87758-2406	----	----	24	----	6	N	N	23.90	22.00	12.60	8.50	2.60

DOCUMENT STATUS | P1 | RELEASE DATE | 2021/10/11 | 11:53:16

THIS DRAWING CONTAINS INFORMATION THAT IS PROPRIETARY TO MOLEX ELECTRONIC TECHNOLOGIES, LLC AND SHOULD NOT BE USED WITHOUT WRITTEN PERMISSION

SCALE: mm NTS

GENERAL TOLERANCES (UNLESS SPECIFIED)

PLACES	MM	INCH
4 PLACES	±	±
3 PLACES	±	±
2 PLACES	± 0.2	±
1 PLACE	±	±
0 PLACES	±	±

ANGULAR TOL ± 3.0°

DRAFT WHERE APPLICABLE MUST REMAIN WITHIN DIMENSIONS

THIRD ANGLE PROJECTION

DRAWING: A3-SIZE

SERIES: 87758

MATERIAL NUMBER: SEE TABLE

CUSTOMER: GENERAL MARKET

SHEET NUMBER: 3 OF 4

EC NO: 679909

DRWN: AKUMAR19 2021/06/15

CHK'D: MRAMAKRISHNA 2021/10/11

APPR: MRAMAKRISHNA 2021/10/11

INITIAL REVISION:

DRWN: KCHO 2004/11/05

APPR: SLOW 2004/11/26

DOCUMENT NUMBER: SD-87758-030

DOC TYPE: PSD

DOC PART: 001


REVISION: B2

SALES DRAWING
2.00MM DUAL ROW HEADER SINGLE WAFER T/H

PRODUCT CUSTOMER DRAWING

9 8 7 6 5 4 3 2 1

PACKAGING OPRTION PART NO.			CKT SIZE	VOID POSITION	PLATING TYPE	CAP	PEG	DIMENSION				
TRAY	TUBE WITHOUT CAP	TUBE WITH CAP						A	B	C	D	E
87758-0002	----	----	26	26	4	N	N	25.90	24.00	9.56	4.06	4.00
87758-2608	----	----	26	----	5	N	N	25.90	24.00	9.70	4.00	4.20
87758-2672	----	----	26	----	4	Y	N	25.90	24.00	12.76	8.66	2.60
87758-0009	----	----	40	----	4	N	N	39.90	38.00	11.98	5.24	5.24
87758-4000	----	----	40	----	4	N	N	39.90	38.00	12.80	7.90	3.40
87758-7006	----	----	42	19 & 22	1	N	N	41.90	40.00	12.7	8.50	2.70
87758-4471	----	----	44	19	5	N	N	43.90	42.00	8.10	4.00	2.60
87758-4477	----	----	44	20	4	N	N	43.90	42.00	8.10	4.00	2.60
87758-5099	----	----	50	----	4	N	N	49.90	48.00	11.00	6.50	3.00
87758-0050	----	----	50	----	4	N	N	49.90	48.00	18.70	13.00	4.20

THIS DRAWING CONTAINS INFORMATION THAT IS PROPRIETARY TO MOLEX ELECTRONIC TECHNOLOGIES, LLC AND SHOULD NOT BE USED WITHOUT WRITTEN PERMISSION																			
DIMENSION UNITS		SCALE		CURRENT REV DESC: BRIGHT TIN PHASE OUT															
mm		NTS																	
GENERAL TOLERANCES (UNLESS SPECIFIED)				EC NO: 679909 DRWN: AKUMAR19 2021/06/15 CHK'D: MRAMAKRISHNA 2021/10/11 APPR: MRAMAKRISHNA 2021/10/11 INITIAL REVISION: DRWN: KCHO 2004/11/05 APPR: SLOW 2004/11/26								SALES DRAWING							
												2.00MM DUAL ROW HEADER SINGLE WAFER T/H							
												PRODUCT CUSTOMER DRAWING							
												DOCUMENT NUMBER		DOC TYPE		DOC PART		REVISION	
												SD-87758-030		PSD		001		B2	
												DRAFT WHERE APPLICABLE MUST REMAIN WITHIN DIMENSIONS		THIRD ANGLE PROJECTION		DRAWING		SHEET NUMBER	
						A3-SIZE		87758		4 OF 4									