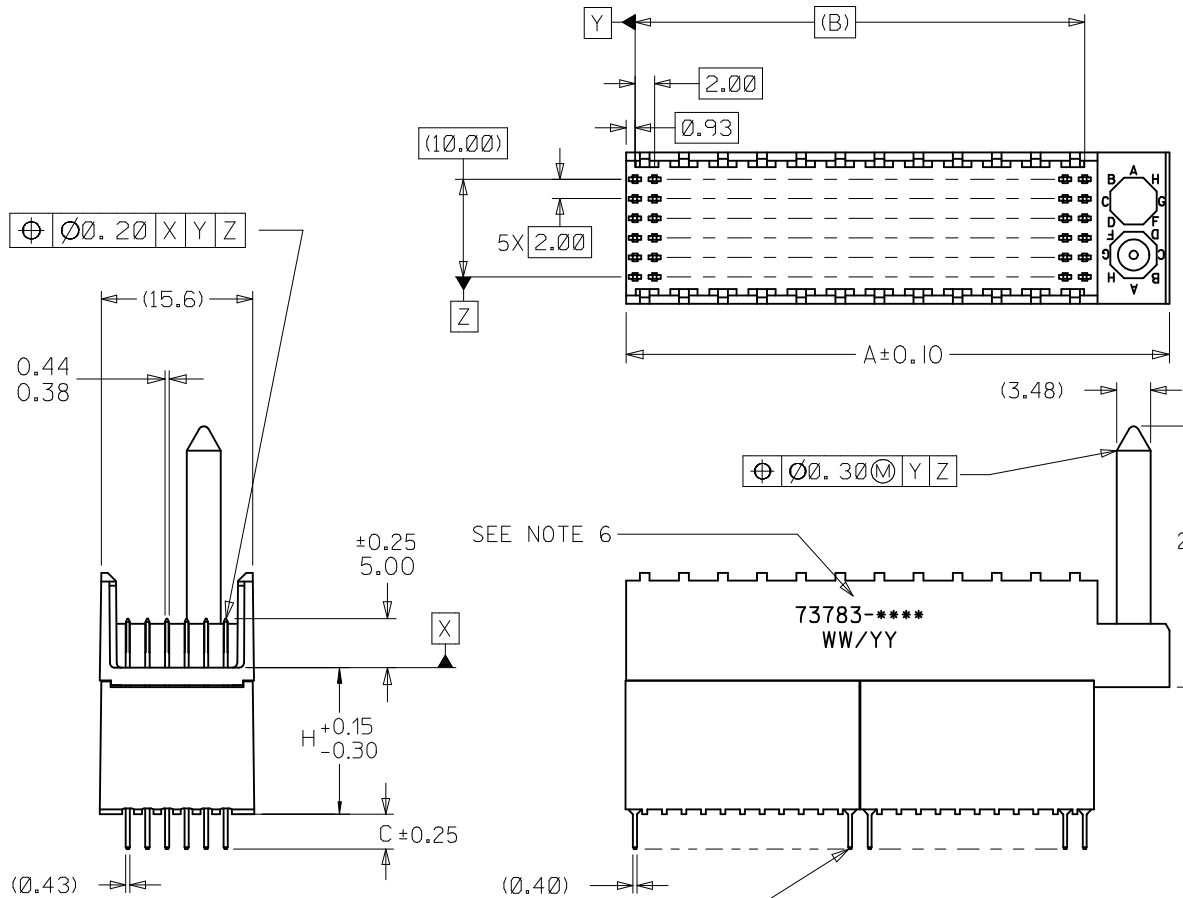


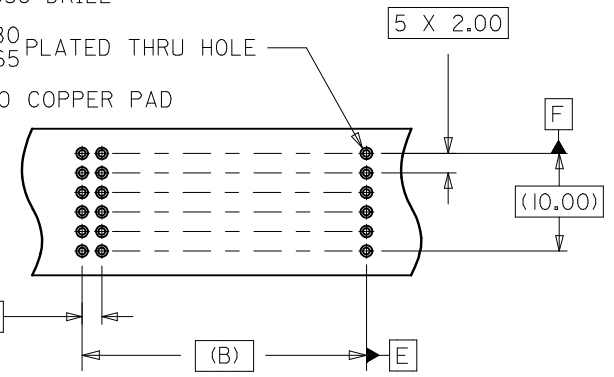
NOTES:

- MATERIALS: HOUSING-LIQUID CRYSTAL POLYMER (LCP), GLASS-FILLED, UL94V-0, COLOR: BLACK. TERMINAL-PHOSPHOR BRONZE
- FINISH:
0.75 MICROMETERS MINIMUM SELECTIVE GOLD IN MATING AREA
2.50 MICROMETERS MINIMUM SELECTIVE TIN IN TAIL AREA
NICKEL UNDERPLATE OVERALL.
- THIS PART CONFORMS TO MOLEX PRODUCT SPECIFICATION PS-73780-999.
- THIS PART CONFORMS TO MOLEX COSMETIC SPECIFICATION PS-45499-002 CLASS C.
- PACKAGE PER PK-70873-0870, PK-70873-0871, OR PK-70873-0875.
- PARTS MARKED WITH PART NUMBER AND DATE CODE APPROXIMATELY WHERE SHOWN.



⊕ ∅0.15 (M) E F

- ∅ 0.838 DRILL
- ∅ 0.80 PLATED THRU HOLE
0.65
- ∅ 1.20 COPPER PAD

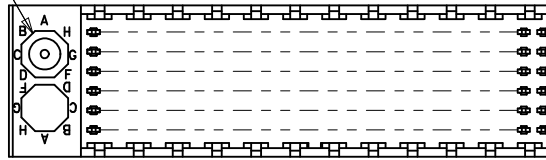


BACKPLANE HOLE PATTERN

SEE NOTE 6

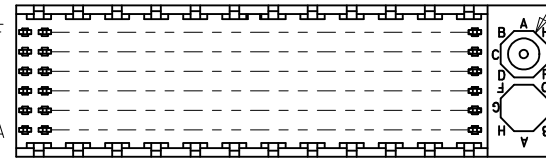
REVISE DIM H TOL EC NO: UCP2008-3186 DRWN: SPANNEY 2008/07/29 CHKD: MSIBARRA 2008/09/11 APPR: SMILLER 2008/09/16	QUALITY SYMBOLS ▽=0 ▽=0	GENERAL TOLERANCES (UNLESS SPECIFIED) mm INCH 4 PLACES ± --- ± --- 3 PLACES ± --- ± --- 2 PLACES ± 0.05 ± --- 1 PLACE ± 0.10 ± --- ANGULAR ± 1/2°	DIMENSION STYLE MM ONLY	SCALE DESIGN UNITS METRIC	THIRD ANGLE PROJECTION
	DRAWN BY JB INGHAM CHECKED BY SREED APPROVED BY CBI XLER		DATE 1997/04/25 DATE 1997/04/25 DATE 1997/04/25	TITLE SALES ASSY HDM BACKPLANE STACKING MODULE, POLAR/ GUIDE OPTION SOLDER TAIL MOLEX MOLEX INCORPORATED	
	DRAFT WHERE APPLICABLE MUST REMAIN WITHIN DIMENSIONS		MATERIAL NO. SEE TABLE	DOCUMENT NO. SD-73783-001	SHEET NO. 1 OF 2

LOCATION A



REF. MATERIAL NUMBER 73783-1100
GUIDE PIN IS IN LOCATION A

LOCATION B



REF. MATERIAL NUMBER 73783-1101
GUIDE PIN IS IN LOCATION B

MATERIAL NUMBER ASSIGNMENT

73783- * * * *

NUMBER	CIRCUIT SIZE	DIM "A"	DIM "B"	DIM "C"
0	72	31.6	22.00	2.0
1	144	55.6	46.00	2.0
2	72	31.6	22.00	2.5
3	144	55.6	46.00	2.5
4	72	31.6	22.00	3.0
5	144	55.6	46.00	3.0
6	72	31.6	22.00	3.5
7	144	55.6	46.00	3.5

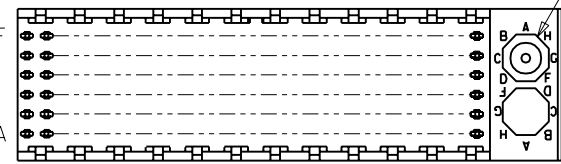
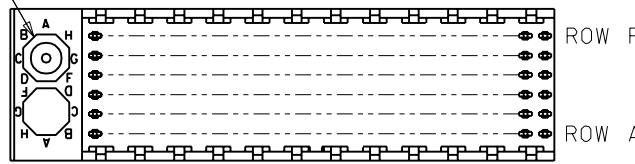
NUMBER	GUIDE POST LOCATION
00	A
01	B
02	N/A

NUMBER	DIM "H"
1	15.05
2	6.05
3	10.05

SEE SHEET 1 EC NO: UCP2008-3186 DRAWN: SPANNELLY 2008/07/29 CHKD: MSIBARRA 2008/09/11 APPR: SMILLER 2008/09/16	QUALITY SYMBOLS ▽=0 ▽=0	GENERAL TOLERANCES (UNLESS SPECIFIED)		DIMENSION STYLE MM ONLY		SCALE 1:1	DESIGN UNITS METRIC	THIRD ANGLE PROJECTION	
		4 PLACES ± --- ± --- 3 PLACES ± --- ± --- 2 PLACES ± 0.05 ± --- 1 PLACE ± 0.10 ± ---	mm INCH	DRAWN BY JB INGHAM	DATE 1997/04/25	TITLE SALES ASSY HDM BACKPLANE STACKING MODULE, POLAR/GUIDE OPTION SOLDER TAIL			
		ANGULAR ±1/2°		CHECKED BY SREED	DATE 1997/04/25	MOLEX INCORPORATED			
		DRAFT WHERE APPLICABLE MUST REMAIN WITHIN DIMENSIONS		APPROVED BY CBIXLER	DATE 1997/04/25	MATERIAL NO. SEE TABLE	DOCUMENT NO. SD-73783-001	SHEET NO. 2 OF 2	

LOCATION A

LOCATION B



REF. MATERIAL NUMBER 73783-1100
GUIDE PIN IS IN LOCATION A

REF. MATERIAL NUMBER 73783-1101
GUIDE PIN IS IN LOCATION B

MATERIAL NUMBER ASSIGNMENT

73783- * * * *

NUMBER	CIRCUIT SIZE	DIM "A"	DIM "B"	DIM "C"
0	72	31.6	22.00	2.0
1	144	55.6	46.00	2.0
2	72	31.6	22.00	2.5
3	144	55.6	46.00	2.5
4	72	31.6	22.00	3.0
5	144	55.6	46.00	3.0
6	72	31.6	22.00	3.5
7	144	55.6	46.00	3.5

NUMBER	GUIDE POST LOCATION
00	A
01	B
02	N/A

NUMBER	DIM "H"
1	15.05
2	6.05
3	10.05

SEE SHEET 1
EC No. UDT2000-1073
DRWN:JBINGHAM 00/05/08
CHK: SREED 00/05/08
APPR:CBIXLER 00/05/08

QUALITY SYMBOLS
MAJOR $\nabla = 0$
CRITICAL $\nabla C = 0$

GENERAL TOLERANCES: (UNLESS SPECIFIED)
mm INCH
4 PLACES $\pm 0.$ $\pm.$
3 PLACES $\pm 0.$ $\pm.$
2 PLACES $\pm 0.N/A$ $\pm.$
1 PLACE $\pm 0.N/A$ $\pm.$
ANGULAR: \pm $^{\circ}$
DRAFT WHERE APPLICABLE MUST REMAIN WITHIN DIMENSIONS

SCALE ---:---
DESIGN UNITS mm INCH
DRAWN BY & DATE
JBINGHAM 97/04/25
CHECKED BY & DATE
SREED 97/04/25
APPROVED BY & DATE
CBIXLER 97/04/25
CAD FILENAME
S73783X2.DGN

DIMENSIONS: mm INCH mm ONLY
THIRD ANGLE PROJECTION
TITLE: SALES ASSEMBLY
HDM BACKPLANE STACKING MODULE
POLAR/GUIDE OPTION SOLDER TAIL
MOLEX INCORPORATED
MATERIAL NO. SEE CHART
DRAWING NO. SD-73783-001
SHEET NO. 2
THIS DRAWING CONTAINS INFORMATION THAT IS PROPRIETARY TO MOLEX INCORPORATED AND SHOULD NOT BE USED WITHOUT WRITTEN PERMISSION.