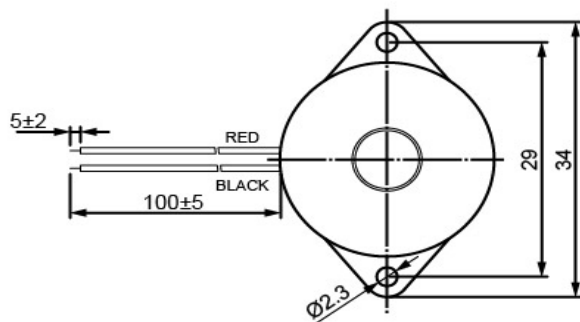
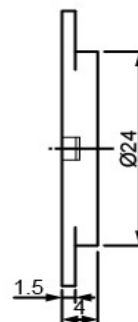




TOP VIEW



SIDE VIEW



Specifications			Notes	Revision History								
Description	Value	Unit		Version	Description	Date	Approved					
Technology	Piezo		1) All dimensions are in mm unless otherwise noted 2) All parts meet RoHS	1	Released from Engineering	10/21/2013	J.S					
Resonant Frequency	5,500	(Hz)										
Rated Voltage	15	(V)										
SPL @ 10cm	90	(dBA)										
Capacitance	18,000	(pF)										
Mount Type	Flange											
Voltage Range	1 ~ 30	(V)										
Max Rated Current	8	(mA)										
Housing Material	NORYL											
Operating Temperature	-30 ~ +70	°C										
Storage Temperature	-40 ~ +85	°C										
Weight	1.9	(g)										
						TP245515-2						
										<table border="1"> <thead> <tr> <th>Drawn by</th> <th>Date</th> <th>Checked by</th> <th>Date</th> <th>Approved by</th> <th>Date</th> </tr> </thead> <tbody> <tr> <td>A.B.</td> <td>10/21/2013</td> <td>C.E.</td> <td>10/21/2013</td> <td>J.S</td> <td>10/21/2013</td> </tr> </tbody> </table>	Drawn by	Date
Drawn by	Date	Checked by	Date	Approved by	Date							
A.B.	10/21/2013	C.E.	10/21/2013	J.S	10/21/2013							