



### Main

Range of Product	Harmony Solid State Relays
Product or Component Type	Lug
Accessory / separate part category	Mounting accessory
Accessory / separate part destination	SSP1 solid state relay

### Complementary

Material	Copper
AWG gauge	AWG 6...AWG 1/0
Tightening torque	11.51...15.05 lbf.in (1.3...1.7 N.m)
Wire clamp screw torque	20.36 lbf.in (2.3 N.m)
Net Weight	0.07 lb(US) (0.033 kg)
Sale per indivisible quantity	10

### Ordering and shipping details

Category	22375 - INTERFACE MODULE(ABA,R,S)
Discount Schedule	CP2
GTIN	3606485442204
Nbr. of units in pkg.	1
Package weight(Lbs)	1.27 oz (36 g)
Returnability	No
Country of origin	MX

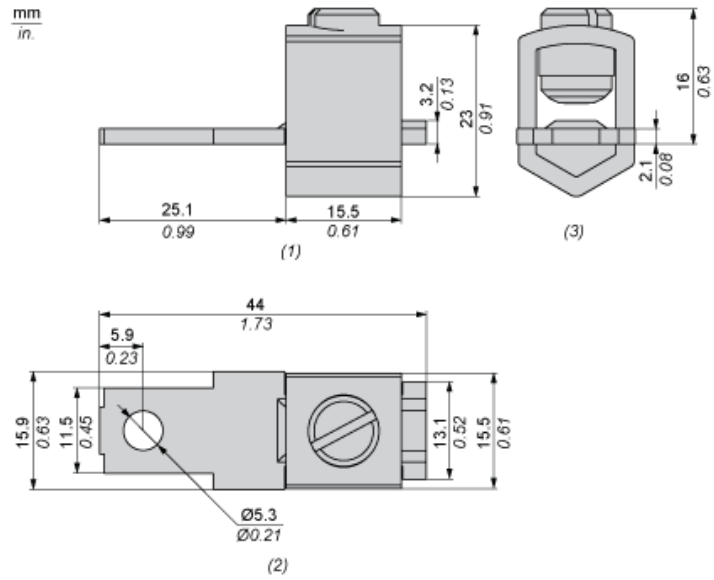
### Packing Units

Unit Type of Package 1	PCE
Package 1 Height	0.20 in (0.5 cm)
Package 1 width	0.08 in (0.2 cm)
Package 1 Length	0.12 in (0.3 cm)
Unit Type of Package 2	BB1
Number of Units in Package 2	10
Package 2 Weight	12.77 oz (362 g)
Package 2 Height	1.57 in (4 cm)
Package 2 width	3.31 in (8.4 cm)
Package 2 Length	4.72 in (12 cm)
Unit Type of Package 3	S01
Number of Units in Package 3	90
Package 3 Weight	7.81 lb(US) (3.544 kg)
Package 3 Height	5.91 in (15 cm)
Package 3 width	5.91 in (15 cm)
Package 3 Length	15.75 in (40 cm)

## Offer Sustainability

REACH Regulation	<a href="#">REACH Declaration</a>
EU RoHS Directive	Compliant <a href="#">EU RoHS Declaration</a>
Toxic heavy metal free	Yes
Mercury free	Yes
RoHS exemption information	<a href="#">Yes</a>
China RoHS Regulation	<a href="#">China RoHS Declaration</a>
WEEE	The product must be disposed on European Union markets following specific waste collection and never end up in rubbish bins.

## Dimensions



- (1) Front view
- (2) Top view
- (3) Side view