

**PLUG:** MS-253-037-325-220S  
**RECEPTACLE:** MS-263-037-435-220S  
 XX-XXX-XXX-XXX-XXXX-XXX  
 |       |       |       |       |  
 BODY   CONTACTS   OPTIONS  
 SERIES   SIZE        HARDWARE

### PLUG

#### SERIES

MS .050" Low Profile Metal PC Board Mount Connector  
 MR .050" Low Profile Plastic PC Board Mount Connector  
 (MS & MR mate with MP, MQ, MR, MS, receptacles)

#### BODY

- 2 2-Row (Sizes 9 thru 37)
- 3 3-Row (Size 51)
- BODY STYLE:
- 5 Plug, right angle, narrow footprint, w/ mounting holes
- BODY MATERIAL:
- 1 Polyphenylene Sulfide (MR only)
- 2 Electroless nickel shell w/ PPS insulator
- 3 Electrodeposited cadmium shell w/ PPS insulator
- 4 Hard anodized black shell w/ PPS insulator

#### SIZE

XXX 009, 015, 021, 025, 031, 037, 051

#### CONTACTS

- TYPE CONTACTS/TERMINATIONS:
- 32 Pin, right angle, PCB leads, .109"
  - 33 Pin, right angle, PCB leads, .140"
  - 34 Pin, right angle, PCB leads, .172"
- PLATING OPTIONS:
- 3 50 μ" Au contacts; Au terminations
  - 5 50 μ" Au contacts; Sn/Pb alloy terminations
  - 7 50 μ" Au contacts; SAC305 terminations

#### HARDWARE

- STYLE OF HARDWARE:
- 00 None
  - 22 Two fixed jacknuts
  - 41 Two turning jackscrews, allen head, retaining ring\*
  - 99 Keying hardware, see options below (Body material 2, 3 and 4 only)
- POLARIZATION / WIRING:
- 0R Reversed body polarization
  - 0S Standard body polarization

#### OPTIONS

- KPXX Two fixed jacknuts
- 905 Threaded inserts

#### NOTES

See page MA-6 for keying options  
 \* = Connector body has no mounting holes.  
 = Option not RoHS compliant

### RECEPTACLE

#### SERIES

MS .050" Low Profile Metal PC Board Mount Connector  
 MR .050" Low Profile Plastic PC Board Mount Connector  
 (MS & MR mate with MP, MQ, MR, MS plugs)

#### BODY

- 2 2-Row (Sizes 9 thru 37)
- 3 3-Row (Size 51)
- BODY STYLE:
- 6 Receptacle, right angle, narrow footprint, w/ mounting holes
- BODY MATERIAL:
- 1 Polyphenylene Sulfide (MR only)
- 2 Electroless nickel shell w/ PPS insulator
- 3 Electrodeposited cadmium shell w/ PPS insulator
- 4 Hard anodized black shell w/ PPS insulator

#### SIZE

XXX 009, 015, 021, 025, 031, 037, 051

#### CONTACTS

- TYPE CONTACTS/TERMINATIONS:
- 43 Socket, right angle, PCB leads, .109"
  - 44 Socket, right angle, PCB leads, .140"
  - 45 Socket, right angle, PCB leads, .172"
- PLATING OPTIONS:
- 3 50 μ" Au contacts; Au terminations
  - 5 50 μ" Au contacts; Sn/Pb alloy terminations
  - 7 50, u" Au contacts; SAC305 terminations

#### HARDWARE

- STYLE OF HARDWARE:
- 00 None
  - 22 Two fixed jacknuts
  - 41 Two turning jackscrews, allen head, retaining ring\*
  - 99 Keying hardware, see options below (Body material 2, 3 and 4 only)
- POLARIZATION / WIRING:
- 0R Reversed body polarization
  - 0S Standard body polarization

#### OPTIONS

- KPXX Two fixed jacknuts
- 905 Threaded inserts

#### NOTES

See page MA-6 for keying options  
 \* = Connector body has no mounting holes.  
 = Option not RoHS compliant



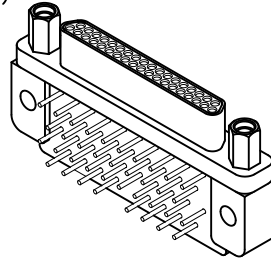
# Right Angle Boardmount Low Profile (Narrow Footprint)

.050"

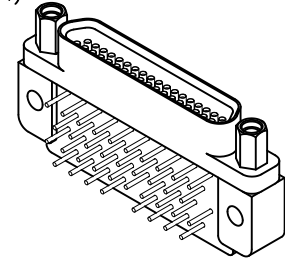
9 thru 51 Contacts

**MS, MR**

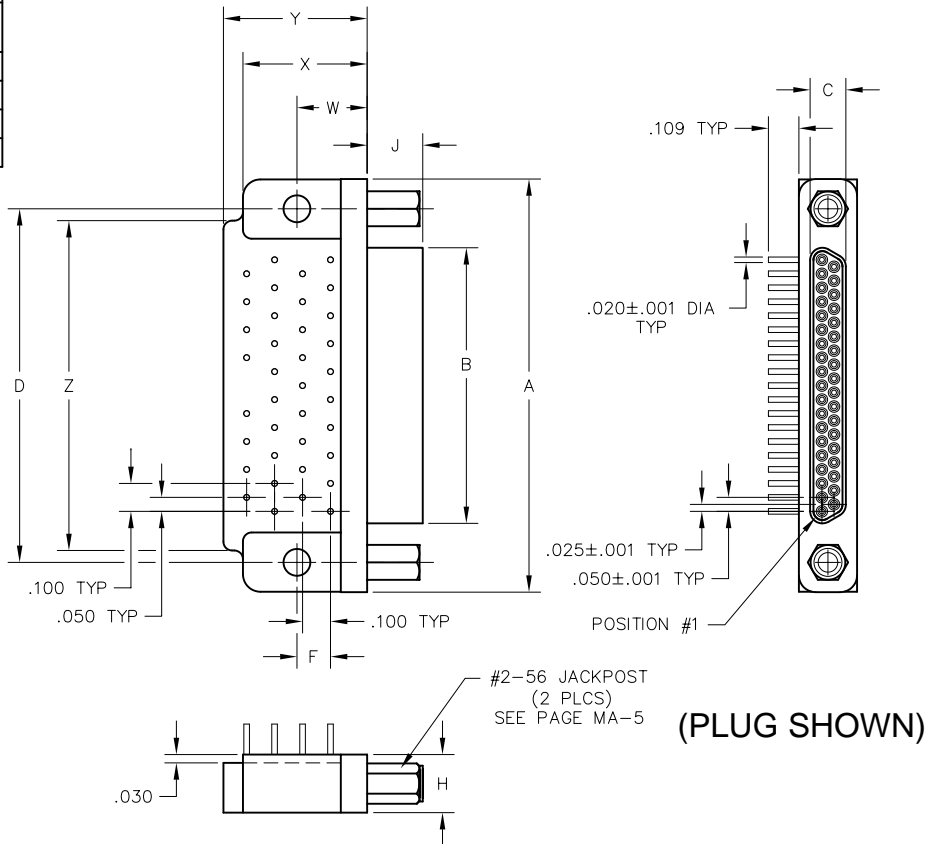
MS-253-037-325-220S (PLUG)



MS-263-037-435-220S (RCPT)



MATING MATRIX	
CONNECTOR	MATES WITH
MS-25...	MP, MQ, MR, MS receptacles
MR-25...	MP, MQ, MR, MS receptacles
MS-26..	MP, MQ, MR, MS plugs
MR-26..	MP, MQ, MR, MS plugs



DIMENSIONS																	
SIZE	CONTACT ROWS	A	B		C		D	F	H	J		W	X MAX	Y MAX	Z	HARDWARE	MOUNTING HOLE
			PLUG MAX	RCPT MAX	PLUG MAX	RCPT MAX				PLUG	RCPT						
9	2	.778	.292	.378	.134	.218	.565	.120	.208	.199	.180	.250	.420	.420	.775	#2-56 UNC THD	#2-56 DIA OR #2-56 UNC THREADED INSERT
15		.928	.442	.528			.715								.925		
21		1.078	.592	.678			.865								1.075		
25		1.178	.692	.778			.965								1.175		
31		1.328	.842	.928			1.115								1.080		
37		1.478	.992	1.078			1.265								1.180		
51	3	1.428	.942	1.028	.177	.260	1.215	.150	.250	.300	.425	.650	1.220				