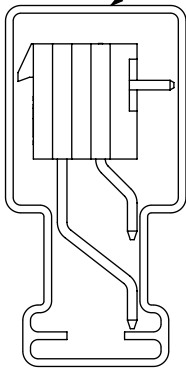
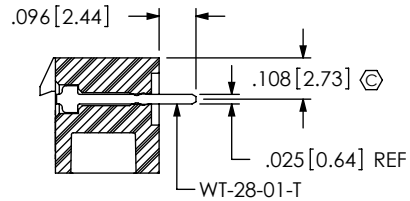


REVISION K

PT-1-24-01-44
USE TP-26 PLUGS

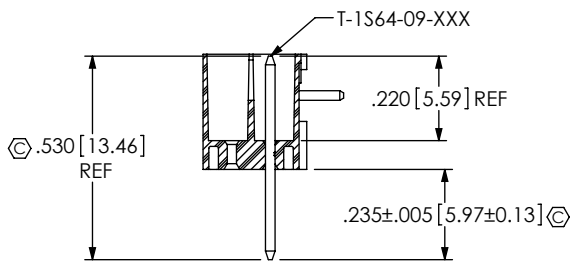
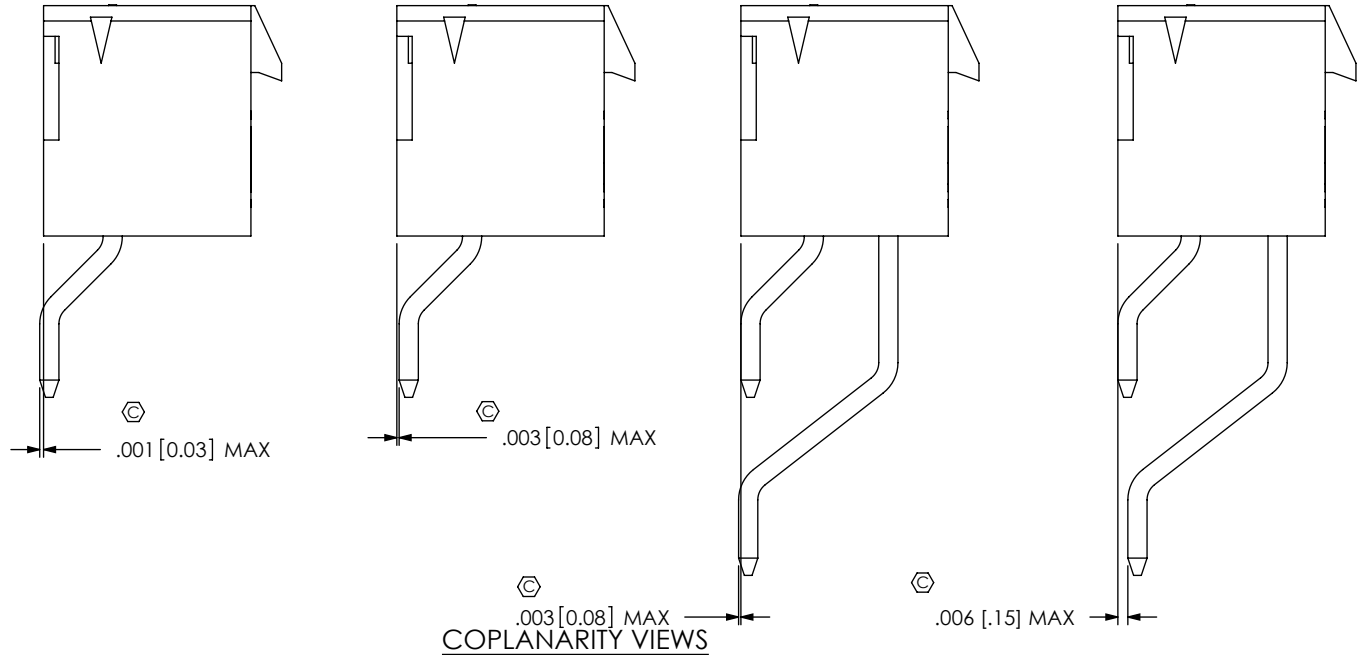


PACKAGING VIEW
POSITIONS 4-25 TO BE PACKAGED IN TUBES
POSITIONS 1-3 TO BE LAYER PACKAGED

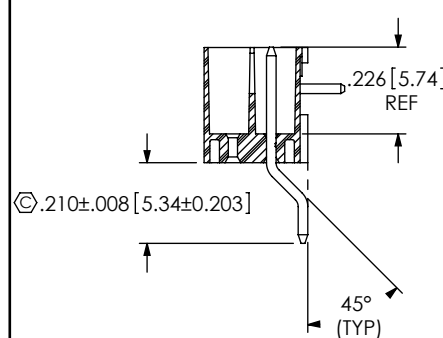


IN-PROCESS 1
(SEE NOTE 11)

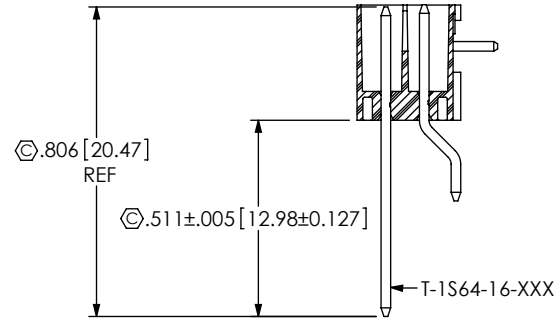
EXISTING CUSTOMERS ONLY AS OF 5/1/2012,
SAMTEC WILL ONLY SUPPORT EXISTING BUSINESS
OF THIS PRODUCT



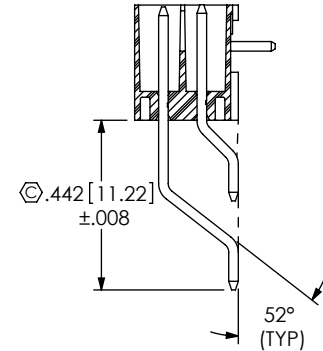
IN-PROCESS 2



IN-PROCESS 3



IN-PROCESS 4



IN-PROCESS 5

PROPRIETARY NOTE
THIS DOCUMENT CONTAINS INFORMATION
CONFIDENTIAL AND PROPRIETARY TO
SAMTEC, INC. AND SHALL NOT BE REPRODUCED OR
TRANSFERRED TO OTHER DOCUMENTS OR
DISCLOSED TO OTHERS OR USED FOR ANY
PURPOSE OTHER THAN THAT WHICH IT WAS
OBTAINED WITHOUT THE EXPRESSED WRITTEN
CONSENT OF SAMTEC, INC.

DO NOT SCALE DRAWING

SHEET SCALE: 2:1

samtec

520 PARK EAST BLVD. NEW ALBANY, IN 47150
PHONE: 812-944-6733 FAX: 812-948-5047
e-Mail: info@SAMTEC.com code 55322

DESCRIPTION:
.100 [2.54] DOUBLE ROW TERMINAL ASSEMBLY

DWG. NO.
IPL1-1XX-02-XXX-DH-K-XX

BY: T NEWTON 02/29/2008 SHEET 2 OF 2