

## SUMMARY



Image is for illustrative purpose only

### # Wires

Low voltage 5

Series	4S
Termination type	Male solder
IP rating	50
AWG wire size	0.00 - 0.00
Cable Ø	9.10 - 10.00 mm
Status	active
Matching parts	<a href="#">ERA.4S.305.CLL</a>

### Download

[Request a quote](#)

[Catalog](#)

## TECHNICAL DETAILS

### Mechanics

Shell Style/Model	FFA*: Straight plug, cable collet
Keying	Hermaphroditic keying (half moon insert) with male pin 1
Housing Material	Brass (chrome plated [SAE AMS 2460]) shell and collet nut, nickel plated [SAE AMS QQ N 290] brass latch sleeve and mid pieces
Weight	136.49 g

### Performance

Configuration	4S.305 : 2 (3 mm) + 3 (2 mm) Low Voltage
Insulator	L: PEEK (UL 94 / V-0/1.5)
Rated Current	16 Amps

### Specifications

Contact Type: Solder  
Vtest: 2100 V (AC), 3000 V (DC)  
Vtest: 2100 V (AC), 3000 V (DC)

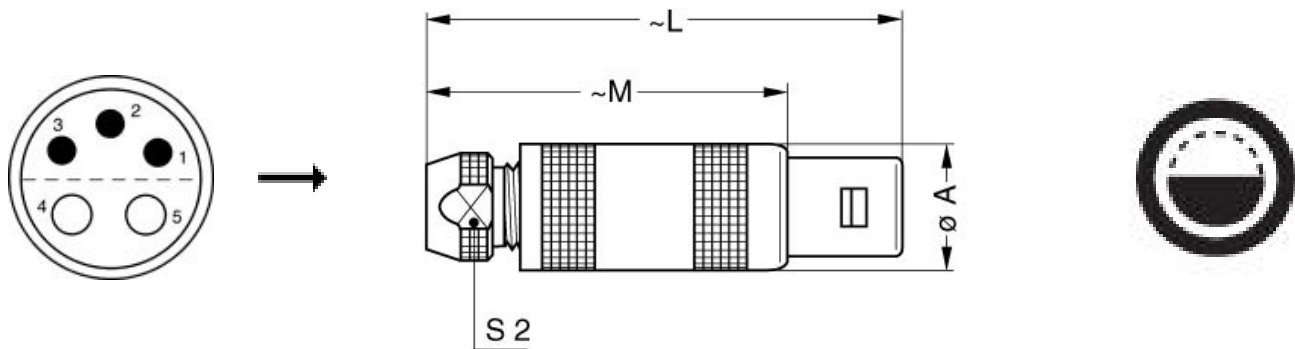
### Others

Endurance (Shell): 5000 mating cycles  
Temp (min / max): -55°C / +250°C

LEMO products and services are provided "as is". LEMO makes no warranties or representations with regard to LEMO product & services or use of them, express, implied or statutory, including for accuracy, completeness, or security. The user is fully responsible for his products and applications using LEMO components.

Humidity (max): <=95% [at 60 deg C /140 F]  
 Vibration: 15 g [10 Hz - 2000 Hz]  
 Shock Resistance: 100 g [ 6 ms]  
 Climatical Category: 50/175/21  
 Shielding (min): 75 dB (10 MHz)  
 Shielding (min): 40 dB (1 GHz)  
 Salt Spray Corrosion: >144 hr

## DRAWINGS



### Dimensions

	A	L	M	S2
mm.	24.8	77	59	19
in.	0,98	3,03	2,32	0,75

## RECOMMENDED BY LEMO

### Tools

Caps: [BFA.4S.100.NAS](#)

*LEMO products and services are provided "as is". LEMO makes no warranties or representations with regard to LEMO product & services or use of them, express, implied or statutory, including for accuracy, completeness, or security. The user is fully responsible for his products and applications using LEMO components.*