

6

5

4

3

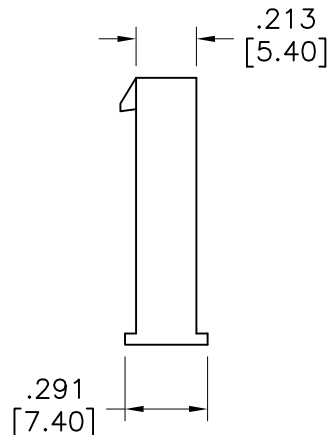
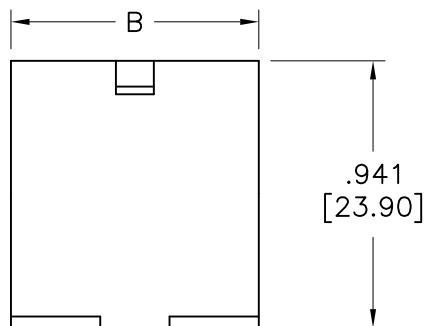
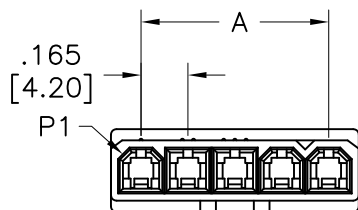
2

1

APPROVED: \_\_\_\_\_

DATE: \_\_\_\_\_ TITLE: \_\_\_\_\_

Rev	AWO #	Description	Date	Appr
-		RELEASED	12/1/16	
A		UPDATE DRAWING	7/23/19	AY/KC



Wire Size AWG	Positions			
	2,3	4~6	7~10	11,12
#16	9A	8A	7A	6A
#18	9A	8A	7A	6A
#20	7A	6A	5A	5A
#22	5A	4A	4A	4A
#24	4A	3A	3A	3A
#26	3A	2A	2A	2A
#28	2A	1A	1A	1A

**SPECIFICATIONS:**

Material:

Insulator: Nylon 66, rated UL 94V-2

Insulator color: Natural

Electrical:

Voltage rating: 600 V (R.M.S)

Current rating: See chart

Insulation resistance: 1000 Mohms min @ 500 VDC

Dielectric withstanding voltage: 1500 VAC for 1 minute

Mechanical:

Wire size: 16 Awg thru 28 Awg

Temperature Rating:

-40°C to 105°C

Environmental:

Lead free, RoHS compliant.

Positions: 02 thru 12

A= .165 [4.20] x No. of Space

B= .165 [4.20] x No. of Positions + .047 [1.20]

UNLESS OTHERWISE SPECIFIED  
ALL DIMENSIONS ARE MM [INCHES]  
TOLERANCES: EXCEPT AS NOTED

INCHES		HOLES	
.X	± .10	Ø.X	± .10
.XX	± .020	Ø.XX	± .015
.XXX	± .015	Ø.XXX	± .010

**ADAM**  
**TECH**  
**INTERCONNECTS**

909 Rahway Avenue,  
Union, NJ 07083  
Phone: 908-687-5000  
Fax: 908-687-5710

TITLE  
**PLUG HOUSING, SINGLE ROW, .165 [4.20] PITCH**

APPROVALS		DATE
DRAWN	HR	12/1/16
CHECKED	LW1	12/1/16
APPROVED		

SIZE <b>X</b>	PART NO. <b>DMF-XX-W-S-NE</b>	REV. <b>A</b>
REF: S00123T	SCALE: NTS	SHEET 1 OF 1



6

5

4

3

2

1