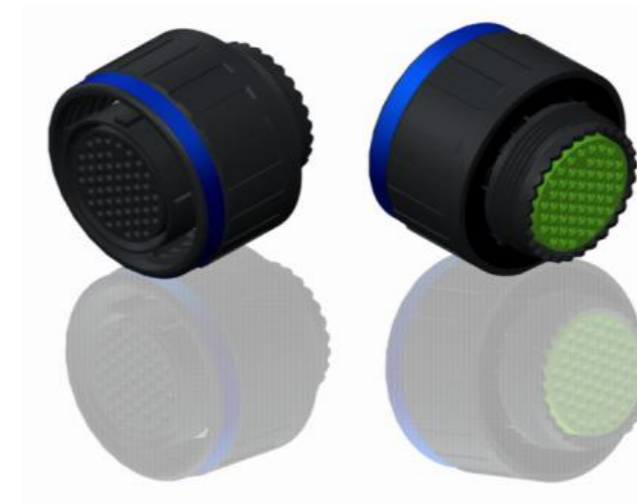
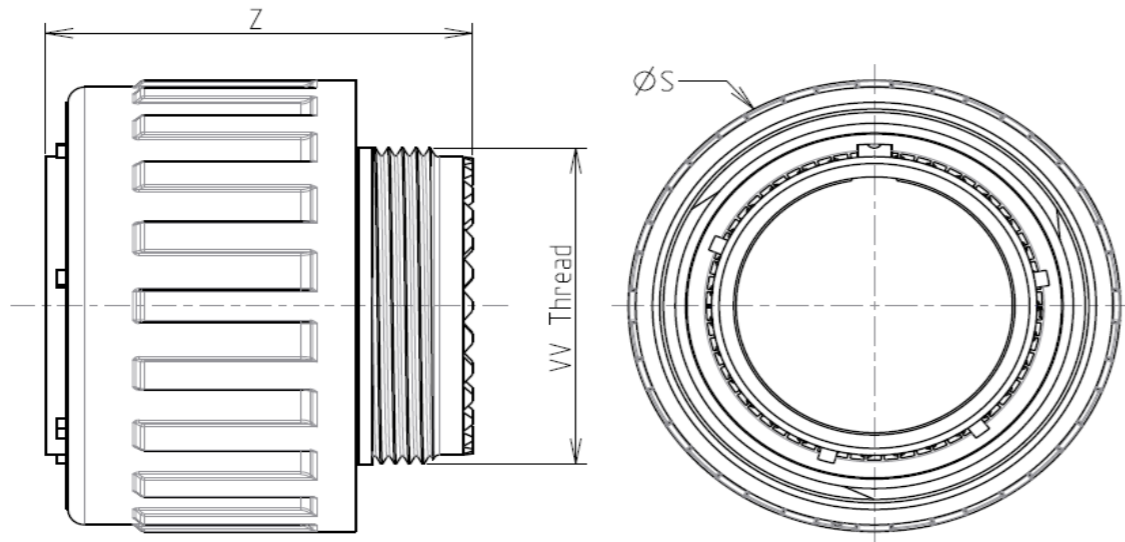


H G F E D C B A



LAYOUT SHOWN AS EXAMPLE

Keying Shown as example

CHARACTERISTICS

- Standard : Based on MIL-DTL-38999 Series III
- Shell Material : Composite
- Shell Plating : Without Plating
- Insulator : Thermoplastic
- Contacts : Copper Alloy
- Seals & Grommet : Silicon Elastomer
- Contact Plating : Gold over copper Alloy 0.8µm minimum
- Durability : 500 Mating cycles
- Delivered with Souriau contacts and Accessories
- Temperature Range : -65°C to +175°C
- Salt Spray : 2000 hours

Connector dimension	
Dim	Nominal
ØS	41.7 Max
Z	31 Max
VV THREAD	M31x1-6g

SOURIAU shall not be liable for any non-conformity or damage due to a use of the Products which does not comply with the Specifications issued by either of the Parties or by a third party (professional recommendation, technical notice.)

Country	Jurisdiction & Control List
FR	Not Listed

PN: 8D521X42SC

A	11-10-2016	First Release	
ISS	DATE	Latest modification - by	MOD N°
Designed By:		Date:	CUSTOMER DRAWING

TITLE Composite Plug 8D series

SCALE		General linear Tolerances:	NPRDS / PROJECT
NA		±--	859

BASIC SERIES:	8D	5	-	21	X	42	S	C	ORIENTATION : C
SHELL TYPE :	Plug with RFI Shielding								CONTACT TYPE : SOCKET(500 Matings)
CONTACT TYPE :	Standard Crimp Contact								CONTACT LAYOUT : 21-42
SHELL SIZE :	21								
PLATING :	X = Without Plating								

SOURIAU WWW.SOURIAU.COM

This document is the property of SOURIAU it must not be reproduced or communicated without permission

FORMAT	SOURIAU DRG N° 8D521X42SC-C		SHEET
A3			1/2

H G F E D C B A

Contact Layout

42



2#4 Power

21-42		
Ctc	X	Y
A	0	6.19
B	0	-6.19

SOURIAU shall not be liable for any non-conformity or damage due to a use of the Products which does not comply with the Specifications issued by either of the Parties or by a third party (professional recommendation, technical notice.)

Country	Jurisdiction & Control List
FR	Not Listed

PN: 8D521X42SC

A	11-10-2016	First Release	
ISS	DATE	Latest modification - by	MOD N°
Designed By:		Date:	CUSTOMER DRAWING
TITLE	Composite Plug 8D series		
SCALE		General linear Tolerances:	NPRDS / PROJECT
NA		±--	859
SOURIAU	WWW.SOURIAU.COM		This document is the property of SOURIAU it must not be reproduced or communicated without permission
FORMAT	SOURIAU DRG N° 8D521X42SC-C		SHEET 2/2