

REVISIONS					
P	LTR	DESCRIPTION	DATE	DWN	APVD
L		REVISED PER ECN-22-187636	30NOV2022	MM	LR

**NOTES**

1. ALL DIMENSIONS ARE IN  $\frac{\text{INCHES}}{\text{[MILLIMETERS]}}$
2. DIMENSIONS APPEARING IN TABLE ARE AS FOLLOWS:  
 a - AS SUPPLIED  
 b - AFTER UNRESTRICTED RECOVERY

3. COATING (ADHESIVE): IS OPTIONAL AS SUPPLIED DIMENSIONS APPEARING IN TABLE ARE FOR UNCOATED PARTS. WHEN COATING IS ADDED, ENTRY DIAMETER WILL BE REDUCED BY .06 [1.5] MAX.

4. MOLDING PORTS ARE OPTIONAL. WHEN -00 MODIFICATION NUMBER IS SPECIFIED MOLDING PORTS WILL BE LOCATED AS SHOWN.

5. ORDERING INFORMATION

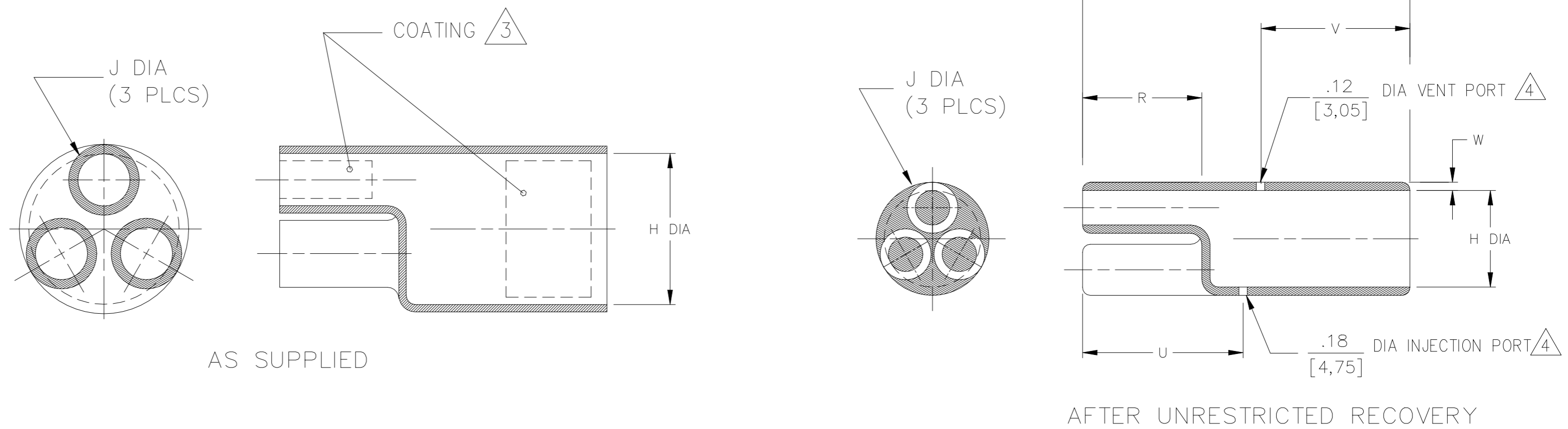
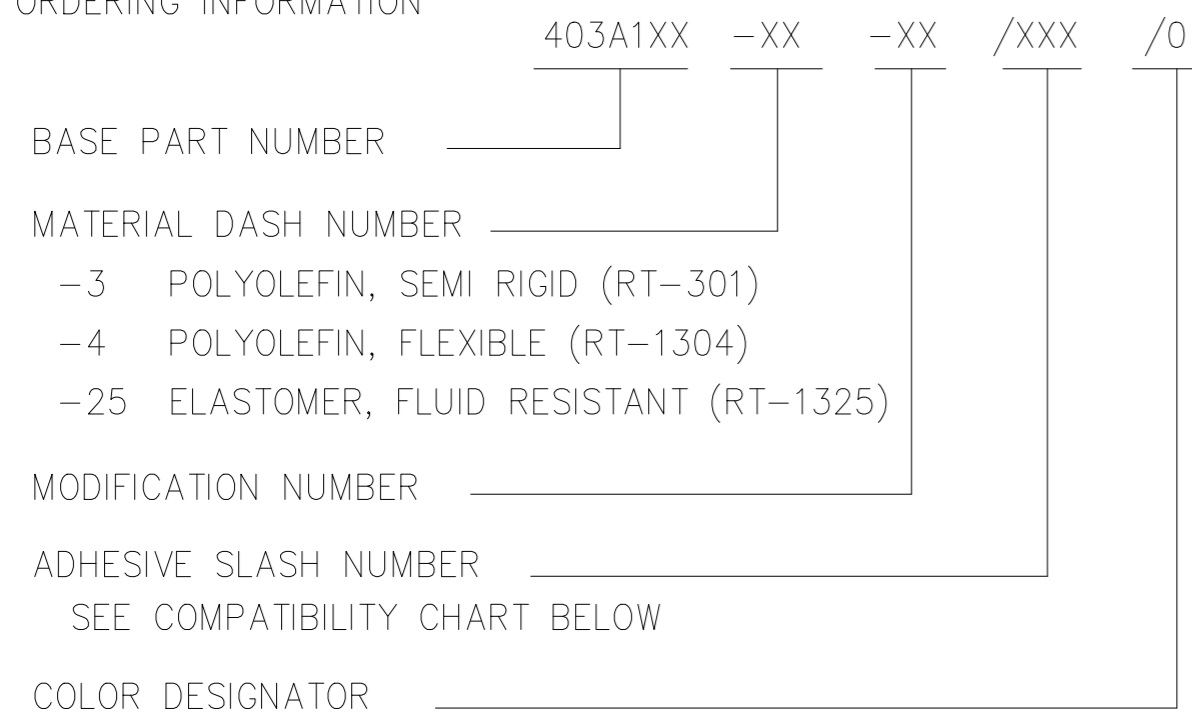


TABLE OF DIMENSIONS

PART DESCRIPTION	H		J		P	R	W	U	V
	MIN	MAX	MIN	MAX	±10%	MIN	±20%	REF	REF
	a	b	a	b	b	b	b	b	b
403A123	$\frac{1.25}{[31,7]}$	$\frac{.69}{[17,5]}$	$\frac{.55}{[14,0]}$	$\frac{.18}{[4,6]}$	$\frac{3.50}{[88,9]}$	$\frac{.80}{[20,3]}$	$\frac{.09}{[2,3]}$	$\frac{1.34}{[34,0]}$	$\frac{1.48}{[37,6]}$
403A134	$\frac{1.75}{[44,4]}$	$\frac{.90}{[22,8]}$	$\frac{.87}{[22,0]}$	$\frac{.32}{[8,1]}$	$\frac{3.50}{[88,9]}$	$\frac{1.20}{[30,5]}$	$\frac{.12}{[3,1]}$	$\frac{1.59}{[40,4]}$	$\frac{1.59}{[40,4]}$
403A145	$\frac{2.46}{[62,5]}$	$\frac{1.40}{[35,6]}$	$\frac{1.16}{[29,5]}$	$\frac{.50}{[12,7]}$	$\frac{5.00}{[127,0]}$	$\frac{1.50}{[38,1]}$	$\frac{.12}{[3,0]}$	$\frac{2.19}{[55,6]}$	$\frac{2.00}{[50,8]}$
403A155	$\frac{2.76}{[70,1]}$	$\frac{1.40}{[35,6]}$	$\frac{1.16}{[29,5]}$	$\frac{.50}{[12,7]}$	$\frac{5.00}{[127,0]}$	$\frac{1.50}{[38,0]}$	$\frac{.12}{[3,0]}$	$\frac{2.19}{[55,6]}$	$\frac{2.00}{[50,8]}$

COMPATIBILITY CHART

MATERIAL DASH NO.	ADHESIVE (COATING) SLASH NUMBER	ADHESIVE (COATING) S NUMBER
-3	/42; /86 /180	S-1017; S-1048; S-1030
-4	/42; /86 /180	S-1017; S-1048; S-1030
-25	/42; /86 /225	S-1017; S-1048; S-1206

THIS DRAWING IS A CONTROLLED DOCUMENT.

DWN M MAZARIEGOS 30NOV2022  
 CHK J LIMA 28NOV2022  
 APVD L RODRIGUEZ 24NOV2022

TE Connectivity

NAME Cable Breakout, 1 to 3

SIZE A2 CAGE CODE 06090 DRAWING NO. C=403A123THRU155 RESTRICTED TO -

SCALE DNS SHEET 1 of 1 REV L

PRODUCT SPEC -  
 APPLICATION SPEC -  
 WEIGHT 0

DIMENSIONS: INCHES  
 TOLERANCES UNLESS OTHERWISE SPECIFIED:  
 0 PLC ± -  
 1 PLC ± -  
 2 PLC ± -  
 3 PLC ± -  
 4 PLC ± -  
 ANGLES ± -

MATERIAL - FINISH -

CUSTOMER DRAWING

403A123THRU155