

CnC Tech

Date: February 28th, 2022

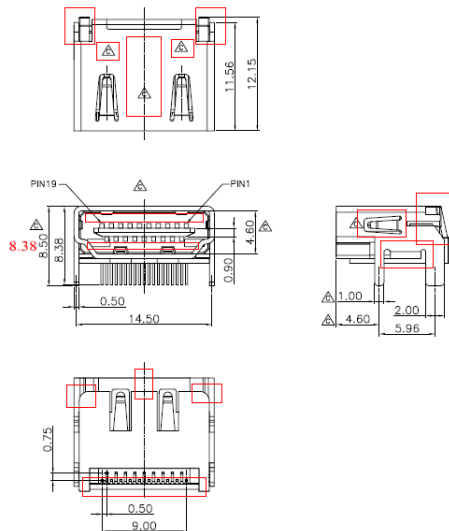
RE: 2000-1-1-20-00-BK

To Whom It May Concern,

The tooling/mold on our part number 2000-1-1-20-00-BK is used up. The new mold will have slight differences in appearance while the PCB layout remains the same.

Comparison drawing and new drawing will be shown on our web page – www.cnctech.us

This change will happen after date code 22/08.



Best regards,

H. Meyer

H. Meyer

CnC Tech

CnC Tech, LLC
7402 W Detroit St, Ste 180