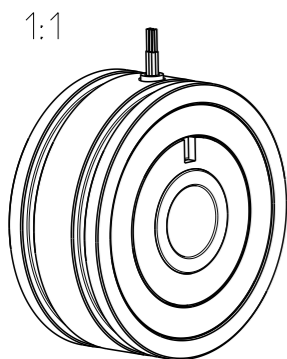
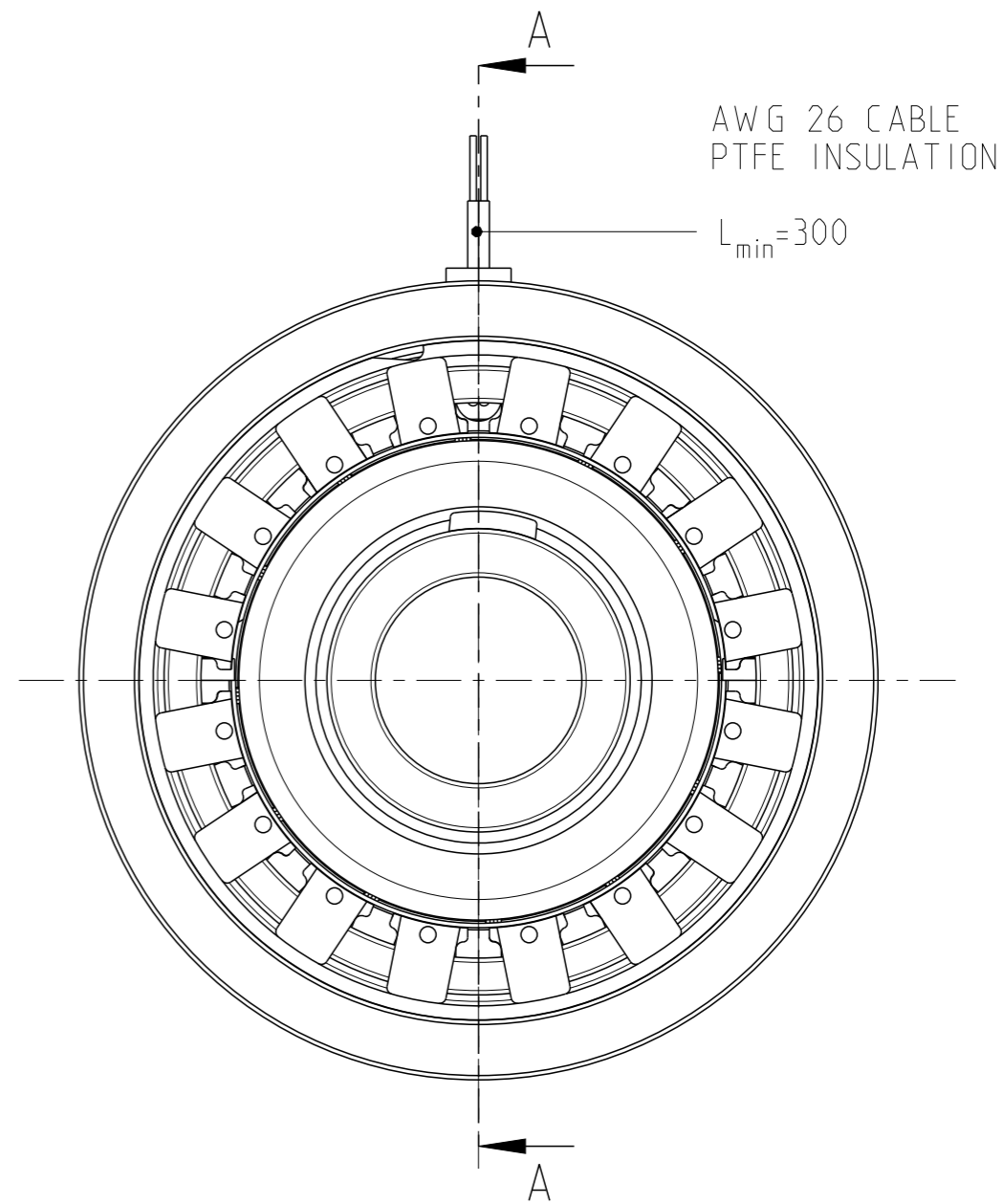
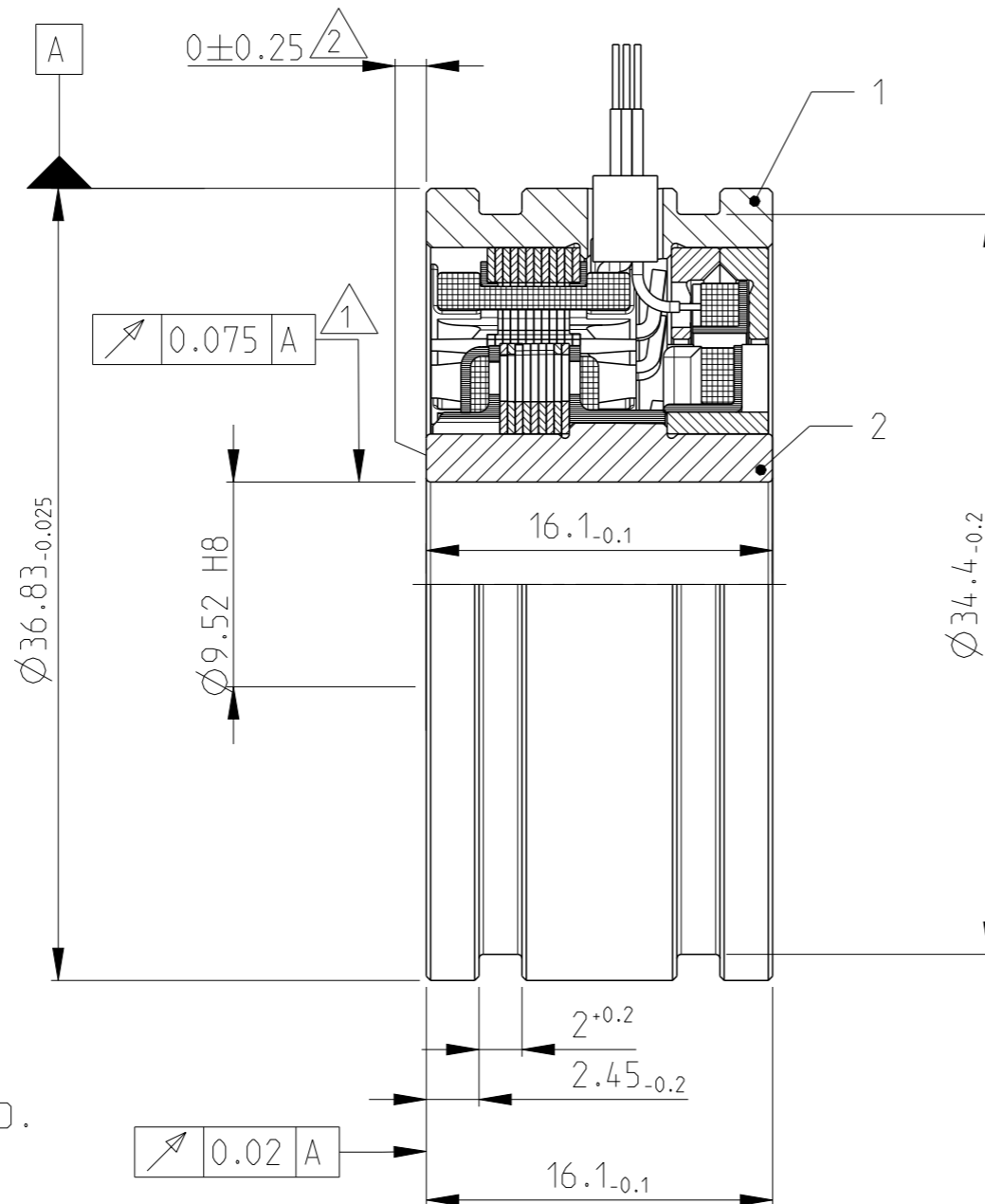


SIGNAL	COLOR
S1	RED
S2	YELLOW
S3	BLACK
S4	BLUE
R1	RED/WHITE
R2	BLACK/WHITE

P	LTR	DESCRIPTION	DATE	DWN	APVD
	C1	INITIAL RELEASE	01JULY2015	GCM	PL
	C2	REVISED PER ECR-22-143117	21JUN2022	GK	HB

9.52 H8 +0.022  
0

A-A

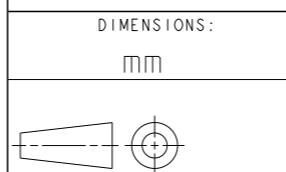


1 TOTAL RUNOUT WHEN INSTALLED.

2 AXIAL OFFSET.

ITEM NO	PARTNUMBER	DESCRIPTION	ITEM NO
1	1-1824833-0	ROT-D1001-B1	2
1	1-1824762-0	STATOR-D1 COMPLETE	1
1-1824903-0	PARTNUMBER	DESCRIPTION	ITEM NO
REVISION OF EACH ASSY NO. (WHEN BLANK, USE DWG. REVISION)			
PARTS LIST			

THIS DRAWING IS A CONTROLLED DOCUMENT.



MATERIAL: -  
FINISH: -

DIMENSIONS:	TOLERANCES UNLESS OTHERWISE SPECIFIED:
mm	
0 PLC	±
1 PLC	±
2 PLC	±
3 PLC	±
4 PLC	±
ANGLES	±1°
FINISH	-

DWN	01JULY2015
CHK	GANESH C M
APVD	01JULY2015
PRODUCT SPEC	P. LERCHENFELD
APPLICATION SPEC	P. LERCHENFELD
WEIGHT	-
CUSTOMER DRAWING	

		TE Connectivity	
NAME: RESOLVER SIZE 15 V23401-D1001-B102			
SIZE	CAGE CODE	DRAWING NO	RESTRICTED TO
A3	00779	C=1393047-3	-
SCALE: 3:1		SHEET: 1 OF 1	REV: C2