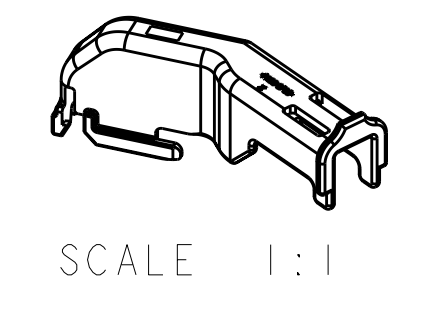
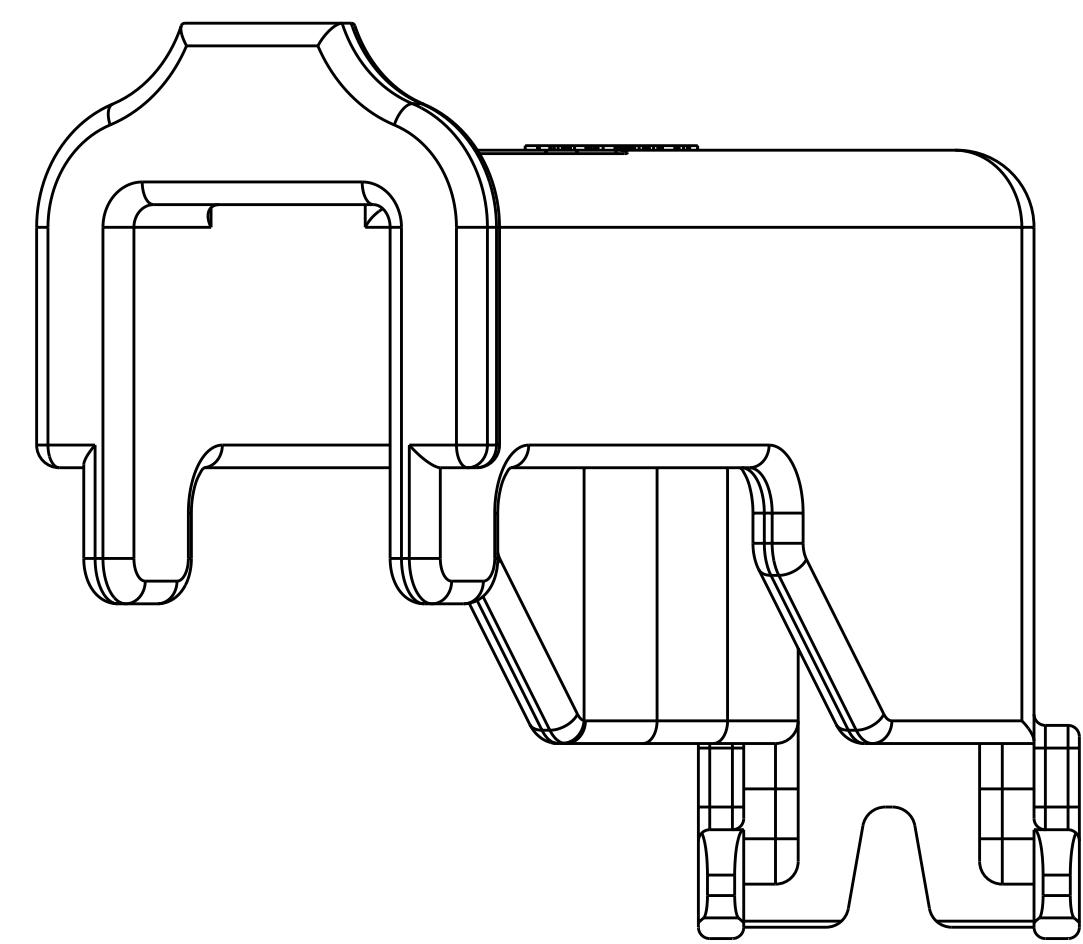
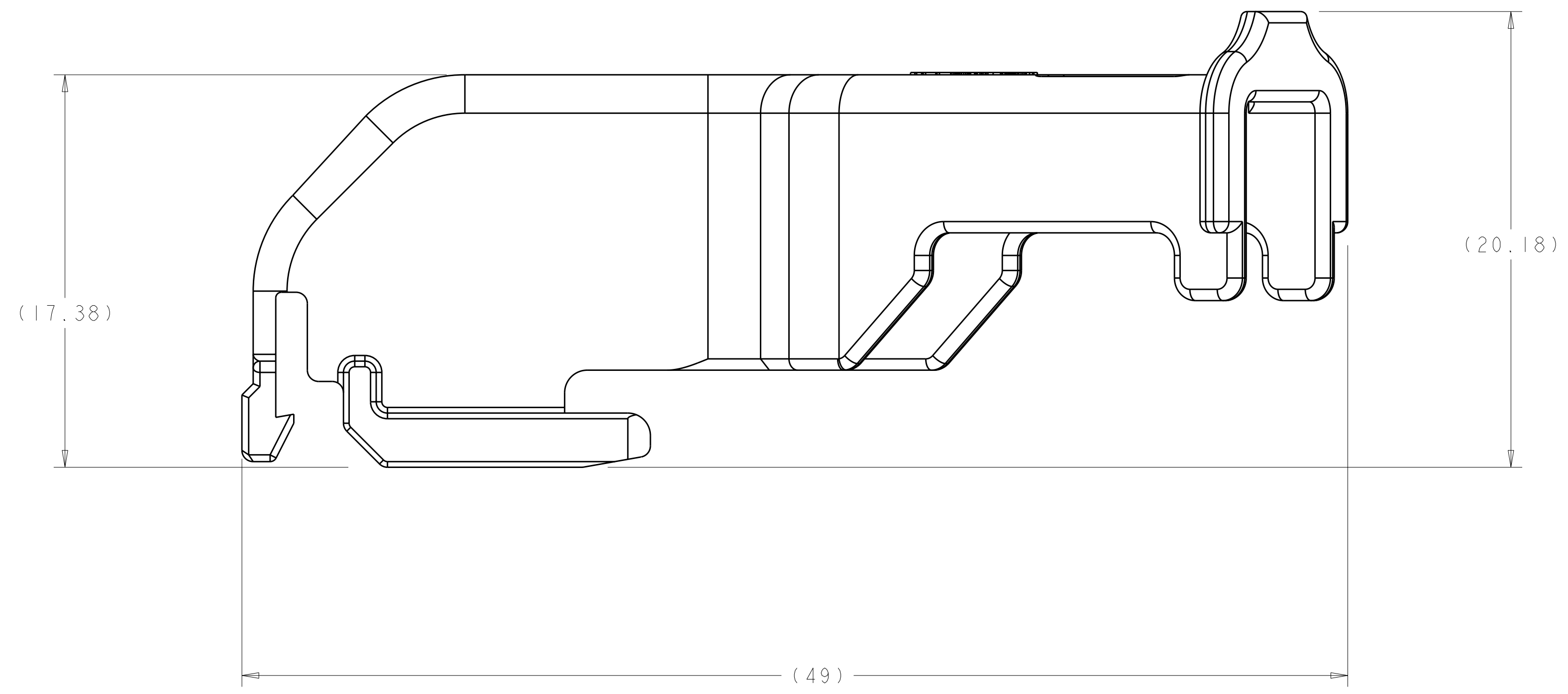
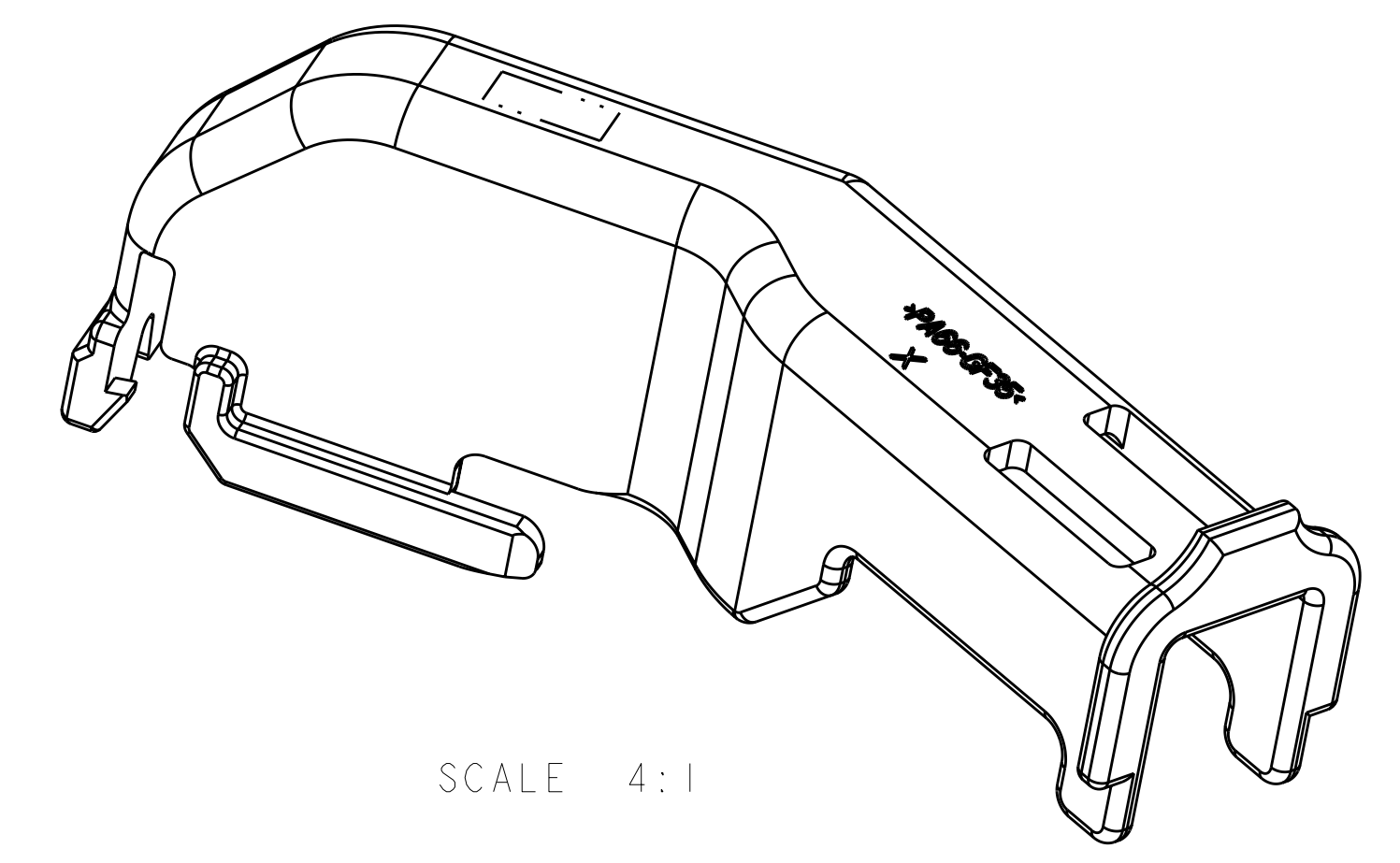
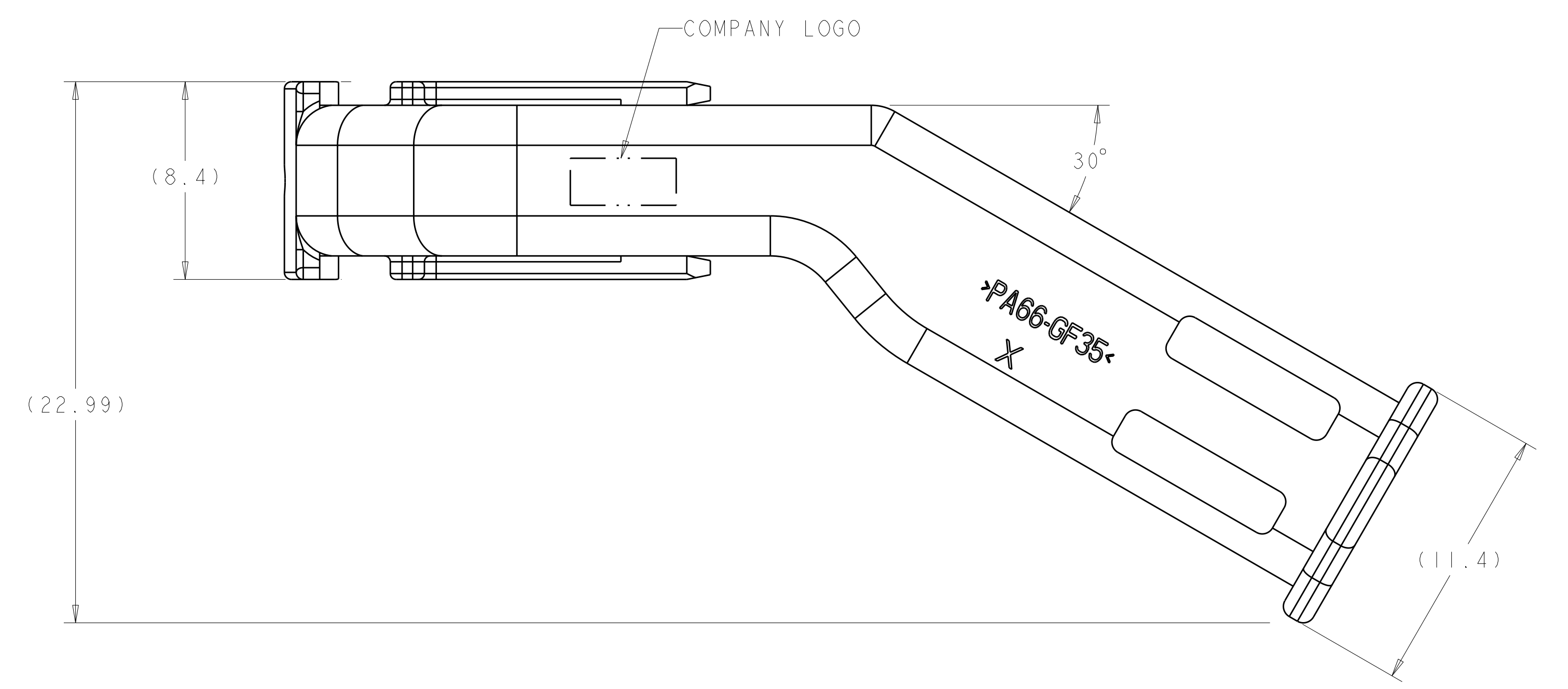


LOC	DIST	REVISIONS			
P	LTB	DESCRIPTION	DATE	DWN	APVD
2		REMOVE NOTE 1	09NOV2004	VS	HB
3		UPDATED MODEL	23AUG2005	WH	HB
A		RELEASED PER ECR-05-011075	14SEP2005	WH	HB
A1		REV PER ECR-10-012906	24JUN2010	VSS	DZ

1. THIS WIRE DRESS COVER MATES WITH CONNECTOR ASSEMBLY 1326942-1.



PA66-GF35	BLACK	1326941-1
MATERIAL	COLOR	PART NO.

DIMENSIONS: mm 		TOLERANCES UNLESS OTHERWISE SPECIFIED: 0 PLC ± 1 PLC ±0.3 2 PLC ±0.10 3 PLC ± 4 PLC ± ANGLES ±° FINISH -		DWN VJC SLACK 05NOV2004 CBY HOY BECK 05NOV2004 APVD HOY BECK 05NOV2004 PRODUCT SPEC - APPLICATION SPEC - WEIGHT - CUSTOMER DRAWING		Tyco Electronics Harrisburg, PA 17105-3608 NAME ANGLD WIRE DRESS COVER SIZE CAGE CODE DRAWING NO A100779C=1326941 SCALE 6:1 SHEET 1 OF 1 REV A1	
-----------------------	--	---	--	--	--	--	--